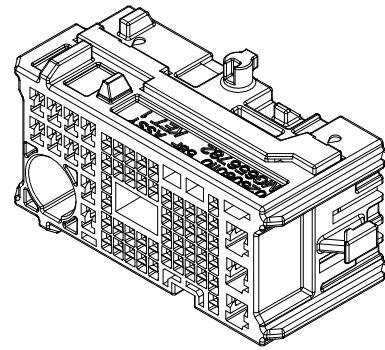


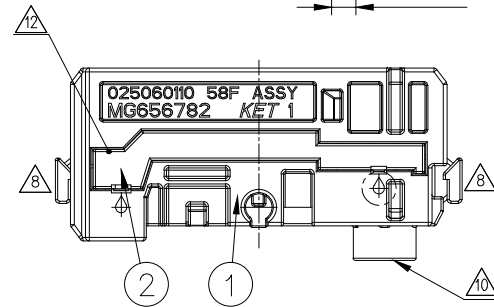
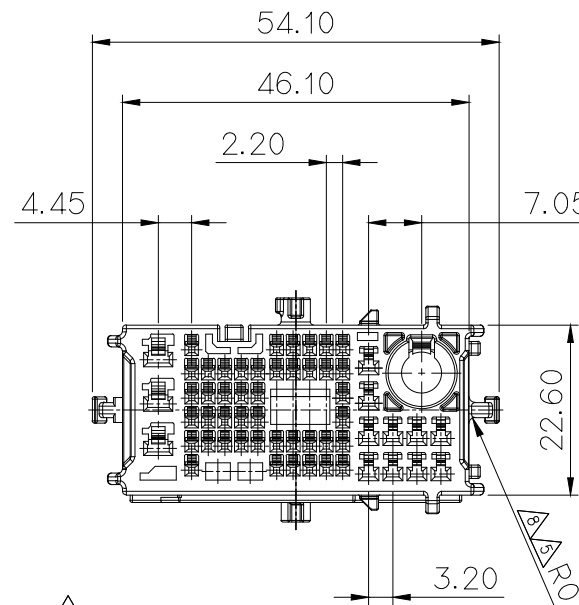
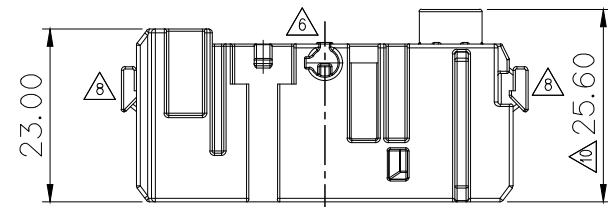
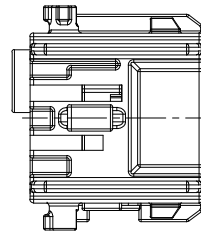
PART NO. SEE TABLE



ISO VIEW

CUSTOMER DRAWING

NO.	MATERIAL	COLOR
* 0	PBT	NATURAL
1		RED
* 2		BLUE
20		JADE
3		YELLOW
4		GRAY
40		DARK GRAY
41		LIGHT GRAY
5		BLACK
6		DARK GREEN
7		BROWN
8	LIGHT GREEN	
9	MAGENTA	
11	ORANGE	

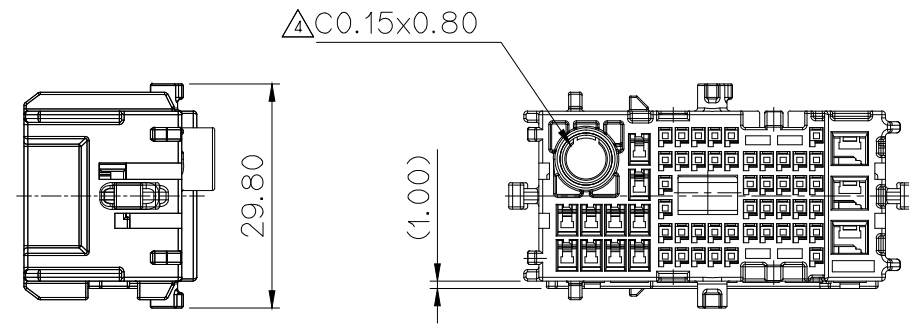


GENERAL TOLERANCE (HOUSING)

10MAX	30MAX	50MAX	70MAX	100MAX	120MAX	250MAX	250VR	ANGLE	ECCENT	USED ON
±0.15	±0.20	±0.30	±0.40	±0.50	±0.75	±0.90	±1.4	±30'	0.1	

NOTE

- MUST BE FREE OF FLASH, WELDLINE AND IMPERFECTION THAT AFFECT FUNCTION.
- APPLICABLE TERMINAL(O25II) : ST731374-3, ST731375-3, ST731374-G, ST731375-G  
 APPLICABLE TERMINAL(N060) : ST731334-3, ST731335-3, ST731336-3  
 ST731486-3, ST731478-3  
 APPLICABLE TERMINAL(110) : ST731279-3, ST731280-3, ST731281-3  
 ST731481-3, ST731480-3  
 APPLICABLE TERMINAL(FAKRA) : SEE TABLE  
 APPLICABLE CONNECTOR : MG645912, MG646224  
 APPLICABLE LEVER : MG635742
- 6 HAZARDOUS SUBSTANCES IN PARTS (LEAD, MERCURY, CADMIUM, HEXAVALENT CHROMIUM, PBBs, PBDEs) SHALL NOT EXCEED THE MAXIMUM PERMISSIBLE CONCENTRATION PRESCRIBED UNDER EU ELV DIRECTIVE & RoHS REGULATION.



NO.	PART NAME	PART NO.	MATERIAL	COLOR	QTY.
1	025060110 58F HOUSING	MG676398 MG676398-2	PBT	SEE TABLE	1
2	025060110 58F SPACER	MG676396	PBT	YELLOW	1

FAKRA TM'L 별 적용 HS'G ASSY PART NO.

FAKRA TM'L 기준	FAKRA TM'L PART NO.	HS'G ASSY PART NO.
가공형	MALE KR30301-20 (Au+Sn PLATE) KR30201-20 KR00404-20	MG645912
	FEMALE KR20301-20 2(Au+Sn PLATE) 3KR20202-20 KR00404-20	MG656782
프레스형	MALE KR30301-20 (Au+Sn PLATE) KR30202-20 KR00406-20 3KR00408-20	MG646224 13MG646384
	FEMALE KR20301-20 (Au+Sn PLATE) KR20203-20 KR00406-20 3KR00408-20	MG656782

주 기

- 기능상 유해한 BURR 및 WELDLINE 등이 없을 것.
- 적용 TERMINAL(O25II) : ST731374-3, ST731375-3, ST731374-G, ST731375-G  
 적용 TERMINAL(N060) : ST731334-3, ST731335-3, ST731336-3  
 ST731486-3, ST731478-3  
 적용 TERMINAL(110) : ST731279-3, ST731280-3, ST731281-3  
 ST731481-3, ST731480-3  
 적용 TERMINAL(FAKRA) : SEE TABLE  
 적용 CONNECTOR : MG645912, MG646224  
 적용 LEVER : MG635742
- 제품내 함유된 6대 유해물질 (납, 수은, 카드뮴, 6가크롬, PBBs, PBDEs)은 EU ELV 지침 및 RoHS 법규에서 지정한 최대 허용 농도를 초과해서는 안된다.

**APPROVED**  
2020-12-24  
KOREA ELECTRIC TERMINAL CO., LTD.  
Korea Electric Terminal Co., LTD.

ISSUE MARK

REVISION	REVISION	DATE	DR.	CHK.	APP.	DATE	TOLERANCE EXCEPT AS NOTED	SCALE	PART NO.
1	플래이트 헤제 돌기부 강성 보강 설계사양변경(ECO-1512-140) 근거 도면 제작성	HYJ	SUK			15.12.08	MATERIAL	SEE TABLE	KOREA ELECTRIC TERMINAL CO., LTD. KINET ENGINEERED
2	FAKRA 단자 삽입장 개선 설계사양변경(ECO-1511-251) 근거 도면 제작성	HYJ	SUK			15.11.13	FINISH	SEE TABLE	
3	FAKRA 단자 사양 변경 설계사양변경(ECO-1510-029) 근거 도면 제작성	HYJ	SUK			15.10.02	WIRE RANGE		CLASS HYBRID
4	FAKRA 단자 금도금 사양 각인 추가 설계사양변경(ECO-1508-209) 근거 도면 제작성	HYJ	SUK			15.08.20	INSULATION		TYPE 025/060/110/FAKRA
5	FAKRA 플랜 추가 / 릴리 추가 설계사양변경(ECO-1506-067) 근거 도면 제작성	HYJ	LSY			15.06.11			
LTR	REVISION RECORD	DR.	CHK.	APP.	DATE				
DR.	HYJ	2015.02.02	CHK.				SEE TABLE	1/1	MG656782 MG656782-2
CHK.			APP.	LSY			PART NAME		025060110 58F ASSY(FAKRA)

DIMENSIONS IN MM