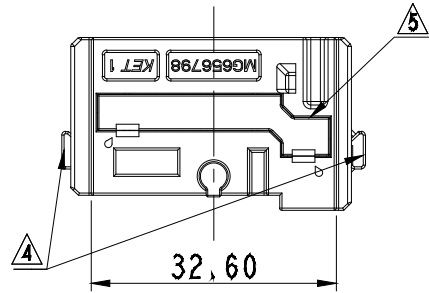
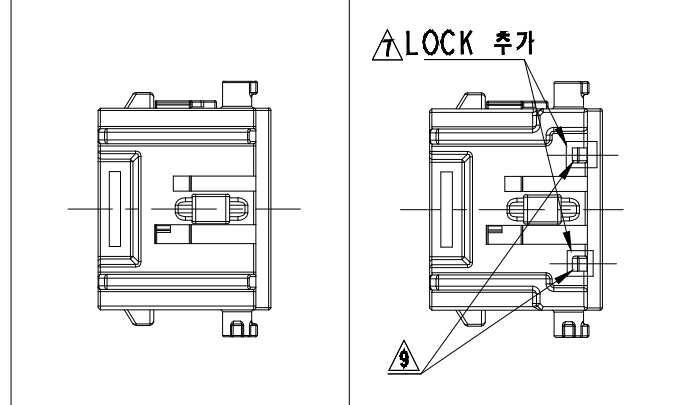
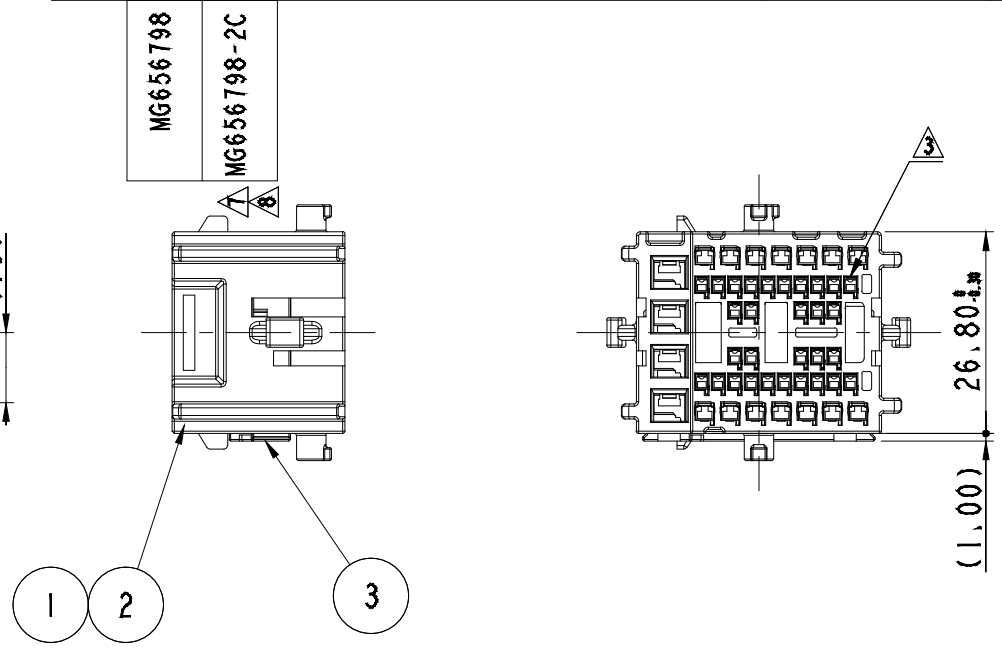


025060110 48F ASSY		025060110 48F ASSY(COVER)	
PART NO.	MG656798	PART NO.	MG656798-2C
MATERIAL	PBT	MATERIAL	PBT
COLOR	SEE TABLE	COLOR	SEE TABLE
적용 LEVER	MG635751	적용 LEVER	MG635751-5C



GENERAL TOLERANCE (HOUSING)										USED ON
10 MAX	30 MAX	50 MAX	70 MAX	100 MAX	120 MAX	250 MAX	250 VR	ANGLE	ECCENT	
±0.15	±0.2	±0.3	±0.4	±0.5	±0.75	±0.9	±1.4	±30'	0.1	

NO.	QTY.	PART NAME	PART NO.	MATERIAL	COLOR	QTY.
1	1	025060110 48F HOUSING	MG676479	PBT	SEE TABLE	1
2	-	025060110 48F HOUSING (COVER TYPE)	MG677891-2	PBT	BLUE	1
3	1	025060110 48F SPACER	MG676480-3	PBT	YELLOW	1



NO.	MATERIAL	COLOR
0	P B T	NATURAL
1		RED
2		BLUE
20		JADE
3		YELLOW
4		GRAY
40		DARK GRAY
41		LIGHT GRAY
5		BLACK
6		DARK GREEN
7		BROWN
8	LIGHT GREEN	
9	MAGENTA	
11	ORANGE	

NOTE
 1. MUST BE FREE OF FLASH, WELDLINE AND IMPERFECTION THAT AFFECT FUNCTION.
 2. APPLICABLE TERMINAL(C025) : ST731409-3, 1410-3, 1409-G, 1410-G
 APPLICABLE TERMINAL(C060) : ST731411-3, 1412-3, 1413-3
 APPLICABLE TERMINAL(110) : ST731279-3, 1280-3, 1281-3
 APPLICABLE CONNECTOR : MG645940, MG646376, MG646377, MG646376-2C
 APPLICABLE LEVER: MG635751, MG635751-5C
 3. 6 HAZARDOUS SUBSTANCES IN PARTS (LEAD, MERCURY, CADMIUM, HEXAVALENT CHROMIUM, PBBs, PBDEs) SHALL NOT EXCEED THE MAXIMUM PERMISSIBLE CONCENTRATION PRESCRIBED UNDER EU ELV DIRECTIVE & RoHS REGULATION.



- 주 기**
- 가능상 유해한 BURR 및 WELDLINE 등이 없을 것.
 - 적용 TERMINAL(C025) : ST731409-3, 1410-3, 1409-G, 1410-G
 적용 TERMINAL(C060) : ST731411-3, 1412-3, 1413-3
 적용 TERMINAL(110) : ST731279-3, 1280-3, 1281-3
 적용 CONNECTOR : MG645940, MG646376, MG646377, MG646376-2C
 적용 LEVER: MG635751, MG635751-5C
 - 제품내 함유된 6대 유해물질 (납, 수은, 카드뮴, 6가크롬, PBBs, PBDEs)은 EU ELV 지침 및 RoHS 법규에서 지정한 최대 허용 농도를 초과해서는 안된다.

LTR	REVISION RECORD	DR.	CHK.	APP.	DATE
9	ECO-2110-177 근거 도면 제작성 (케이블 포함 개안)	KJC	WDH	CMS	21/10/21
8	ECO-2103-047 근거 도면 제작성 (포도피막 포함 변경)	KJC	WDH	CMS	21/03/05
7	ECO-2102-277 근거 도면 제작성 (WIRE COVER 사형 추가)	KJC	WDH	CMS	21/02/15
6	ECO-1910-083 근거 도면 제작성 (CLIP LH, RH 사형 추가)	CYK	WDH	CMS	19/10/16

ECO-1805-070 근거 도면 제작성	SY, L	HYJ	CJH	18/05/08
ECO-1802-306 근거 도면 제작성	LND	HYJ	CJH	18/02/28
ECO-1708-243 근거 도면 제작성	SY, L	KMH	CJH	17/08/21
ECO-1706-145 근거 도면 제작성	MSJ	KMH	CJH	17/06/13
ECO-1604-120 근거 도면 제작성	CHW	HYJ	SUK	16/04/11
검보 합격에 따른 도면 제작성	KSL	KMH	BIN	16/01/15
LTR REVISION RECORD DR, CHK, APP, DATE				
DR, KSJ 2015.07.27		CHK, KMH 2015.07.27		
CHK,		APP, BIN 2015.07.27		

MATERIAL	SEE TABLE	K E T ENGINEERED KOREA ELECTRIC TERMINAL CO., LTD.
FINISH	SEE TABLE	
WIRE RANGE	-	CLASS HYBRID
INSULATION	-	TYPE 025/060/110
TOLERANCE EXCEPT AS NOTED	SEE TABLE	SCALE 1/1
PART_NAME	025060110 48F ASSY	