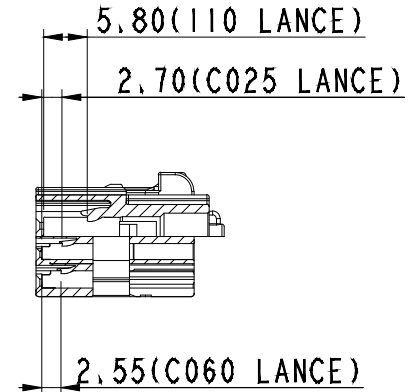
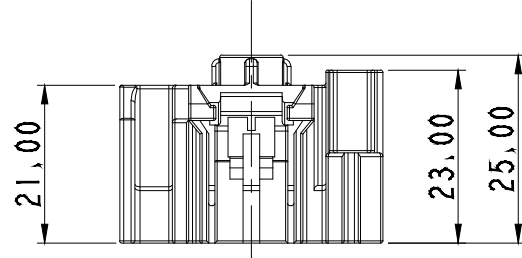
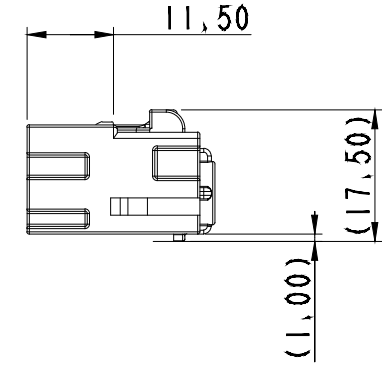
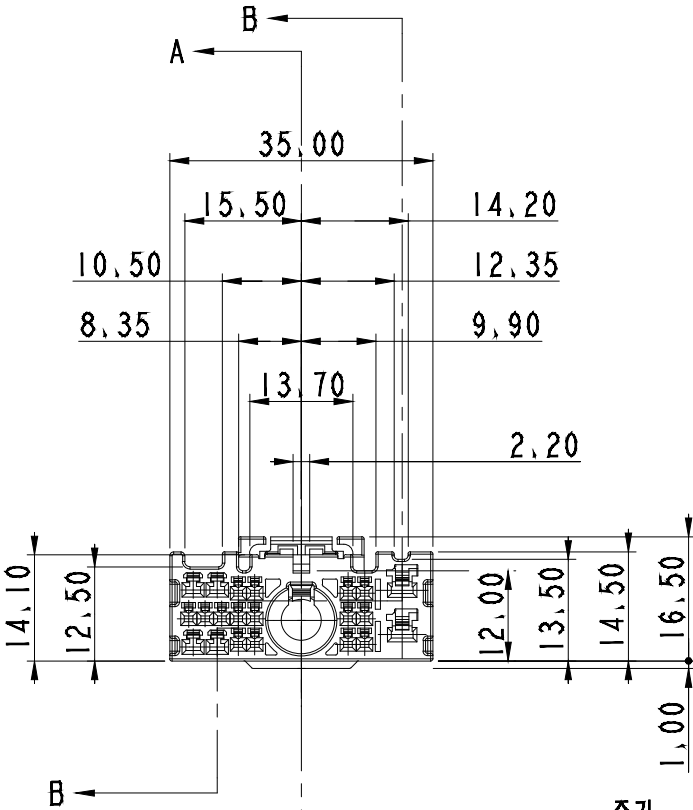


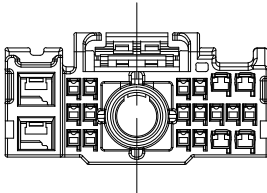
GENERAL TOLERANCE (HOUSING)										USED ON
10 MAX	30 MAX	50 MAX	70 MAX	100 MAX	120 MAX	250 MAX	250 VR	ANGLE	ECCENT	
±0.15	±0.2	±0.3	±0.4	±0.5	±0.75	±0.9	±1.4	±30'	0.1	



SECTION B-B



NO.	MATERIAL	COLOR
0	P B T	NATURAL
1		RED
2		BLUE
20		JADE
3		YELLOW
4		GRAY
40		DARK GRAY
41		LIGHT GRAY
5		BLACK
6		DARK GREEN
7		BROWN
8	LIGHT GREEN	
9	MAGENTA	
11	ORANGE	



NOTE

- MUST BE FREE OF FLASH, WELDLINE AND IMPERFECTION THAT AFFECT FUNCTION.
- 6 HAZARDOUS SUBSTANCES IN PARTS (LEAD, MERCURY, CADMIUM, HEXAVALENT CHROMIUM, PBBs, PBDEs) SHALL NOT EXCEED THE MAXIMUM PERMISSIBLE CONCENTRATION PRESCRIBED UNDER EU ELV DIRECTIVE & RoHS REGULATION.
- APPLICABLE TERMINAL(C025) ; ST731409, ST731410  
 APPLICABLE TERMINAL(C060) ; ST731411, ST731412, ST731413  
 APPLICABLE TERMINAL(110) ; ST731279, ST731280, ST731281  
 APPLICABLE TERMINAL(FAKRA) ; KR20202-20, KR20301-20(Au+Sn Plate), KR00404-20  
 APPLICABLE SPACER ; MG676599-3

주 기

- 기능상 유해한 BURR 및 WELDLINE 등이 없을 것.
- 제품내 함유된 6대 유해물질 (납, 수은, 카드뮴, 6가크롬, PBBs, PBDEs) 은 EU ELV 지침 및 RoHS 법규에서 지정한 최대 허용 농도를 초과해서 는 안된다.
- 적용 TERMINAL(C025) ; ST731409, ST731410  
 적용 TERMINAL(C060) ; ST731411, ST731412, ST731413  
 적용 TERMINAL(110) ; ST731279, ST731280, ST731281  
 적용 TERMINAL(FAKRA) ; KR20202-20, KR20301-20(Au+Sn Plate), KR00404-20  
 적용 SPACER ; MG676599-3



ISSUE MARK

NO	PART NO.	PART NAME	MATERIAL	FINISH	Q'TY	REMARK
1	MG676600	C025060110 FAKRA 22F HOUSING	PBT	NATURAL	1	-
2	MG676599-3	C025060110 FAKRA 22F SPACER	PBT	YELLOW	1	-

MATERIAL	SEE TABLE	
FINISH	SEE TABLE	
WIRE RANGE	CLASS	C025/C060/110/FAKRA
INSULATION	TYPE	비방수
TOLERANCE EXCEPT AS NOTED	SEE TABLE	SCALE 1/1
PART_NAME	C025060110 FAKRA 22F ASSY	