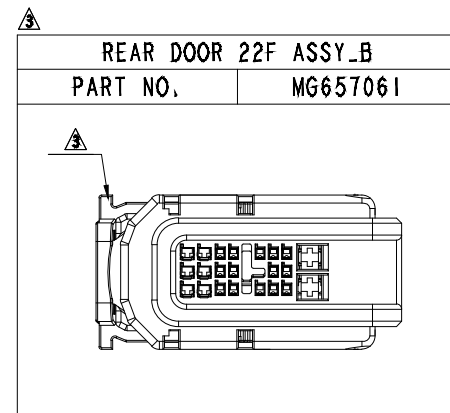
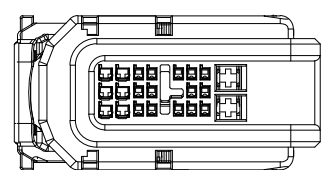
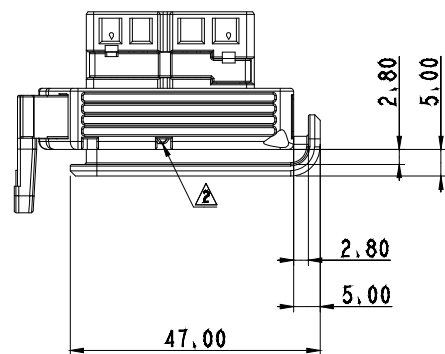
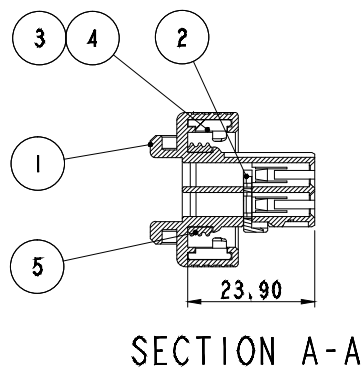
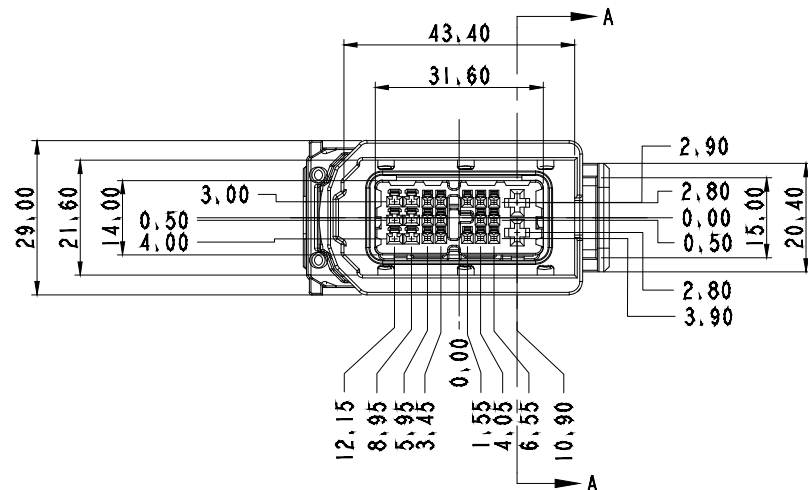


No.			PART NAME	PART No.	MATERIAL	COLOR	QTY.
1	1	1	REAR DOOR 22F HOUSING	MG676619	PBT	BLACK	1
2	1	1	REAR DOOR 22F SPACER	MG676620	PBT	L/GRAY	1
3	1	-	REAR DOOR 22F SLIDE	MG676621	PBT-GF30	BLACK	1
4	-	1	REAR DOOR 22F SLIDE_B	MG677347	PBT-GF30	BLACK	1
5	1	1	REAR DOOR 22F INNER SEAL	R603416	SILICON	RED	1

MG656854  
MG657061

NO.	MATERIAL	COLOR
0	PBT	NATURAL
1		RED
2		BLUE
20		JADE
3		YELLOW
4		GRAY
40		DARK GRAY
41		LIGHT GRAY
* 5		BLACK
6		DARK GREEN
7		BROWN
8	LIGHT GREEN	
9	MAGENTA	
11	ORANGE	



주 기

1. 기능상 유해한 BURR 및 WELDLINE 등이 없을 것.
2. 적용 TERMINAL(C025) : ST731409, 1410  
적용 TERMINAL(C060) : ST731411, 1412, 1413,  $\Delta$ 1479,  $\Delta$ 1487  
적용 TERMINAL(N110) : ST731424, 1425, 1426,  $\Delta$ 1482,  $\Delta$ 1483,  $\Delta$ 1495  
적용 CONNECTOR : MG646002
3. 제품내 함유된 6대 유해물질 (납,수은,카드뮴,6가크롬, PBBs, PBDEs)은 EU ELV 지침 및 RoHS 법규에서 지정한 최대 허용 농도를 초과해서는 안된다.

NOTE

1. MUST BE FREE OF BURR, WELDLINE AND IMPERFECTION THAT AFFECT FUNCTION.
2. APPLICABLE TERMINAL(C025) : ST731409, 1410  
APPLICABLE TERMINAL(C060) : ST731411, 1412, 1413,  $\Delta$ 1479,  $\Delta$ 1487  
APPLICABLE TERMINAL(N110) : ST731424, 1425, 1426,  $\Delta$ 1482,  $\Delta$ 1483,  $\Delta$ 1495  
APPLICABLE CONNECTOR : MG646002
3. 6 HAZARDOUS SUBSTANCES IN PARTS (LEAD, MERCURY, CADMIUM, HEXAVALENT CHROMIUM, PBBs, PBDEs) SHALL NOT EXCEED THE MAXIMUM PERMISSIBLE CONCENTRATION PRESCRIBED UNDER EU ELV DIRECTIVE & RoHS REGULATION.

APPROVED

2019-12-02

KOREA ELECTRIC TERMINAL CO., LTD.  
Korea Electric Terminal Co., LTD.

ISSUE MARK

ECO-1910-061 근거 도면 제작성	SKH	CSH	CJH	19.10.08	MATERIAL	SEE TABLE	KETA ENGINEERED KOREA ELECTRIC TERMINAL CO., LTD.	
ECO-1812-153 근거 도면 제작성	STJ	HYJ	CJH	18.12.13	FINISH	SEE TABLE		
ECO-1812-059 근거 도면 제작성	PLA	WHA	CMS	18.12.05	WIRE RANGE		CLASS 025/060/110	
ECO-1805-348 근거 도면 제작성	NSJ	WJA	CJH	18.06.25	INSULATION		TYPE 비병수	
ECO-1802-180 근거 도면 제작성	NSB	WJT	CJH	18.02.26	DR.	JDR	DATE 2016.02.23	
ECO-1701-212 근거 도면 제작성	CHB	LJB	SUK	17.01.10	CHK.	LJE	DATE 2016.02.24	
LTR REVISION RECORD				DR.	CHK.	APP.	DATE	
DR. JDR 2016.02.23				CHK. LJE	2016.02.24		DATE	
CHK.				APP. BIN	2016.02.24		DATE	
PART_NAME							SCALE	PART NO.
REAR DOOR 22F ASSY							1/1	MG656854