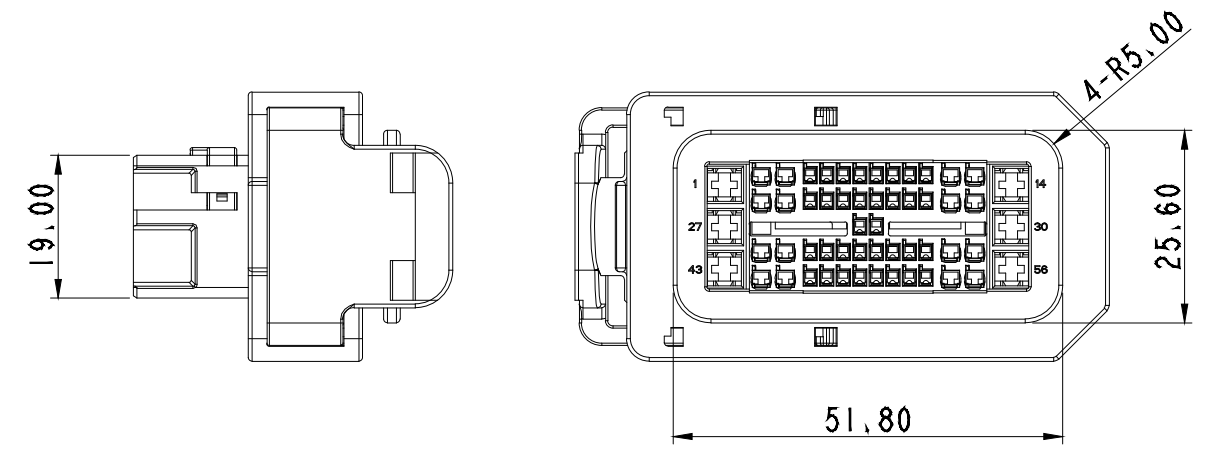
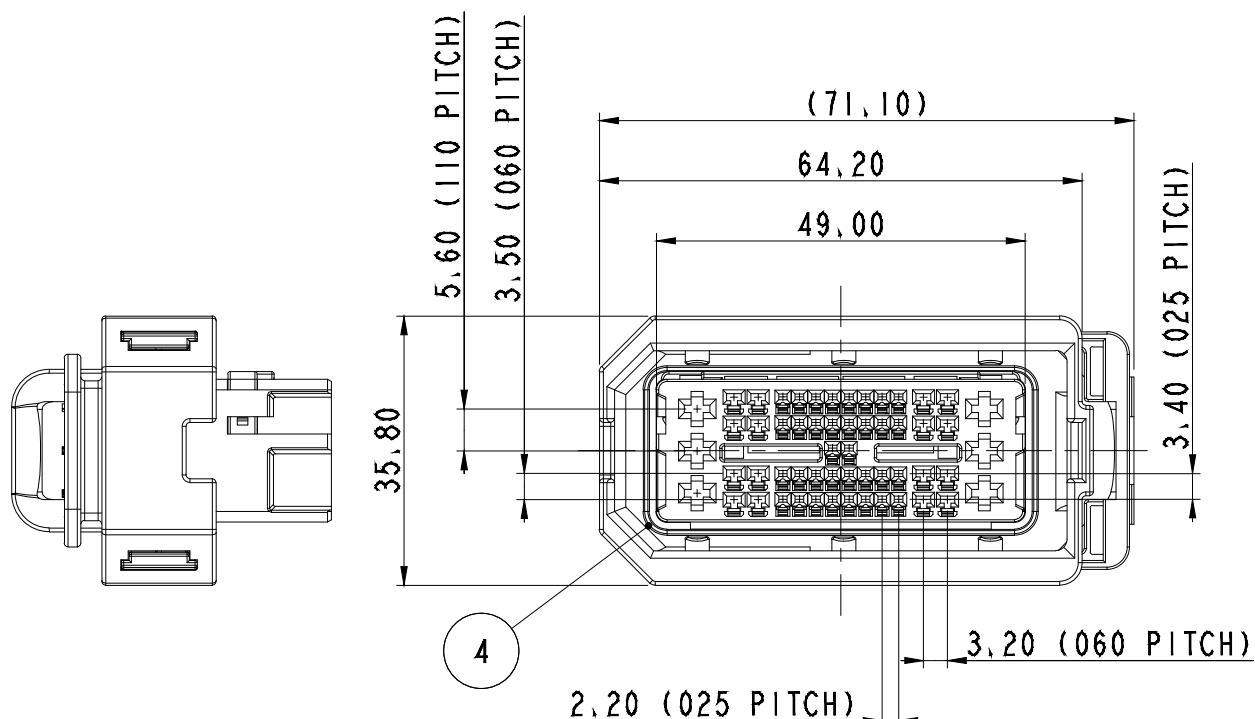
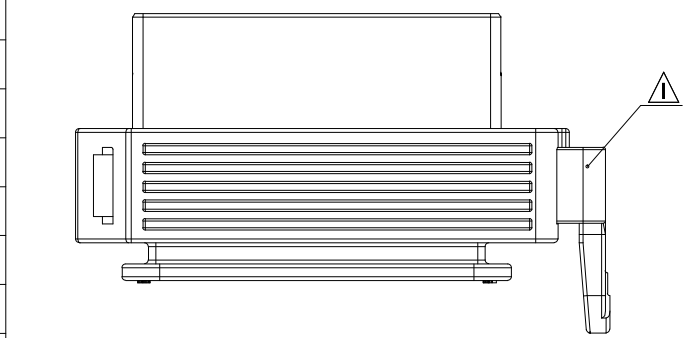


GENERAL TOLERANCE (HOUSING)										USED ON
10 MAX	30 MAX	50 MAX	70 MAX	100 MAX	120 MAX	250 MAX	250 VR	ANGLE	ECCENT	
±0.15	±0.2	±0.3	±0.4	±0.5	±0.75	±0.9	±1.4	±30'	0.1	

NO.	PART NAME	PART NO.	MATERIAL	COLOR	Q'TY
1	FRONT DOOR 56F HOUSING	MG676661	PBT	SEE TABLE	1
2	FRONT DOOR 56F SPACER	MG676662-41	PBT	L/GRAY	1
3	FRONT DOOR 56F SLIDE	MG676663-5	△△POM	BLACK	1
4	FRONT DOOR 56F INNER SEAL	R603456	SILICON	RED	1



NO.	MATERIAL	COLOR
0	P B T	NATURAL
1		RED
2		BLUE
20		JADE
3		YELLOW
4		GRAY
40		DARK GRAY
41		LIGHT GRAY
5		BLACK
6		DARK GREEN
7		BROWN
8	LIGHT GREEN	
9	MAGENTA	
11	ORANGE	



주
1. 기능상 유해한 BURR 및 WELDLINE 등이 없을 것,
2. 적용 TERMINAL(C025) ; ST731409-3, ST731410-3, ST731409-G, ST731410-G
적용 TERMINAL(C060) ; ST731411-3, ST731412-3, ST731413-3, ST731411-G, ST731412-G, ST731413-G
적용 TERMINAL(N110) ; ST731424-3, ST731425-3, ST731426-3
적용 CONNECTOR ; MG646018
3. 제품내 함유된 6대 유해물질 (납,수은,카드뮴, 6가크롬, PBBs, PBDEs)은 EU ELV 지침 및 RoHS 법규에서 지정한 최대 허용 농도를 초과해서는 안된다,

NOTE
1. MUST BE FREE OF BURR, WELDLINE AND IMPERFECTION THAT AFFECT FUNCTION.
2. APPLICABLE TERMINAL(C025) ; ST731409-3, ST731410-3, ST731409-G, ST731410-G
APPLICABLE TERMINAL(C060) ; ST731411-3, ST731412-3, ST731413-3, ST731411-G, ST731412-G, ST731413-G
APPLICABLE TERMINAL(N110) ; ST731424-3, ST731425-3, ST731426-3
APPLICABLE CONNECTOR ; MG646018
3. 6 HAZARDOUS SUBSTANCES IN PARTS (LEAD, MERCURY, CADMIUM, HEXAVALENT CHROMIUM, PBBs, PBDEs) SHALL NOT EXCEED THE MAXIMUM PERMISSIBLE CONCENTRATION PRESCRIBED UNDER EU ELV DIRECTIVE & RoHS REGULATION.

ISSUE MARK

* (DIMENSIONS IN MM)

MATERIAL	SEE TABLE								
FINISH	SEE TABLE								
WIRE RANGE		CLASS	C025/C060						
INSULATION		TYPE	-						
LTR	REVISION RECORD	DR.	CHK.	APP.	DATE	TOLERANCE	SCALE	PART NO.	MG656866
	DR. LCK 2016.08.10		CHK. LJE 2016.08.11			SEE TABLE	1/1		
	CHK.		APP. BIN 2016.08.11			PART_NAME			FRONT DOOR 56F ASSY