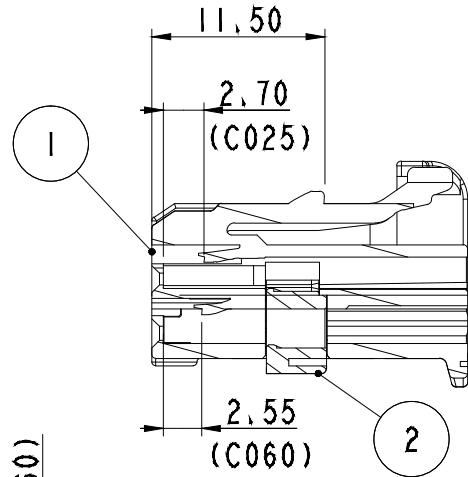
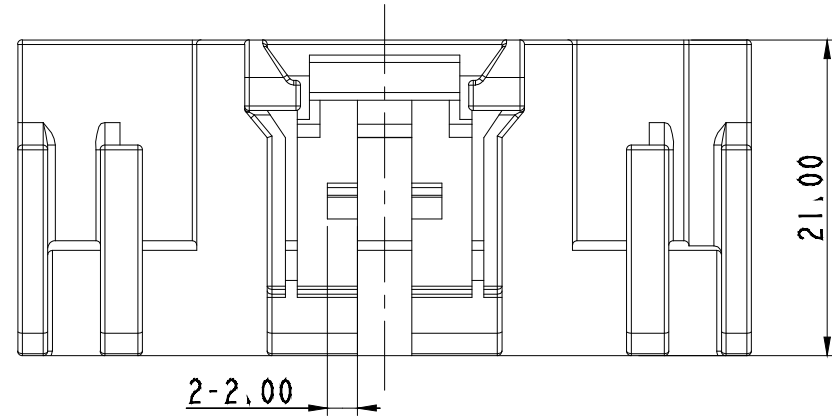


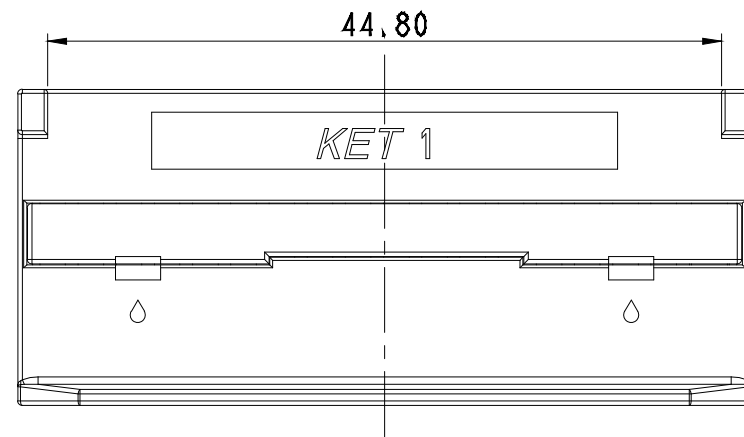
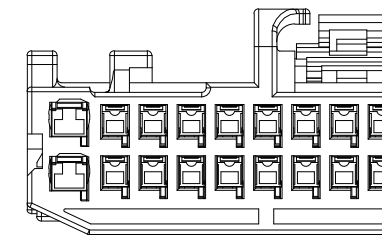
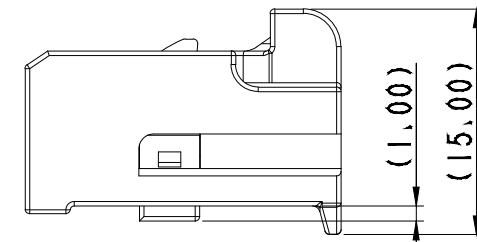
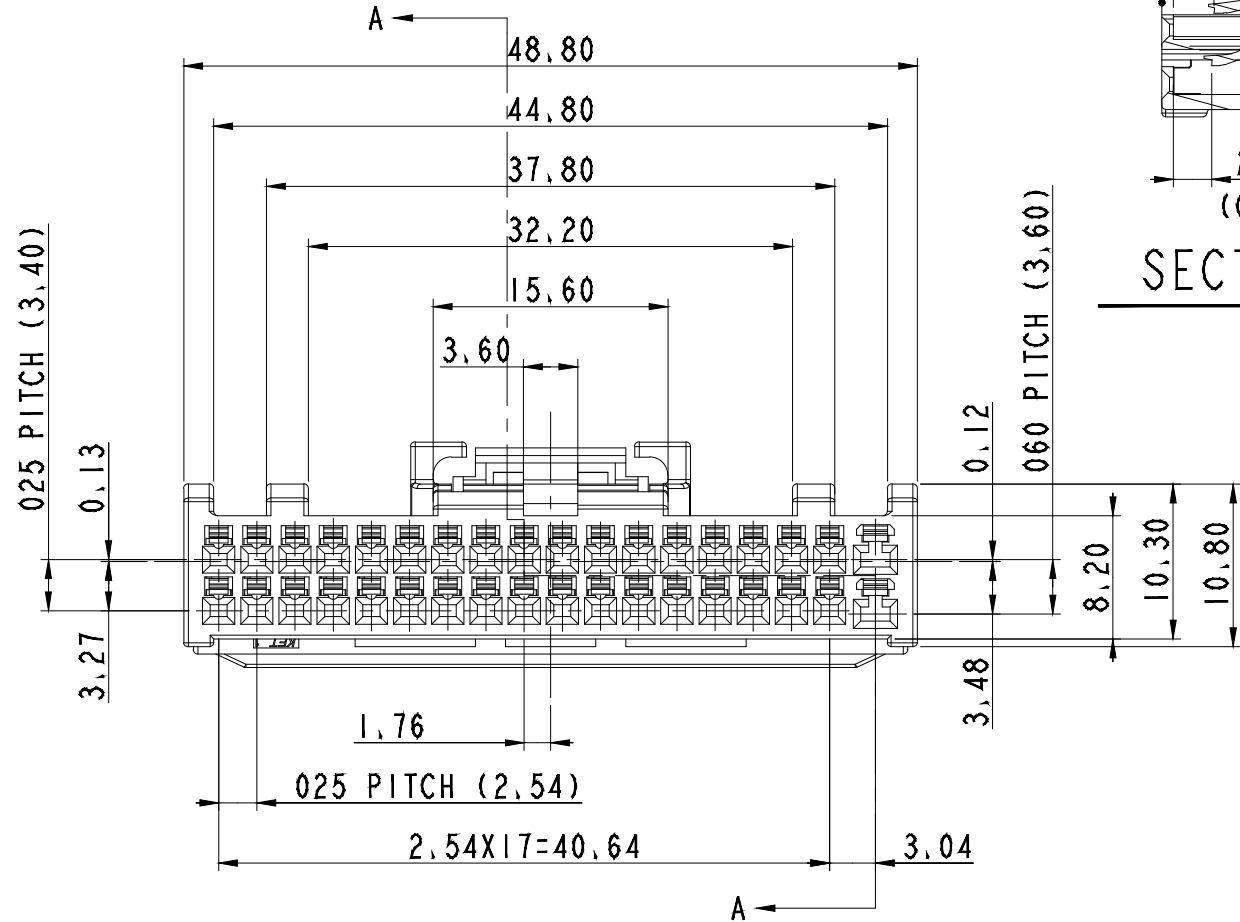
GENERAL TOLERANCE (HOUSING)

10 MAX	30 MAX	50 MAX	70 MAX	100 MAX	120 MAX	250 MAX	250 VR	ANGLE	ECCENT	USED ON
±0.15	±0.2	±0.3	±0.4	±0.5	±0.75	±0.9	±1.4	±30'	0.1	



- 주 기
 1. 기능상 유해한 BURR 및 WELDLINE 등이 없을 것,
 2. 적용 TERMINAL
 C025 ; ST731409-3/G ST731410-3/G
 C060 ; ST731411-3, ST731412-3, ST731413-3
 3. SPACER는 본 도면과 같이 1차 LOCK'G 상태로 유지, 공급될 것
 4. 제품내 함유된 6대 유해물질 (납, 수은, 카드뮴, 6가크롬, PBBs, PBDEs)은 EU ELV 지침 및 RoHS 법규에서 지정한 최대 허용 농도를 초과해서는 안된다,

SECTION A-A



NO.	MATERIAL	COLOR
0	P B T	NATURAL
1		RED
2		BLUE
20		JADE
3		YELLOW
4		GRAY
40		DARK GRAY
41		LIGHT GRAY
5		BLACK
6	DARK GREEN	
7	BROWN	
8	LIGHT GREEN	
9	MAGENTA	

APPROVED
 2019-11-06
 KOREA ELECTRIC
 TERMINAL CO., LTD.
 Korea Electric Te
 rminal Co., LTD.

NOTE

- MUST BE FREE OF BURR, WELDLINE AND IMPERFECTION THAT AFFECT FUNCTION.
- APPLICABLE TERMINAL
 C025 ; ST731409-3/G ST731410-3/G
 C060 ; ST731411-3, ST731412-3, ST731413-3
- THE MOLD DRAWING IN THE SAME WAY, SPACER IS NORMAL CONDITION MAINTANANCE AND SUPPLY WITH FIRST LOCKING.
- 6 HAZARDOUS SUBSTANCES IN PARTS (LEAD, MERCURY, CADMIUM, HEXAVALENT CHROMIUM, PBBs, PBDEs) SHALL NOT EXCEED THE MAXIMUM PERMISSIBLE CONCENTRATION PRESCRIBED UNDER EU ELV DIRECTIVE & RoHS REGULATION.

NO.	PART NO.	PART NAME	MATERIAL	COLOR
1	MG676683-41	C025060 36F HOUSING	PBT	L/GRAY
2	MG676684-3	C025060 36F SPACER	PBT	YELLOW

		MATERIAL	SEE TABLE	KET KOREA ELECTRIC ENGINEERED TERMINAL CO., LTD.
		FINISH	SEE TABLE	
		WIRE RANGE	-	
		INSULATION	-	CLASS C025/C060
⚠ Housing 및 Spacer 색상 변경 (ECO-1609-059 근거) LTR REVISION RECORD DR, PJH 16.05.19 CHK,		LKS SSH BIN 16.12.01 DR, CHK, APP, DATE CHK, LJE 16.05.23 APP, BIN 16.05.23	TOLERANCE EXCEPT AS NOTED SEE TABLE SCALE 2/1	TYPE 비방수 PART NO. MG656874-41 PART_NAME C025060 36F ASSY

ISSUE MARK