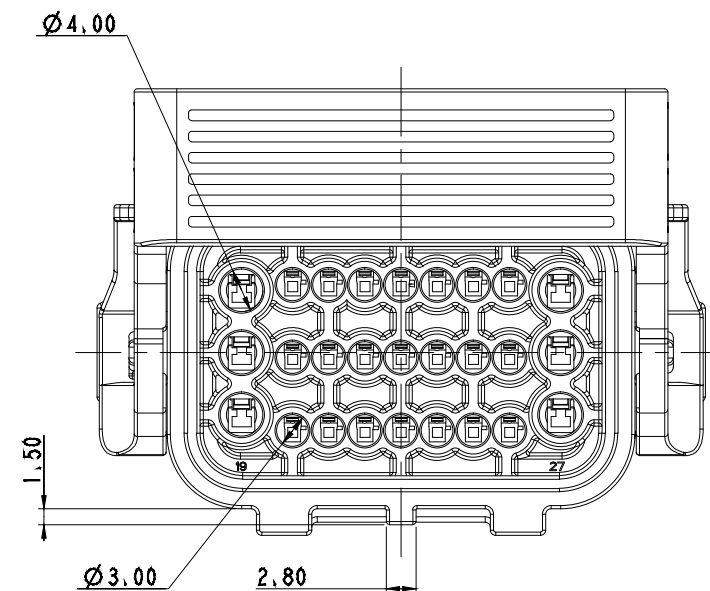
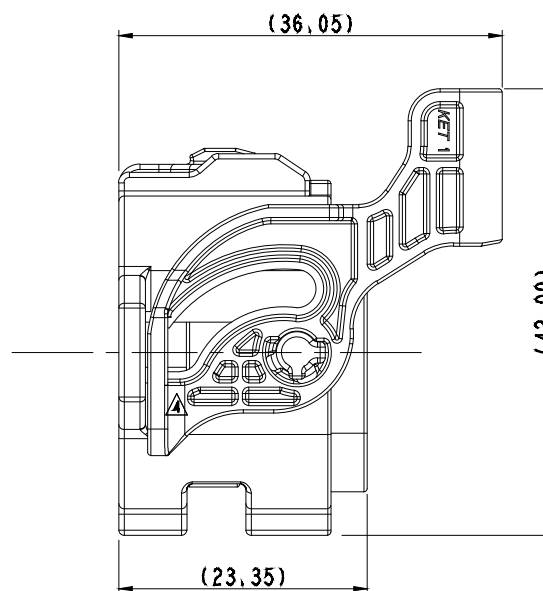
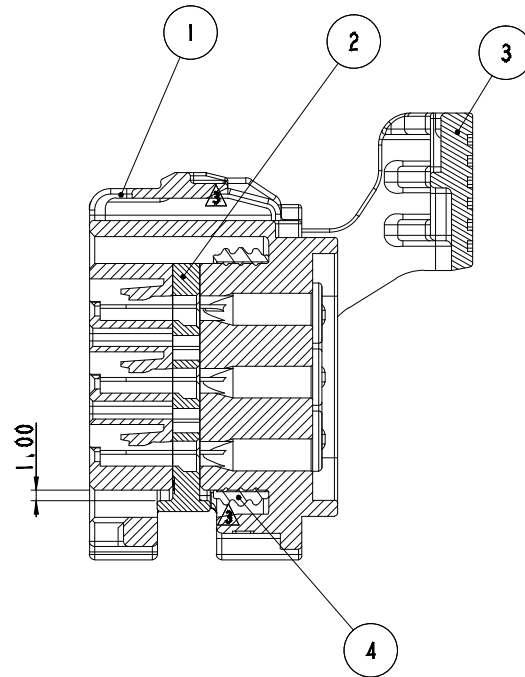
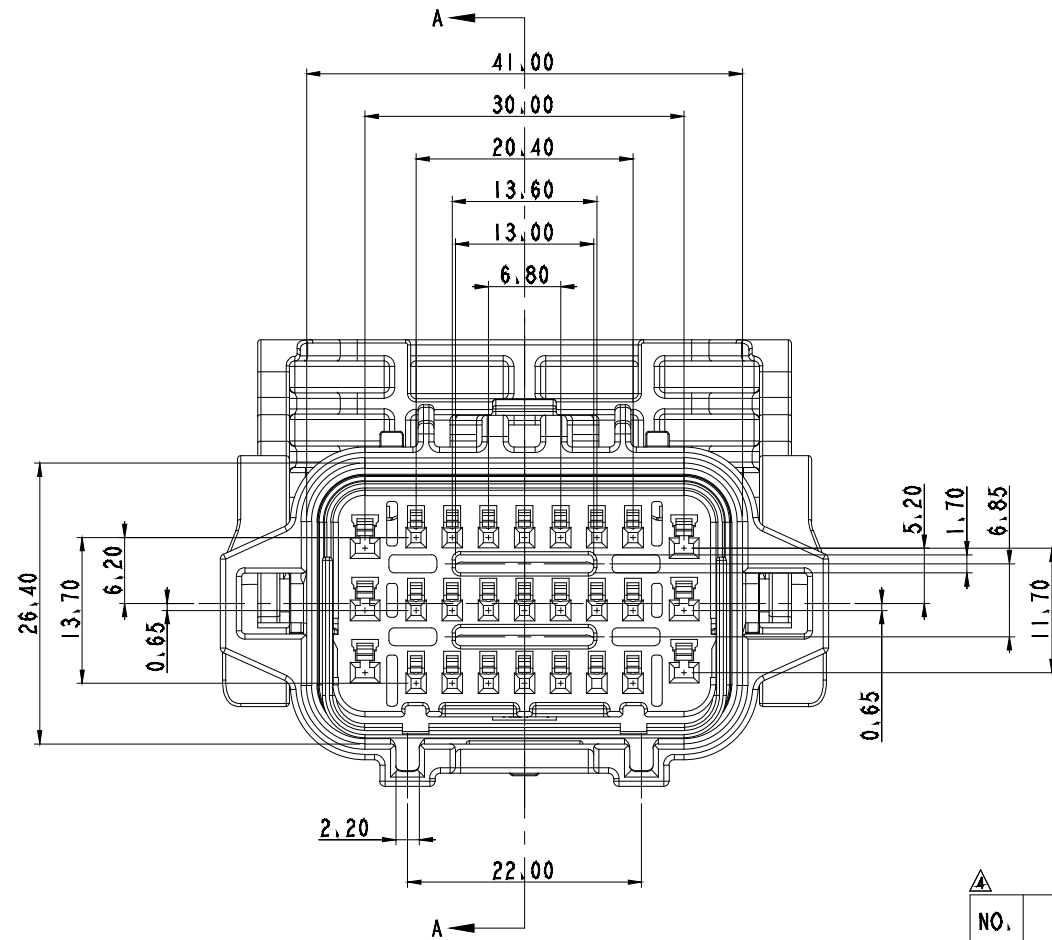
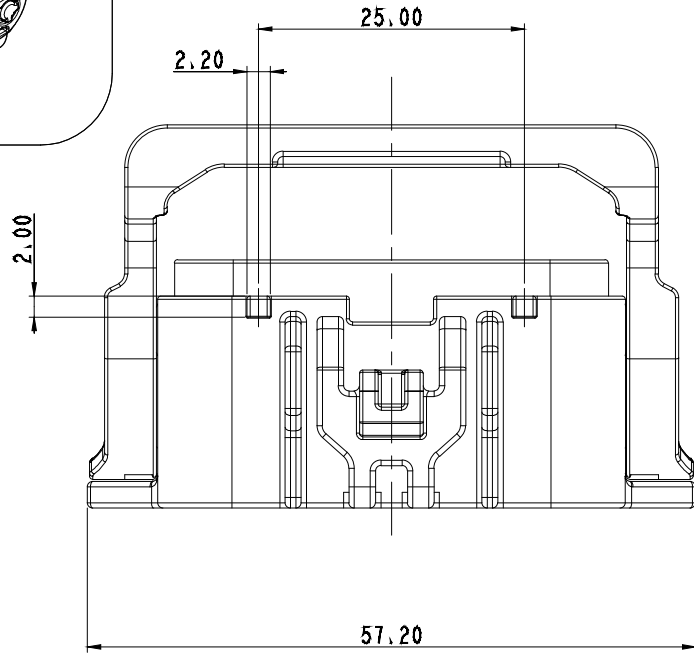


ISO VIEW



GENERAL TOLERANCE (HOUSING)										USED ON
10 MAX	30 MAX	50 MAX	70 MAX	100 MAX	120 MAX	250 MAX	250 VR	ANGLE	ECCENT	
±0.15	±0.2	±0.3	±0.4	±0.5	±0.75	±0.9	±1.4	±30'	0.1	

주요
 1. 기능상 유해한 BURR 및 WELDLINE 등이 없게,
 △2. 적용 TERMINAL : (025) ST731441-3
 : (060) ST731438-3, ST731439-3, △ST731531-3
 적용 CONNECTOR : MG646049
 3. 제품내 함유된 6대 유해물질 (납, 수은, 카드뮴, 6가크롬, PBBs, PBDEs)은
 EU ELV 지침 및 RoHS 법규에서 지정한 최대 허용 농도를 초과해서는 안된다.

NOTE
 1. MUST BE FREE OF BURR, WELDLINE
 AND IMPERFECTION THAT AFFECT FUNCTION,
 △2. APPLICABLE TERMINAL : (025) ST731441-3
 : (060) ST731438-3, ST731439-3, △ST731531-3
 APPLICABLE CONNECTOR : MG646049
 3. 6 HAZARDOUS SUBSTANCES IN PARTS (LEAD, MERCURY, CADMIUM,
 HEXAVALENT CHROMIUM, PBBs, PBDEs) SHALL NOT EXCEED
 THE MAXIMUM PERMISSIBLE CONCENTRATION PRESCRIBED
 UNDER EU ELV DIRECTIVE & RoHS REGULATION.

NO.	MATERIAL	COLOR
0	P B T	NATURAL
1		RED
2		BLUE
20		JADE
3		YELLOW
4		GRAY
40		DARK GRAY
41		LIGHT GRAY
* 5		BLACK
6		DARK GREEN
7		BROWN
8	LIGHT GREEN	
9	MAGENTA	
11	ORANGE	



ISSUE MARK

NO.	PART NAME	PART NO.	MATERIAL	COLOR	QTY.
1	025060 WP 27F HOUSING	MG676727	SEE TABLE	SEE TABLE	1
2	025060 WP 27F TPA	MG676728	PBT	NATURAL	1
3	025060 WP 27F LEVER	MG676729-5	POM	BLACK	1
4	025060 WP 27F INNER SEAL	R603480	SILICONE	RED	1

ECO-2004-179	근거 도면 변경	NYJ	CJK	20.04.14	MATERIAL	SEE TABLE	KOREA ELECTRIC TERMINAL CO., LTD.			
ECO-1910-088	근거 도면 변경	JY,K	WDH	CNS	19.10.08	FINISH		SEE TABLE		
ECO-1905-516	근거 도면 변경	JY,K	WDH	CNS	19.05.31	WIRE RANGE	-	CLASS	025/060	
ECO-1904-089	근거 도면 변경	JY,K	WDH	CNS	19.04.03	INSULATION	-	TYPE	WP	
ECO-1902-115	근거 도면 변경	STS	WDH	CNS	19.02.13					
LTR REVISION RECORD					DR.	CHK.	APP.	DATE	SCALE	PART NO.
					DR. JY, K	2017.10.11	CHK.		2/1	MG656891-5
					CHK. WDH	2017.10.11	APP. CNS	2017.10.11	PART-NAME	025060 WP 27F ASSY