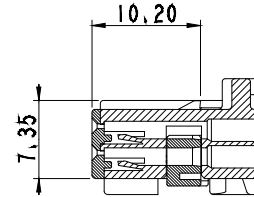
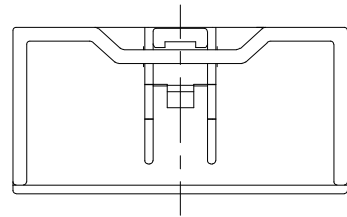
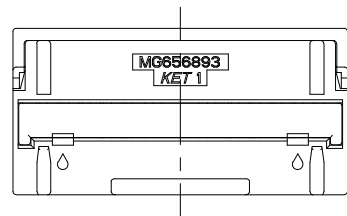
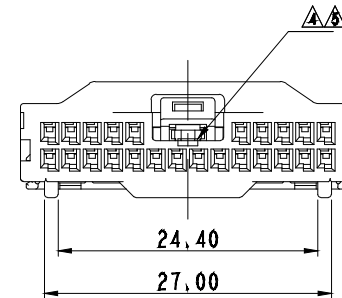
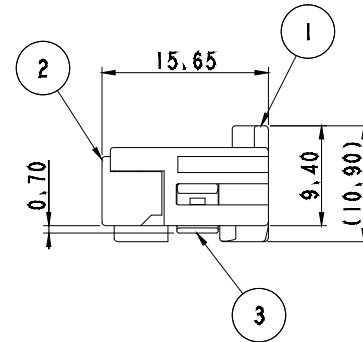
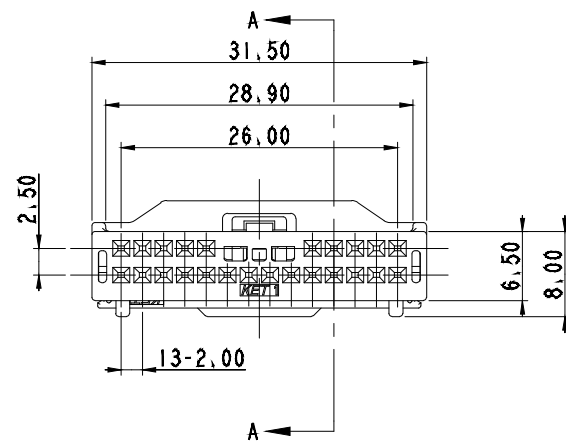
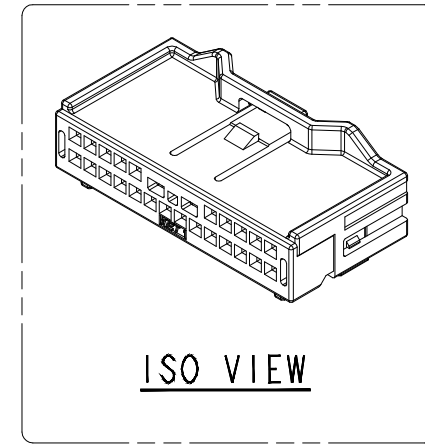


GENERAL TOLERANCE (HOUSING) Δ										USED ON
10 MAX	30 MAX	50 MAX	70 MAX	100 MAX	120 MAX	250 MAX	250 VR	ANGLE	ECCENT	
± 0.15	± 0.2	± 0.3	± 0.4	± 0.5	± 0.75	± 0.9	± 1.4	$\pm 30'$	0.1	



SECTION A-A



020 24F ASSY A		020 24F ASSY B	
24.40 27.00	16.30 18.90		
PART No MG656893	FINISH NATURAL	PART No MG656984-5	FINISH BLACK

NO.	MATERIAL	COLOR
0		NATURAL
1	PBT+GF10	RED
2		BLUE
3		YELLOW
40		DARK GRAY
41		LIGHT GRAY
5	Δ	BLACK
6		DARK GREEN
7		BROWN
8		LIGHT GREEN
9		MAGENTA
11		ORANGE

- 주 기
 1. 기능상 유해한 BURR 및 WELDLINE 등이 없을 것,
 Δ 2. 적용 TERMINAL : ST731403-3, ST731407-3
 적용 MALE CONNECTOR : MG646055, MG646166-5
 3. 제품내 함유된 6대 유해물질 (납, 수은, 카드뮴, 6가크롬, PBBs, PBDEs)은 EU ELV 지침 및 RoHS 법규에서 지정한 최대 허용 농도를 초과해서는 안된다.

- NOTE
 1. MUST BE FREE OF BURR, WELDLINE AND IMPERFECTION THAT AFFECT FUNCTION.
 Δ 2. APPLICABLE TERMINAL : ST731403-3, ST731407-3
 APPLICABLE MALE CONNECTOR : MG646055, MG646166-5
 3. 6 HAZARDOUS SUBSTANCES IN PARTS (LEAD, MERCURY, CADMIUM, HEXAVALENT CHROMIUM, PBBs, PBDEs) SHALL NOT EXCEED THE MAXIMUM PERMISSIBLE CONCENTRATION PRESCRIBED UNDER EU ELV DIRECTIVE & RoHS REGULATION.

NO	PART NAME	PART NO.	MATERIAL	FINISH	QTY.
1	020 24F HOUSING A	MG676741	PBT+GF10	NATURAL	1
	020 24F HOUSING B	MG677060-5		BLACK	
2	020 24F FRONT PLATE	MG676742		NATURAL	1
3	020 24F SPACER	MG676743-3	YELLOW	1	



ISSUE MARK

Δ ECO-2103-040 근거 도면 재작성	JDR	NKT	SSH	'21.09.03	
Δ ECO-2101-245 근거 도면 재작성	JDR	NKT	SSH	'21.01.21	MATERIAL SEE TABLE
Δ ECO-2002-18T 근거 도면 재작성	LWJ	NKT	SSH	'20.02.10	FINISH SEE TABLE
Δ ECO-1809-06T 근거 도면 재작성	KYS	NKT	SSH	'18.09.07	WIRE RANGE CLASS 020
Δ ECO-1711-058 근거 도면 재작성	LWJ	KMH	SSH	'17.12.22	INSULATION TYPE 비병수
제품 설계 변경 도면 재작성 (ECO-1709-208)	AYT	LIM	SUK	'17.09.19	
LTR	REVISION RECORD	DR.	CHK.	APP.	DATE
DR, SSY 2016.08.23		CHK.			SCALE 2/1
CHK, SSH 2016.08.24		APP.	BIN	2016.08.24	PART NO. MG656893
					PART-NAME 020 24F ASSY

