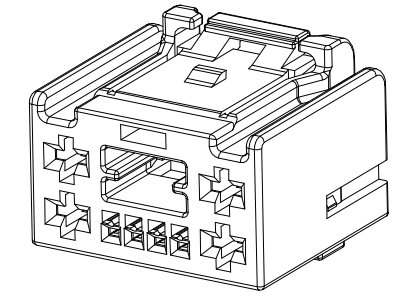
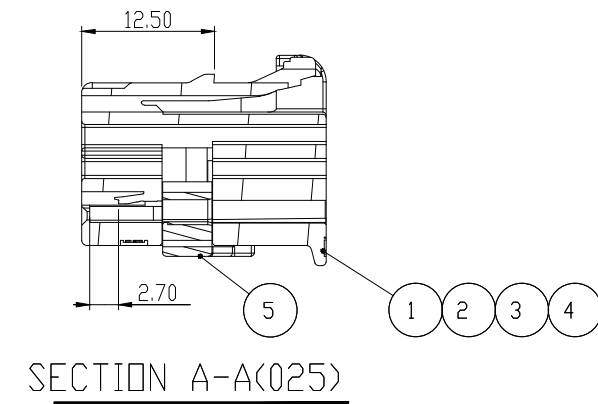
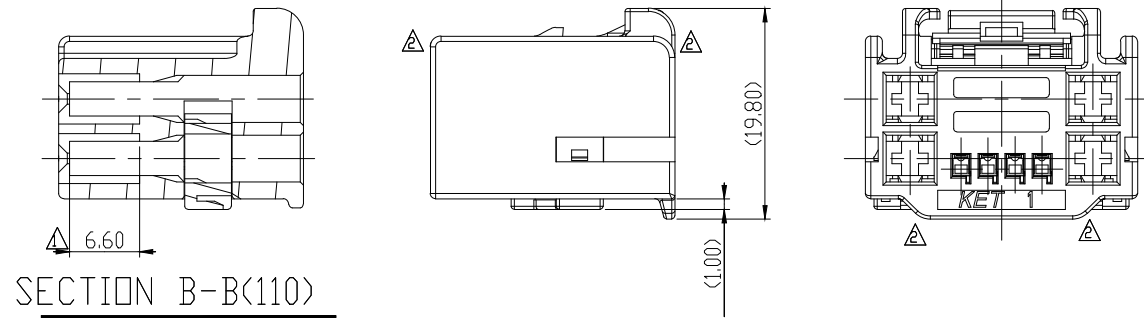
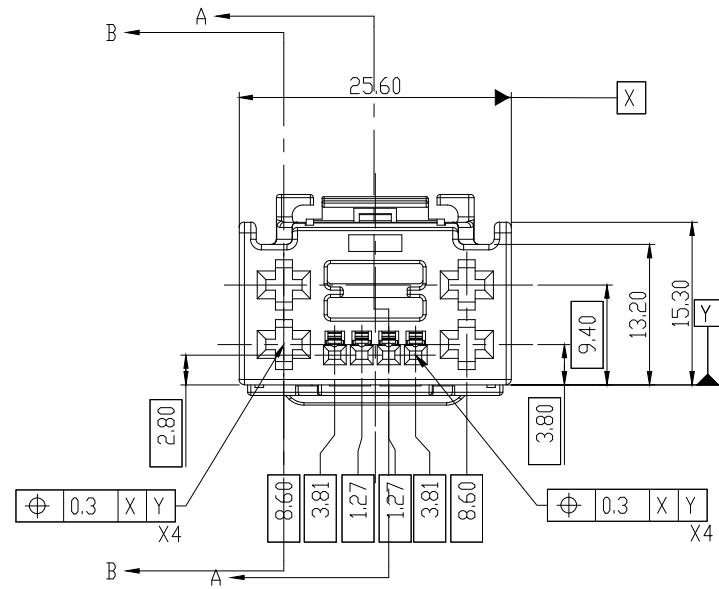


GENERAL TOLERANCE (HOUSING)									USED ON
10 MAX	30 MAX	50 MAX	70 MAX	100 MAX	120 MAX	250 MAX	250VR	ANGLE	
±0.15	±0.20	±0.30	±0.40	±0.50	±0.75	±0.90	±1.4	±30'	



ISO VIEW



- 주기
- 기능상 유해한 BURR 및 WELDLINE 등이 없을 것.
  - 적용 TERMINAL  
C025 : ST731409,1410  
△ N110 : ST731424,1425,1426
  - 상대물 HOUSING : MG646057-5(A TYPE),MG646058(B TYPE),MG646059-4(C TYPE),MG646060-2(D TYPE)
  - SPACER는 본 도면과 같이 1차 LOCK'G 상태로 유지,공급될 것
  - 제품내 함유된 6대 유해물질 (납, 수은, 카드뮴, 6가크롬, PBBs, PBDEs)은 EU ELV 지침 및 RoHS 법규에서 지정한 최대 허용 농도를 초과해서는 안된다.

- NOTE
- MUST BE FREE OF BURR, WELDLINE AND IMPERFECTION THAT AFFECT FUNCTION.
  - APPLICABLE TERMINAL  
C025 : ST731409,1410  
△ N110 : ST731424,1425,1426
  - APPLICABLE HOUSING : MG646057-5(A TYPE),MG646058(B TYPE),MG646059-4(C TYPE),MG646060-2(D TYPE)
  - THE MOLD DRAWING IN THE SAME WAY, SPACER IS NORMAL CONDITION MAINTANANCE AND SUPPLY WITH FIRST LOCKING.
  - 6 HAZARDOUS SUBSTANCES IN PARTS (LEAD, MERCURY, CADMIUM, HEXAVALENT CHROMIUM, PBBs, PBDEs) SHOULD NOT EXCEED THE MAXIMUM PERMISSIBLE CONCENTRATION PRESCRIBED UNDER EU ELV DIRECTIVE & RoHS REGULATION.

**APPROVED**  
2019-11-06  
KOREA ELECTRIC TERMINAL CO., LTD.  
Korea Electric Terminal Co., LTD.

NO	PART NAME	PART NO
1	025110 8F ASSY A_TYPE	MG656895-5
2	025110 8F ASSY B_TYPE	MG656896
3	025110 8F ASSY C_TYPE	MG656897-41
4	025110 8F ASSY D_TYPE	MG656898-2

NO	PART NAME	PART NO.	MATERIAL	COLOR	QTY			
5	025110 8F SPACER	MG676757-3	PBT	YELLOW	1	1	1	1
4	025110 8F HOUSING D TYPE	MG676755-2		BLUE	1			
3	025110 8F HOUSING C TYPE	MG676754-41		L/GRAY		1		
2	025110 8F HOUSING B TYPE	MG676753		NATURAL			1	
1	025110 8F HOUSING A TYPE	MG676752-5		BLACK				1

NO.	MATERIAL	COLOR
* 0	P B T	NATURAL
1		RED
* 2		BLUE
20		JADE
3		YELLOW
4		GRAY
40		DARK GRAY
* 41		LIGHT GRAY
* 5		BLACK
6		DARK GREEN
7		BROWN
8	LIGHT GREEN	
9	MAGENTA	
11	ORANGE	

ISSUE MARK

MATERIAL		SEE TABLE	KOREA ELECTRIC TERMINAL CO., LTD.
FINISH		SEE TABLE	
WIRE RANGE		-	CLASS 025/110
INSULATION		-	TYPE 비방
LTR	REVISION RECORD	DR. CHK. APP. DATE	TOLERANCE AS NOTED
SCALE 2/1		PART NO.	SEE TABLE
PART_NAME		025110 8F ASSY	