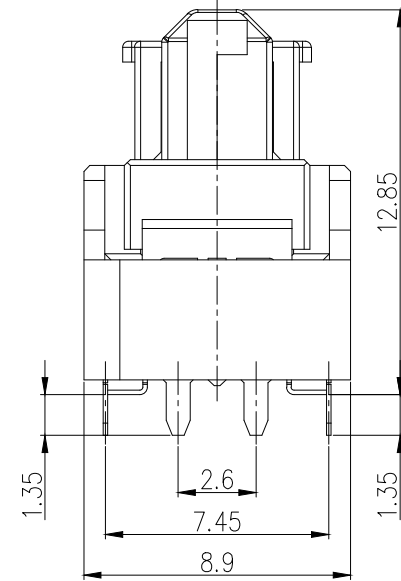
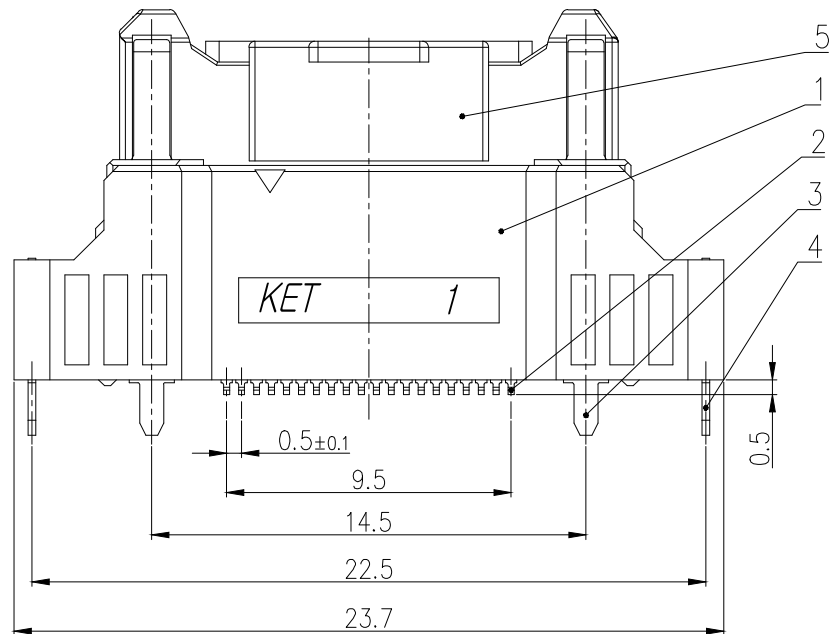
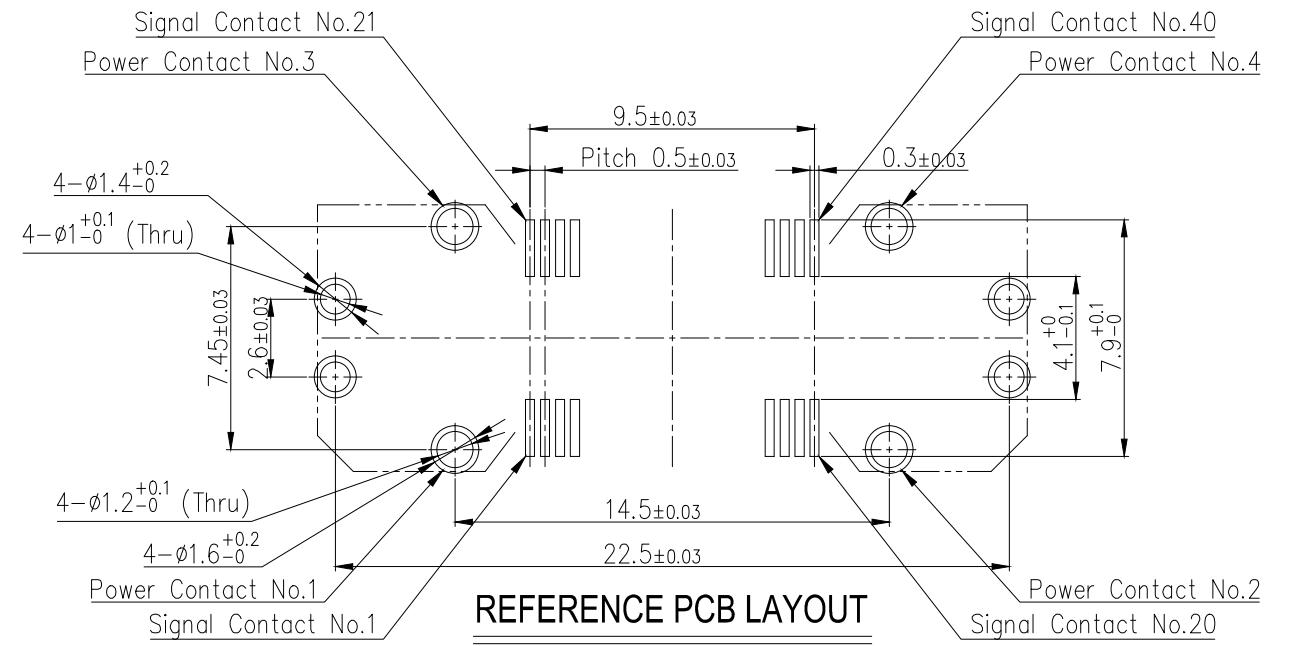
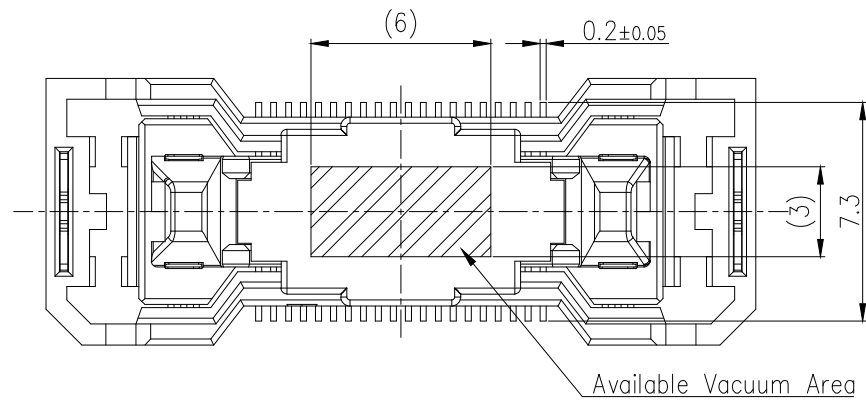


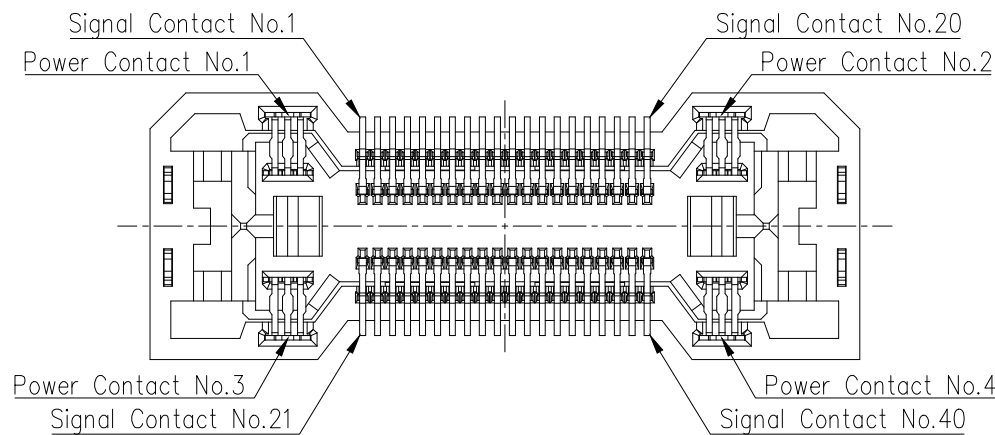
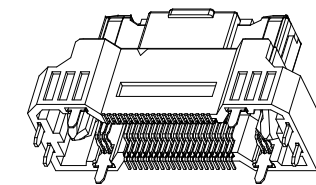
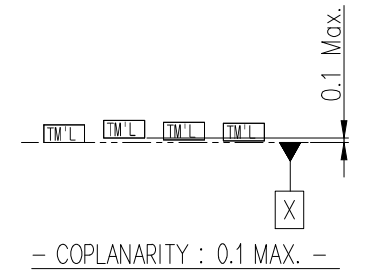
PART NO. SEE TABLE "A"

CUSTOMER DRAWING



- NOTE -

- TOLERANCE : ±0.2, ANGLE ±3°
- COPLANARITY : 0.1 MAX.
- PART CODE
MG 6 5 x x x x - 5
PART NO.
PLUG ASS'Y
- Spec : ES91500-03
- Solder : Reflow Solder Only(Surface mount)



"6 hazardous substances in parts (Lead, Mercury, Cadmium, Hexavalent Chromium, PBBs, PBDEs) shall not exceed the maximum permissible concentration prescribed under EU ELV Directive & RoHS Regulation."

5	PLUG 40P COVER	Polyamide	UL94-V0, BLACK	1	
4	METAL FITTING	Copper Alloy	Ni + Sn	2	
3	PLUG POWER TM'L H12.8	Copper Alloy	Ni + Au(Contact) + Sn(Lead)	4	
2	PLUG SIGNAL TM'L H12.8	Copper Alloy	Ni + Au(Contact, Lead)	0	
1	PLUG 40P HS'G H12.8	Polyamide	UL94-V0, BLACK	1	
NO.	NAME	MATERIAL	FINISH	Q'TC	
			MATERIAL	 KOREA ELECTRIC TERMINAL CO., LTD.	
			FINISH		
HOUSING 강건설계 적용			WIRE RANGE	CLASS Board to Board	
RELEASE			INSULATION	TYPE FLOATING P=0.5mm	
LTR REVISION RECORD		DR. CHK. APP. DATE	TOLERANCE EXCEPT AS NOTED	SCALE	PART NO.
DR. K.U.H 16.11.09		CHK. P.J.M 16.11.09	±0.2	4:1	MG656914-5
CHK.		APP. K.H.C 16.11.09	PART NAME		0.5 FLOATING B TO B PLUG 40P ASS'Y H12.8 1/1

APPROVED

2020-12-11

KOREA ELECTRIC
TERMINAL CO., LTD.
Korea Electric Te
rminal Co., LTD.

DIE NO.

(DIMENSIONS IN MM)

DESIGN REVISION NO. 0