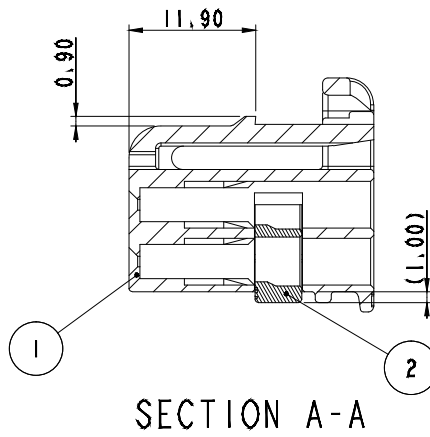
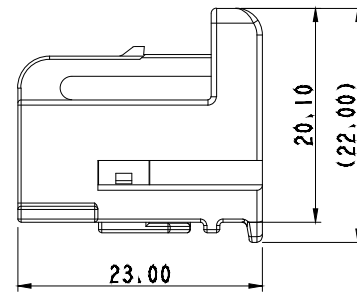


NO.	MATERIAL	COLOR
0	P B T	NATURAL
1		RED
2		BLUE
20		JADE
3		YELLOW
* 4		GRAY
40		DARK GRAY
41		LIGHT GRAY
5		BLACK
6		DARK GREEN
7		BROWN
8		LIGHT GREEN
9	MAGENTA	
11	ORANGE	



GENERAL TOLERANCE (HOUSING)							USED ON
10 MAX	50 MAX	100 MAX	250 MAX	250 VR	ANGLE	ECCENT	
±0.2	±0.3	±0.55	±0.95	±1.4	±30'	0.1	



- 주기
- 가능상 유해한 BURR 및 WELDLINE 등이 없을 것,
 - 적용 TERMINAL
C025 : ST731409, ST731410
N110 : △ST731469
 - SPACER는 본 도면과 같이 1차 LOCK'G 상태로 유지, 공급될 것
 - 제품내 함유된 6대 유해물질 (납, 수은, 카드뮴, 6가크롬, PBBs, PBDEs)은 EU ELV 지침 및 RoHS 법규에서 지정한 최대 허용 농도를 초과해서는 안된다.

- NOTE
- MUST BE FREE OF BURR, WELDLINE AND IMPERFECTION THAT AFFECT FUNCTION.
 - APPLICABLE TERMINAL
C025 : ST731409, ST741410
N110 : △ST731469
 - THE MOLD DRAWING IN THE SAME WAY, SPACER IS NORMAL CONDITION MAINTANANCE AND SUPPLY WITH FIRST LOCKING.
 - 6 HAZARDOUS SUBSTANCES IN PARTS (LEAD, MERCURY, CADMIUM, HEXAVALENT CHROMIUM, PBBs, PBDEs) SHALL NOT EXCEED THE MAXIMUM PERMISSIBLE CONCENTRATION PRESCRIBED UNDER EU ELV DIRECTIVE & RoHS REGULATION.

NO	PART NAME	PART NO	METERIAL	FINISH
①	025110 4F HOUSING	MG676855	SEE TABLE	SEE TABLE
②	025110 4F SPACER	MG676856	PBT	BLUE

		MATERIAL SEE TABLE		KIET KOREA ELECTRIC TERMINAL CO., LTD.
		FINISH SEE TABLE		
		WIRE RANGE		CLASS 비방수
		INSULATION		TYPE 025/110
LTR	REVISION RECORD	DR, CHK, APP, DATE	SCALE 2/1	PART NO. MG656916
DR, LKS 16.12.29	CHK,		PART_NAME	025110 4F ASSY
CHK, SSH 16.12.30	APP, BIN 16.12.30			

APPROVED
2021-01-07
KOREA ELECTRIC
TERMINAL CO., LTD.
Korea Electric Te
rminol Co., LTD.

ISSUE MARK