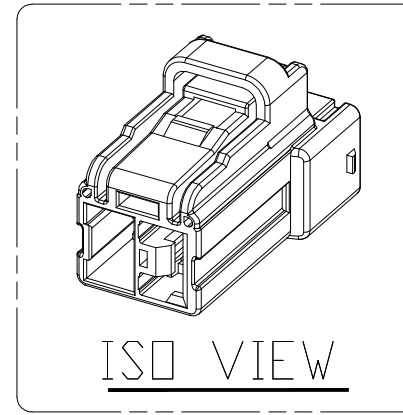
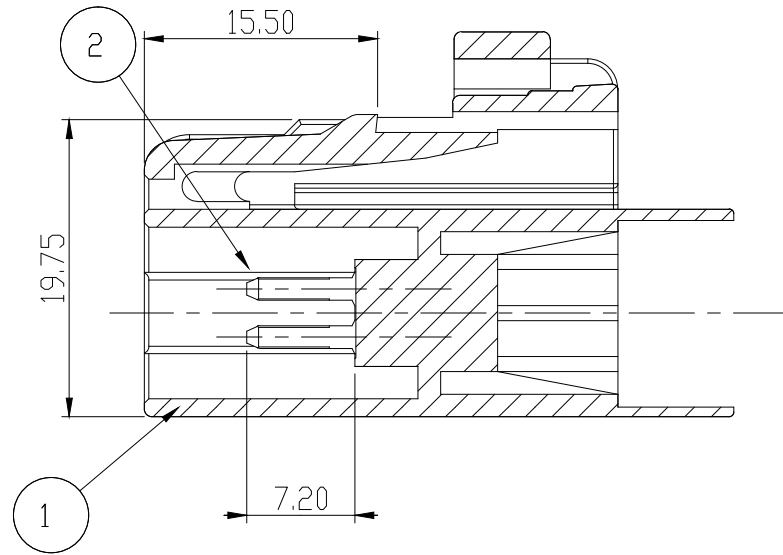


주 기

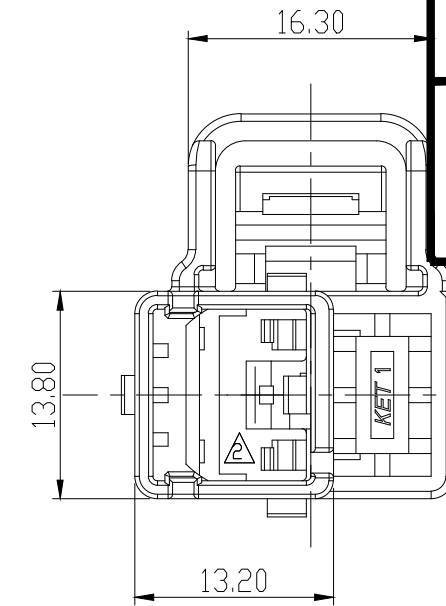
1. 지시하지 않은 반경 R은 0.3로 한다.
2. 지시하지 않은 모따기 C는 0.3으로 한다.
3. 기능상 유해한 BURR 및 WELDLINE 등이 없을 것.
4. 적용 HOUSING: MG646088-5
적용 HOLDER: MG635827-42
적용 TERMINAL: ST731452-3(15sq)
적용 AMPERE: 45A
5. KET 문자: 기울기 15°(H; 0.1~0.2, SIZE; 2.0)
CAVITY NO. : 기울기 0°(H; 0.1~0.2, SIZE; 2.0)
6. 제품내 함유된 6대 유해물질 (납, 수은, 카드뮴, 6가크롬, PBBs, PBDEs)은 EU ELV 지침 및 RoHS 법규에서 지정한 최대 허용 농도를 초과해서는 안된다.

NOTE

1. UNLESS OTHERWISE SPECIFIED ALL RADIUS TO BE 0.3 RADIUS.
2. UNLESS OTHERWISE SPECIFIED ALL CHAMFERS TO BE 0.3 CHAMFER.
3. MUST BE FREE OF FLASH, WELDLINE AND IMPERFECTION THAT AFFECT FUNCTION.
4. APPLICABLE HOUSING: MG646088-5
APPLICABLE HOLDER: MG635827-42
APPLICABLE TERMINAL: ST731452-3(15sq)
APPLICABLE AMPERE: 45A
5. KET MARK : TAPER 15° (H; 0.1~0.2, SIZE; 2.0)
CAVITY NO. : TAPER 0° (H; 0.1~0.2, SIZE; 2.0)
6. 6 HAZARDOUS SUBSTANCES IN PARTS (LEAD, MERCURY, CADMIUM, HEXAVALENT CHROMIUM, PBBs, PBDEs) SHALL NOT EXCEED THE MAXIMUM PERMISSIBLE CONCENTRATION PRESCRIBED UNDER EU ELV DIRECTIVE & RoHS REGULATION.



ISO VIEW



GENERAL TOLERANCE (HOUSING)							USED ON
10 MAX	50 MAX	100 MAX	250 MAX	250 VR	ANGLE	ECCENT	
±0.2	±0.3	±0.55	±0.95	±1.4	±30'	0.1	

NO.	MATERIAL	COLOR
0	SEE TABLE	NATURAL
1		RED
2		BLUE
3		YELLOW
41		LIGHT GRAY
42		DARK GRAY
* 5		BLACK
6		DARK GREEN
7		BROWN
8		LIGHT GREEN
9		MAGENTA
10		GRAY

APPROVED

2019-11-06

**KOREA ELECTRIC
TERMINAL CO., LTD.
Korea Electric Te
rminal Co., LTD.**

ISSUE MARK

NO.	PART NAME	PART NO.	MATERIAL	FINISH	QTY.
1	C060375 3F HOUSING	MG676863-5	PBT	BLACK	1
2	060 JOINT TAB TERMINAL	ST793452-3	BRASS	PRE-TIN	1

MATERIAL	SEE TABLE	KET ENGINEERED	KOREA ELECTRIC						
FINISH	SEE TABLE		TERMINAL CO., LTD.						
WIRE RANGE	-	CLASS	HYBRID						
INSULATION	-	TYPE	C060 / 375						
LTR	REVISION RECORD	DR.	CHK.	APP.	DATE	TOLERANCE EXCEPT AS NOTED	SCALE 2/1	PART NO.	MG656921-5
	DR.KMY 2016.12.28		CHK.CKI 2016.12.28			SEE TABLE			
	CHK.LJE 2016.12.28		APP.BIN 2016.12.28			PART_NAME			060375 3F ASSY