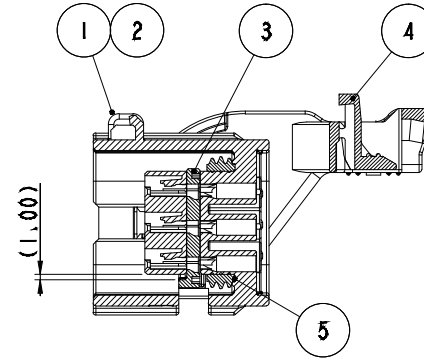
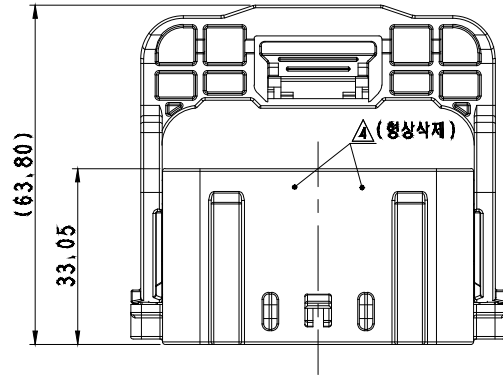
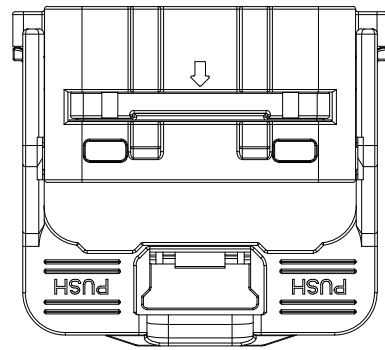
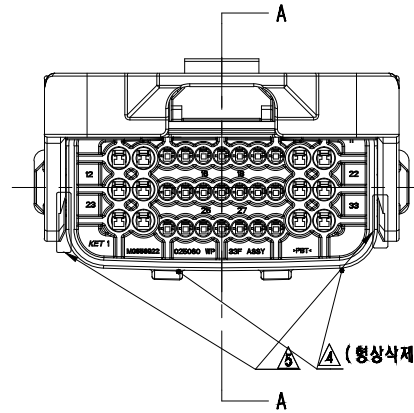
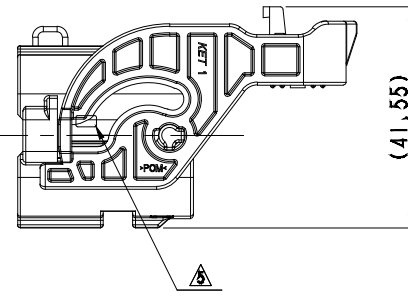
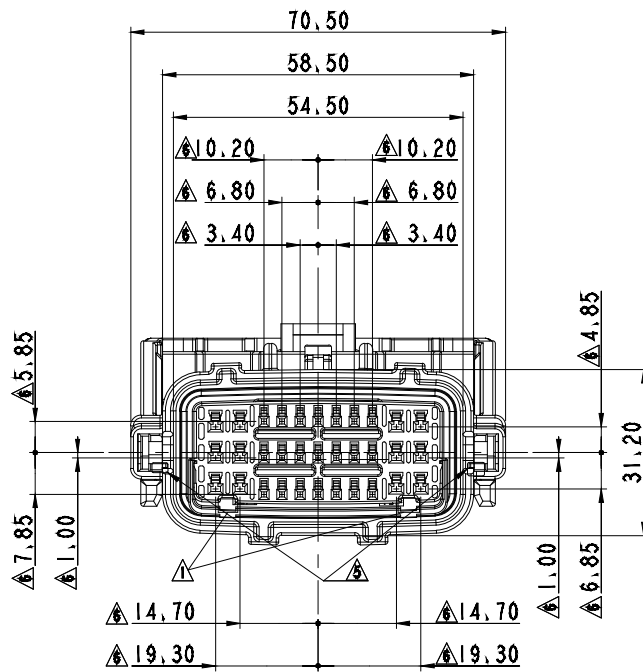


ISO VIEW



SECTION A-A



		MG656922	MG657239
NO.	PART NAME	PART NO.	MATERIAL
1	025060 WP 33F HOUSING	MG676850	SEE TABLE
2	025060 WP 33F HOUSING_B	MG677936	SEE TABLE
3	025060 WP 33F TPA	MG676851	PBT
4	025060 WP 33F LEVER	MG676854-5	POM
5	025060 WP 33F INNER SEAL	R603528	SILICONE

GENERAL TOLERANCE(HOUSING)										USED ON
10 MAX	30 MAX	50 MAX	70 MAX	100 MAX	120 MAX	250 MAX	250 VR	ANGLE	ECCENT	
±0.15	±0.2	±0.3	±0.4	±0.5	±0.75	±0.9	±1.4	±30'	0.1	

NO.	MATERIAL	COLOR
0		NATURAL
1	P B T	RED
2		BLUE
20		JADE
3		YELLOW
4		GRAY
40		DARK GRAY
41		LIGHT GRAY
* 5		BLACK
6		DARK GREEN
7		BROWN
8		LIGHT GREEN
9		MAGENTA
11		ORANGE

주
 1. 기능상 유해한 BURR 및 WELDLINE 등이 없을 것.
 2. 적용 TERMINAL : (025) ST731441-3
 ; (060) ST731438-3, ST731439-3,
 ST731531-3
 적용 CONNECTOR : MG646089-5
 3. 제품내 함유된 6대 유해물질 (납, 수은, 카드뮴, 6가크롬,
 PBBs, PBDEs)은 EU ELV 지침 및 RoHS 법규에서
 지정한 최대 허용 농도를 초과해서는 안된다.

NOTE
 1. MUST BE FREE OF BURR, WELDLINE
 AND IMPERFECTION THAT AFFECT FUNCTION.
 2. APPLICABLE TERMINAL : (025) ST731441-3
 ; (060) ST731438-3, ST731439-3,
 ST731531-3
 APPLICABLE CONNECTOR : MG646089-5
 3. 6 HAZARDOUS SUBSTANCES IN PARTS (LEAD, MERCURY,
 CADMIUM, HEXAVALENT CHROMIUM, PBBs, PBDEs) SHALL
 NOT EXCEED THE MAXIMUM PERMISSIBLE
 CONCENTRATION PRESCRIBED UNDER EU ELV DIRECTIVE
 & RoHS REGULATION.

형상		
품번	MG656922	MG657239
품명	025060 WP 33F ASSY	025060 WP 33F ASSY_B

NO.	PART NAME	PART NO.	MATERIAL	COLOR	QTY	QTY
1	025060 WP 33F HOUSING	MG676850	SEE TABLE	SEE TABLE	1	-
2	025060 WP 33F HOUSING_B	MG677936	SEE TABLE	SEE TABLE	-	1
3	025060 WP 33F TPA	MG676851	PBT	NATURAL	1	1
4	025060 WP 33F LEVER	MG676854-5	POM	BLACK	1	1
5	025060 WP 33F INNER SEAL	R603528	SILICONE	RED	1	1

ECO-2109-036	근거 도면 제작	CTI	KSC	HTJ	21.09.03
ECO-2108-128	근거 도면 제작	JY-V	WDH	CMS	21.08.06
ECO-2103-342	근거 도면 제작	SKM	HYJ	CJH	21.03.26
ECO-2003-011	근거 도면 제작	SDI	KSC	CJH	20.03.02
ECO-1910-148	근거 도면 제작	STJ	KSC	CJH	19.10.14
ECO-1904-365	근거 도면 제작	STJ	HYJ	CJH	19.04.25
ECO-1803-099	근거 도면 제작	LCH	WDS	CMS	18.03.08
ECO-1801-084	근거 도면 제작	PYP	WDH	CMS	18.01.08

MATERIAL	SEE TABLE	KOREA ELECTRIC TERMINAL CO., LTD.
FINISH	SEE TABLE	
WIRE RANGE	CLASS	C025/C060
INSULATION	TYPE	WP
LTR	REVISION RECORD	DR. CHK. APP. DATE
DR.	NST 2016.01.03	CHK.
CHK.	LJE 2016.01.03	APP.
TOLERANCE	SEE TABLE	SCALE
PART NAME	025060 WP 33F ASSY	



ISSUE MARK