

NO.	MATERIAL	COLOR
0	SEE TABLE	NATURAL
1		RED
11		ORANGE
2		BLUE
22		JADE
3		YELLOW
4		GRAY
41		LIGHT GRAY
42		DARK GRAY
* 5		BLACK
61		LIGHT GREEN
62		DARK GREEN
7		BROWN
9		MAGENTA

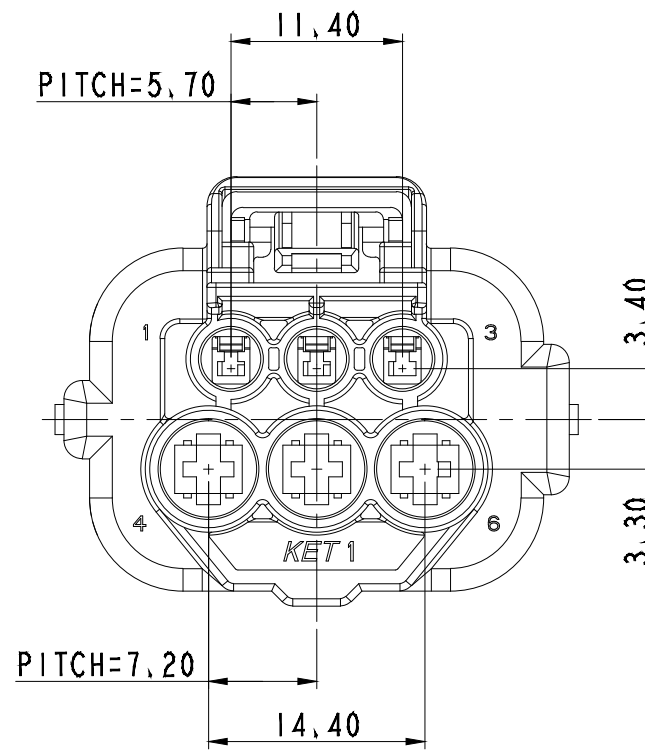
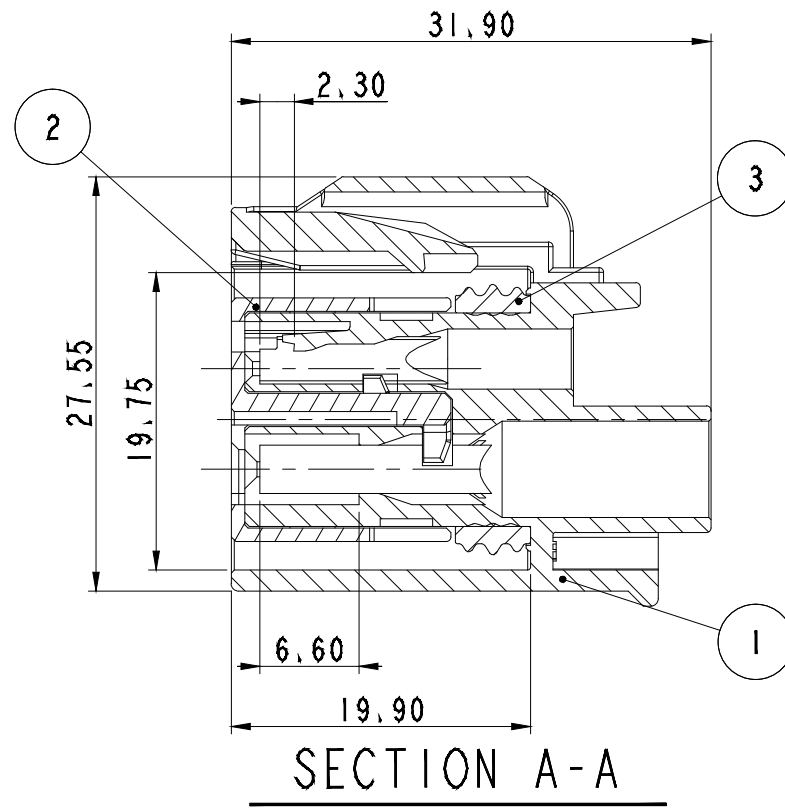
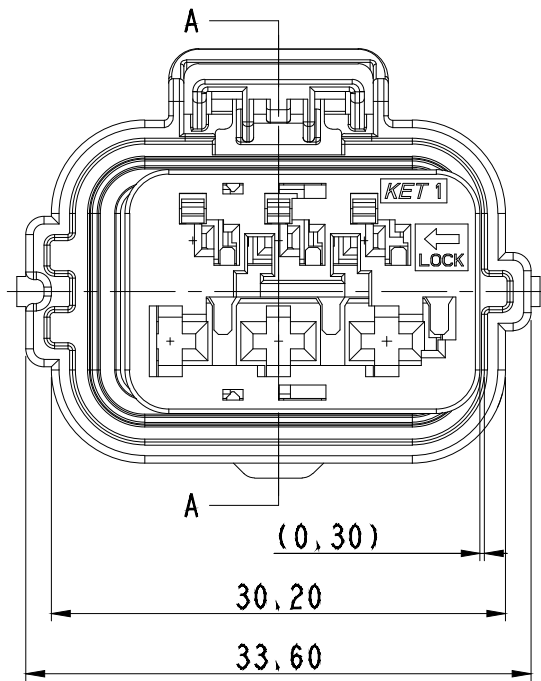
GENERAL TOLERANCE (HOUSING)										USED ON
10MAX	30MAX	50MAX	70MAX	100MAX	120MAX	250MAX	250VR	ANGLE	ECCENT	
±0.15	±0.2	±0.3	±0.4	±0.50	±0.75	±0.90	±1.4	±30'	0.1	

주기

- 기능상 유해한 BURR 및 WELDLINE 등이 없을 것,
- 적용 TERMINAL : (C060) ST731438-3, 731439-3 / (N110) : ST731456-3, 731472-3
적용 DUMMY SEAL : (C060) MG685519 / (N110) MG685542
적용 CONNECTOR : MG646078-5
- 제품내 함유된 6대 유해물질 (납,수은,카드뮴,6가크롬, PBBs,PBDEs)은 EU ELV 지침 및 RoHS 법규에서 지정한 최대 허용 농도를 초과해서는 안된다,

NOTE

- MUST BE FREE OF BURR, WELDLINE AND IMPERFECTION THAT AFFECT FUNCTION.
- APPLICABLE TERMINAL : (C060) ST731438-3, 731439-3 / (N110) : ST731456-3, 731472-3
APPLICABLE DUMMY SEAL : (C060) MG685519 / (N110) MG685542
APPLICABLE CONNECTOR : MG646078-5
- 6 HAZARDOUS SUBSTANCES IN PARTS (LEAD, MERCURY, CADMIUM, HEXAVALENT CHROMIUM, PBBs, PBDEs) SHALL NOT EXCEED THE MAXIMUM PERMISSIBLE CONCENTRATION PRESCRIBED UNDER EU ELV DIRECTIVE & RoHS REGULATION.



NO.	PART NAME	PART NO.	MATERIAL	COLOR	QTY.
1	060110 WP 6F HOUSING	MG676922	PBT	BLACK	1
2	060110 WP 6F FRONT HOLDER	MG676923	PBT-GF30	NATURAL	1
3	060110 WP 6F INNER SEAL	R603552	SLICONE	RED	1

					MATERIAL	SEE TABLE	KET KOREA ELECTRIC TERMINAL CO., LTD.	
					FINISH	SEE TABLE	ENGINEERED	
					WIRE RANGE	-	CLASS	HYBRID WP
					INSULATION	-	TYPE	C060 / N110
△	경보발각에 의한 발생 도면 속도	LJJ	AJH	CMS	18.05.03	TOLERANCE EXCEPT AS NOTED	SCALE	2/1
LTR	REVISION RECORD	DR.	CHK.	APP.	DATE	SEE TABLE	PART NO.	MG656942
	DR. LJJ 2017.04.13		CHK. CKI 2017.04.13			PART_NAME	060110 WP 6F ASSY	
	CHK.		APP. LJE 2017.04.13					

ISSUE MARK