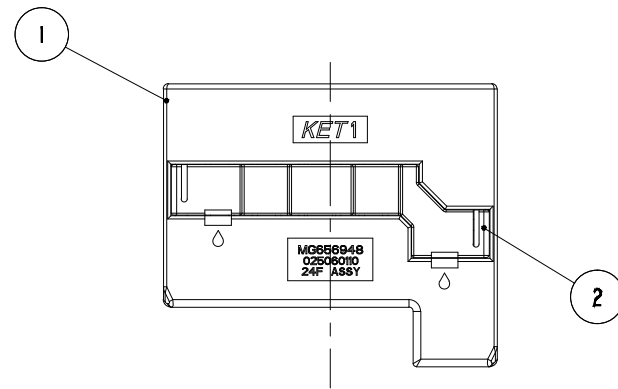
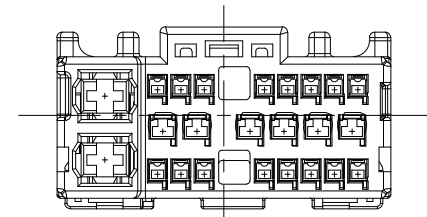
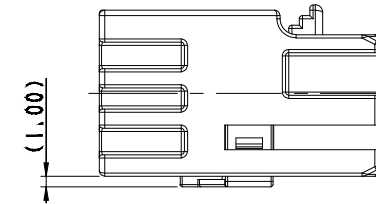
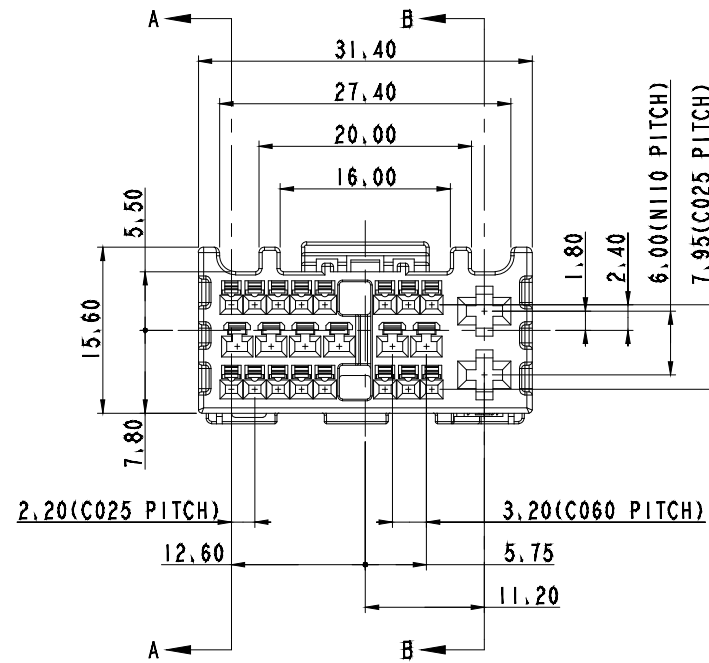
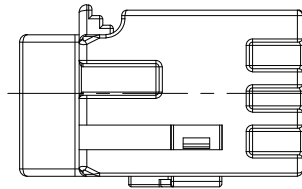
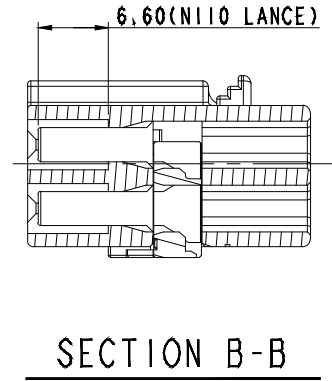
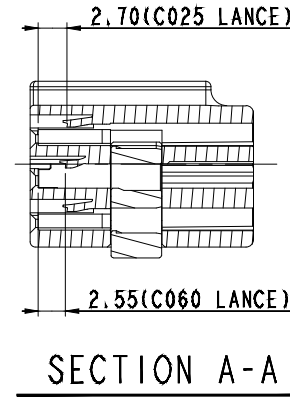
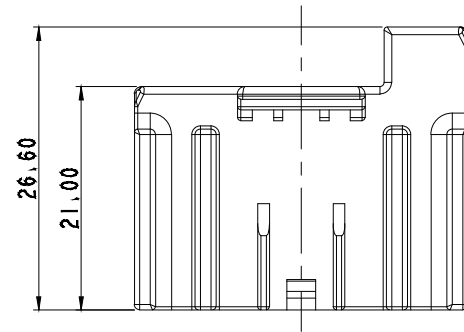


GENERAL TOLERANCE (HOUSING)										USED ON
10 MAX	30 MAX	50 MAX	70 MAX	100 MAX	120 MAX	250 MAX	250 VR	ANGLE	ECCENT	
±0.15	±0.2	±0.3	±0.4	±0.5	±0.75	±0.9	±1.4	±30'	0.1	



APPROVED

2019-11-06

**KOREA ELECTRIC
TERMINAL CO., LTD.
Korea Electric Te
rminal Co., LTD.**

NO.	MATERIAL	COLOR
* 0	PBT	NATURAL
1		RED
* 2		BLUE
20		JADE
3		YELLOW
4		GRAY
40		DARK GRAY
41		LIGHT GRAY
5		BLACK
6		DARK GREEN
7		BROWN
8	LIGHT GREEN	
9	MAGENTA	
11	ORANGE	

- 주 기
1. 기능상 유해한 BURR 및 WELDLINE 등이 없을 것.
 2. 적용 TERMINAL(C025) : ST731409-3, ST731410-3
적용 TERMINAL(C060) : ST731411-3, ST731412-3, ST731413-3
적용 TERMINAL(N110) : ST731423-3, ST731424-3, ST731425-3, ST731426-3
 3. 적용 CONNECTOR : MG646114
 4. () 치수는 참고치수임.
 5. 제품내 함유된 6대 유해물질 (납, 수은, 카드뮴, 6가크롬, PBBs, PBDEs)은 EU ELV 지침 및 RoHS 법규에서 지정한 최대 허용 농도를 초과해서는 안된다.

- NOTE
1. MUST BE FREE OF BURR, WELDLINE AND IMPERFECTION THAT AFFECT FUNCTION.
 2. APPLICABLE TERMINAL(C025) : ST731409-3, ST731410-3
APPLICABLE TERMINAL(C060) : ST731411-3, ST731412-3, ST731413-3
APPLICABLE TERMINAL(N110) : ST731423-3, ST731424-3, ST731425-3, ST731426-3
 3. APPLICABLE CONNECTOR : MG646114
 4. () REFERENCE DIMENSION.
 5. 6 HAZARDOUS SUBSTANCES IN PARTS (LEAD, MERCURY, CADMIUM, HEXAVALENT CHROMIUM, PBBs, PBDEs) SHOULD NOT EXCEED THE MAXIMUM PERMISSIBLE CONCENTRATION PRESCRIBED UNDER EU ELV DIRECTIVE & RoHS REGULATION

NO	PART NO.	PART NAME	MATERIAL	FINISH	Q'TY
1	MG676949	C025C060N110 24F HOUSING	SEE TABLE	SEE TABLE	1
2	MG676950-3	C025C060N110 24F SPACER	PBT	YELLOW	1

ISSUE MARK

MATERIAL	SEE TABLE	KJET ENGINEERED	KOREA ELECTRIC TERMINAL CO., LTD.
FINISH	SEE TABLE		
WIRE RANGE	-	TYPE	비방수
INSULATION	-	SCALE	2/1
LTR	ECO-1909-183 근거 도면 변경 (ECO-1712-188E)	DR, CHK, APP, DATE	PART NO. MG656948
DR, CYK	2017.05.26	CHK, APP, LJE	2017.05.26
CHK, CK1	2017.05.26	APP, LJE	2017.05.26
PART_NAME	C025C060N110 24F ASSY		