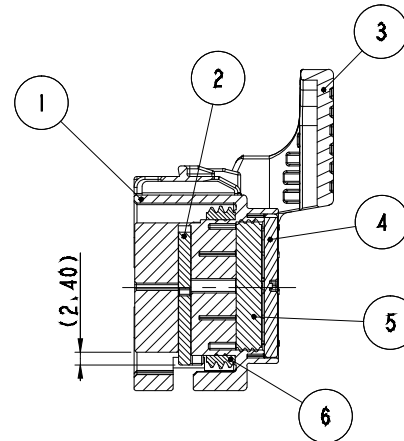
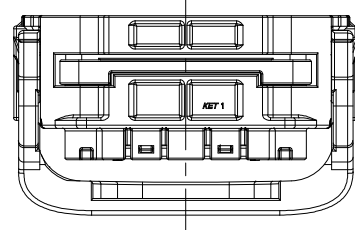
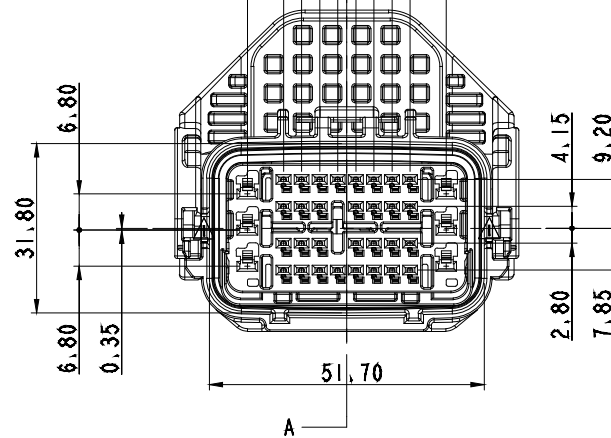
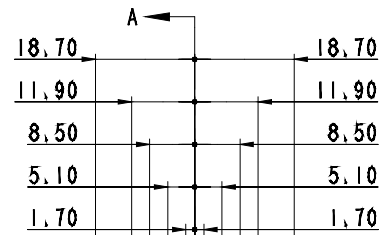
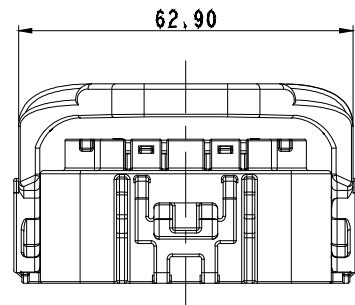
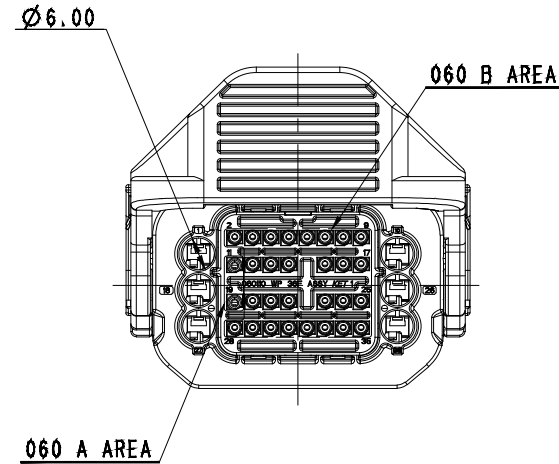
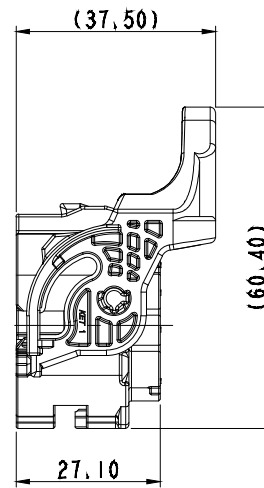


ISO VIEW



SECTION A-A



GENERAL TOLERANCE (HOUSING)										USED ON
10 MAX	30 MAX	50 MAX	70 MAX	100 MAX	120 MAX	250 MAX	250 VR	ANGLE	ECCENT	
±0.15	±0.2	±0.3	±0.4	±0.5	±0.75	±0.9	±1.4	±30'	0.1	

- 주
 1. 기능상 유해한 BURR 및 WELDLINE 등이 없을 것.
 2. 적용 TERMINAL : (CB060) ST731444-3, ST731445-3
 : (110) ST731152-3, ST731153-3, ST731282-3
 적용 CONNECTOR : MG646178
 3. 제품내 함유된 6대 유해물질 (납, 수은, 카드뮴, 6가크롬, PBBs, PBDEs)은 EU ELV 지침 및 RoHS 법규에서 지정한 최대 허용 농도를 초과해서는 안된다.

- NOTE
 1. MUST BE FREE OF BURR, WELDLINE AND IMPERFECTION THAT AFFECT FUNCTION.
 2. APPLICABLE TERMINAL : (CB060) ST731444-3, ST731445-3
 : (110) ST731152-3, ST731153-3, ST731282-3
 APPLICABLE CONNECTOR : MG646178
 3. 6 HAZARDOUS SUBSTANCES IN PARTS (LEAD, MERCURY, CADMIUM, HEXAVALENT CHROMIUM, PBBs, PBDEs) SHALL NOT EXCEED THE MAXIMUM PERMISSIBLE CONCENTRATION PRESCRIBED UNDER EU ELV DIRECTIVE & RoHS REGULATION.

NO.	MATERIAL	COLOR
0	PA66+GF30	NATURAL
1		RED
2		BLUE
20		JADE
3		YELLOW
4		GRAY
40		DARK GRAY
41		LIGHT GRAY
* 5		BLACK
6		DARK GREEN
7		BROWN
8	LIGHT GREEN	
9	MAGENTA	
11	ORANGE	

PART LIST

NO.	PART NAME	PART NO.	MATERIAL	COLOR	QTY.
1	060110 WP 36F HOUSING	MG677118	SEE TABLE	SEE TABLE	1
2	060110 WP 36F SPACER	MG677119	PA66+GF30	NATURAL	1
3	060110 WP 36F LEVER	MG677120-4	POM	GRAY	1
4	060110 WP 36F BLOCK SEAL RETAINER	MG677121-5	PA66+GF30	BLACK	1
5	060110 WP 36F BLOCK SEAL	R603626	SILICON	RED	1
6	060110 WP 36F INNER SEAL	R603627	SILICON	RED	1

110 (280) TERMINAL

NO.	전선 외경	WIRE SEAL	DUMMY SEAL
1	3.7 ~ 3.8	MG685574	MG680905
2	2.9 ~ 3.2	MG685484	
3	2.6 ~ 2.8	MG680564	
4	2.1 ~ 2.3	MG680470	
5	1.8 ~ 2.0	MG680522	
6	1.6 ~ 1.7	MG685197	

060 (CLEAN BODY) TERMINAL

NO.	APPLICABLE AREA	전선 외경	CAVITY PLUG	COLOR
1	060 A AREA	1.8 ~ 2.2	MG635784	NATURAL
2	060 B AREA	1.4 ~ 1.7		

MATERIAL	SEE TABLE	KIEP ENGINEERED	KOREA ELECTRIC TERMINAL CO., LTD.
FINISH	SEE TABLE		
WIRE RANGE		CLASS	060/110
INSULATION		TYPE	WP
SCALE	1/1	PART NO.	MG657000
PART_NAME	060110 WP 36F ASSY		



ISSUE MARK