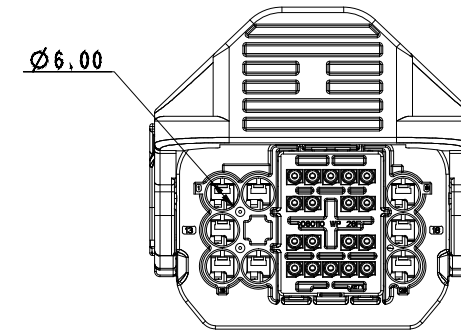


GENERAL TOLERANCE (HOUSING)										USED ON
10 MAX	30 MAX	50 MAX	70 MAX	100 MAX	120 MAX	250 MAX	250 VR	ANGLE	ECCENT	
±0.15	±0.2	±0.3	±0.4	±0.5	±0.75	±0.9	±1.4	±30'	0.1	

- 주요  
 1. 기능상 유해한 BURR 및 WELDLINE 등이 없을 것,  
 2. 적용 TERMINAL : (CB060) ST731445-3  
 ; (110) ST731152-3, ST731153-3, ST731282-3  
 적용 CONNECTOR : MG646193  
 3. 제품내 함유된 6대 유해물질 (납, 수은, 카드뮴, 6가크롬, PBBs, PBDEs)은 EU ELV 지침 및 RoHS 법규에서 지정한 최대 허용 농도를 초과해서는 안된다.

- NOTE  
 1. MUST BE FREE OF BURR, WELDLINE AND IMPERFECTION THAT AFFECT FUNCTION,  
 2. APPLICABLE TERMINAL : (CB060) ST731445-3  
 ; (110) ST731152-3, ST731153-3, ST731282-3  
 APPLICABLE CONNECTOR : MG646193  
 3. 6 HAZARDOUS SUBSTANCES IN PARTS (LEAD, MERCURY, CADMIUM, HEXAVALENT CHROMIUM, PBBs, PBDEs) SHALL NOT EXCEED THE MAXIMUM PERMISSIBLE CONCENTRATION PRESCRIBED UNDER EU ELV DIRECTIVE & RoHS REGULATION.

NO.	MATERIAL	COLOR
0	PA66+GF30	NATURAL
1		RED
2		BLUE
20		JADE
3		YELLOW
4		GRAY
40		DARK GRAY
41		LIGHT GRAY
* 5		BLACK
6		DARK GREEN
7		BROWN
8	LIGHT GREEN	
9	MAGENTA	
11	ORANGE	



060 (CLEAN BODY) TERMINAL

NO.	전선 외경	CAVITY PLUG	COLOR
1	1.4 ~ 1.7	MG635784	NATURAL

110 (280) TERMINAL

NO.	전선 외경	WIRE SEAL	DUMMY SEAL
1	3.7 ~ 3.8	MG685574	MG680905
2	2.9 ~ 3.2	MG685484	
3	2.6 ~ 2.8	MG680564	
4	2.1 ~ 2.3	MG680470	
5	1.8 ~ 2.0	MG680522	
6	1.6 ~ 1.7	MG685197	

NO.	PART NAME	PART NO.	MATERIAL	COLOR	QTY.
1	060110 WP 26F HOUSING	MG677152	SEE TABLE	SEE TABLE	1
2	060110 WP 26F SPACER	MG677153	PA66+GF30	NATURAL	1
3	060110 WP 26F LEVER	MG677154-5	POM	GRAY	1
4	060110 WP 26F BLOCK SEAL RETAINER	MG677155-5	PA66+GF30	BLACK	1
5	060110 WP 26F BLOCK SEAL	R603635	SILICON	RED	1
6	060110 WP 26F INNER SEAL	R603636	SILICON	RED	1

APPROVED

2019-11-05

KOREA ELECTRIC TERMINAL CO., LTD.  
Korea Electric Terminal Co., LTD.

ISSUE MARK

MATERIAL	SEE TABLE	KJET ENGINEERED	KOREA ELECTRIC TERMINAL CO., LTD.
FINISH	SEE TABLE		
WIRE RANGE	-	CLASS	060/110
INSULATION	-	TYPE	WP
LTR	REVISION RECORD	SCALE	PART NO. MG657011
DR, YCH 2018.04.19	CHK, WDH 2018.04.19	PART_NAME	060110 WP 26F ASSY
CHK,	APP, CMS 2018.04.19		