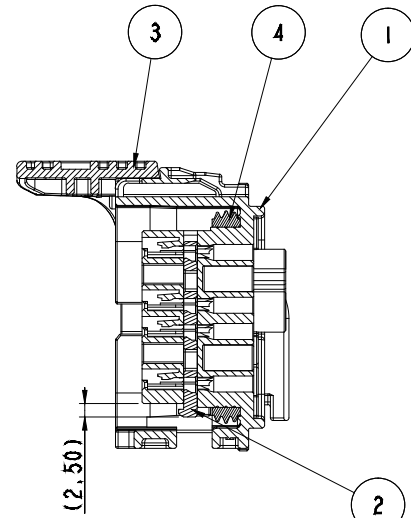
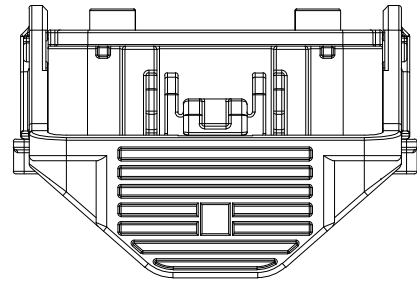
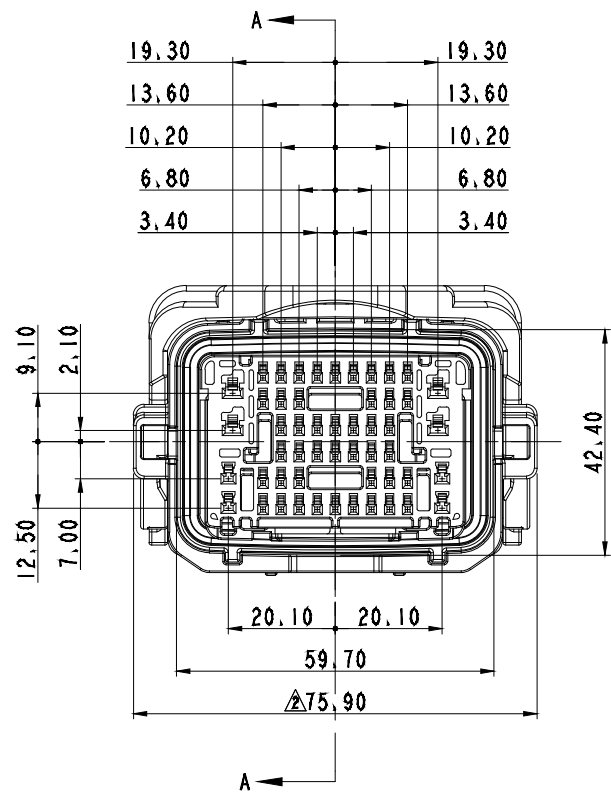


ISO VIEW



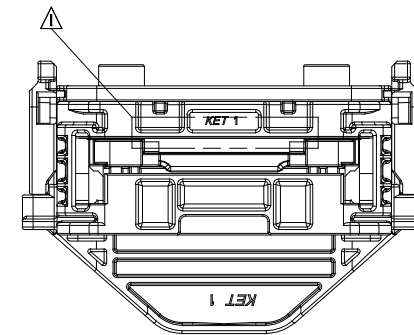
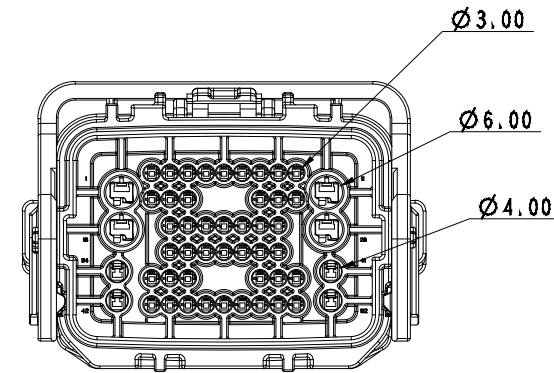
SECTION A-A



GENERAL TOLERANCE (HOUSING)										USED ON
10 MAX	30 MAX	50 MAX	70 MAX	100 MAX	120 MAX	250 MAX	250 VR	ANGLE	ECCENT	
±0.15	±0.2	±0.3	±0.4	±0.5	±0.75	±0.9	±1.4	±30'	0.1	

- 주 기
- 가능상 유해한 BURR 및 WELDLINE 등이 없을 것,
 - 적용 TERMINAL : (C025) ST731441-3, ST731441-G
(C060) ST731438-3, ST731439-3
(110) ST731152-3, ST731153-3, ST731282-3
적용 CONNECTOR : MG646219
적용 WIRE COVER : MG635944
적용 DUMMY SEAL : (025) MG685518, (060) MG685519, (110) MG680905
 - 제품내 함유된 6대 유해물질 (납, 수은, 카드뮴, 6가크롬, PBBs, PBDEs)은 EU ELV 지침 및 RoHS 법규에서 지정한 최대 허용 농도를 초과해서는 안된다,

- NOTE
- MUST BE FREE OF BURR, WELDLINE AND IMPERFECTION THAT AFFECT FUNCTION.
 - APPLICABLE TERMINAL : (C025) ST731441-3, ST731441-G
(C060) ST731438-3, ST731439-3
(110) ST731152-3, ST731153-3, ST731282-3
APPLICABLE CONNECTOR : MG646219
APPLICABLE WIRE COVER : MG635944
APPLICABLE DUMMY SEAL : (025) MG685518, (060) MG685519, (110) MG680905
 - 6 HAZARDOUS SUBSTANCES IN PARTS (LEAD, MERCURY, CADMIUM, HEXAVALENT CHROMIUM, PBBs, PBDEs) SHALL NOT EXCEED THE MAXIMUM PERMISSIBLE CONCENTRATION PRESCRIBED UNDER EU ELV DIRECTIVE & RoHS REGULATION.



NO.	MATERIAL	COLOR
0	PBT	NATURAL
1		RED
2		BLUE
20		JADE
3		YELLOW
4		GRAY
40		DARK GRAY
41		LIGHT GRAY
* 5		BLACK
6		DARK GREEN
7		BROWN
8	LIGHT GREEN	
9	MAGENTA	
11	ORANGE	

NO.	U/S	PART NAME	PART NO.	MATERIAL	COLOR
1	I	025060110 WP 52F HOUSING	MG677271	PBT	BLACK
2	I	025060110 WP 52F SPACER	MG677272	PBT	NATURAL
3	I	025060110 WP 52F LEVER	MG677273-5	POM	BLACK
	-	025060110 52F LEVER	MG677273-4	POM	GRAY
4	I	025060110 WP 52F INNER SEAL	R603714	SILICONE	RED

MG657037-5	MG657037-5G
------------	-------------



ISSUE MARK

ECO-2107-278 근거 도면 제작	YDH	HYJ	'21.08.10	MATERIAL	SEE TABLE	KET ENGINEERED KOREA ELECTRIC TERMINAL CO., LTD.
ECO-2103-010 근거 도면 제작	STJ	KSC	CJH	FINISH	SEE TABLE	
역주권 제품시 품질검 기준 (ECO-2004-052)	LCK	WDH	CMS	WIRE RANGE	-	CLASS
검사 정확도 합격에 따른 도면 제작 (ECO-1912-135)	LCK	WDH	CMS	INSULATION	-	TYPE
LTR	REVISION RECORD	DR	CHK	APP.	DATE	TOLERANCE EXCEPT AS NOTED
DR. LCK	2018.08.16	CHK. WDH	2018.08.16	APP. CMS	2018.08.16	SCALE
CHK.		APP. CMS	2018.08.16	PART NAME	025060110 WP 52F ASSY	PART NO.