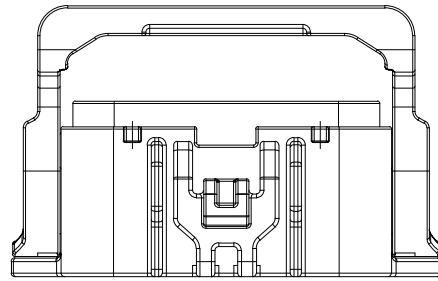
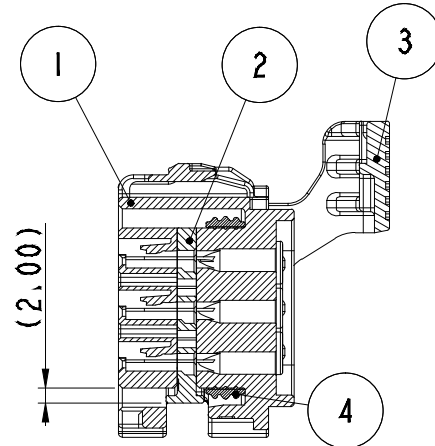


ISO VIEW



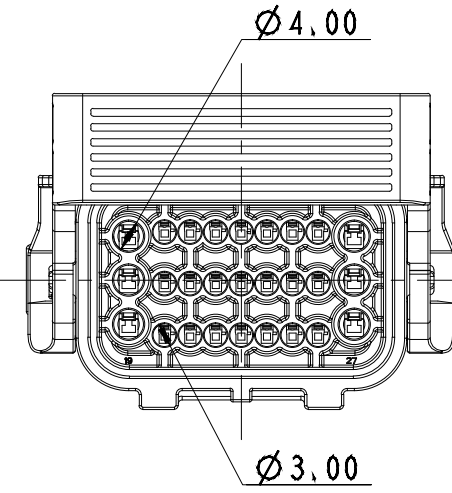
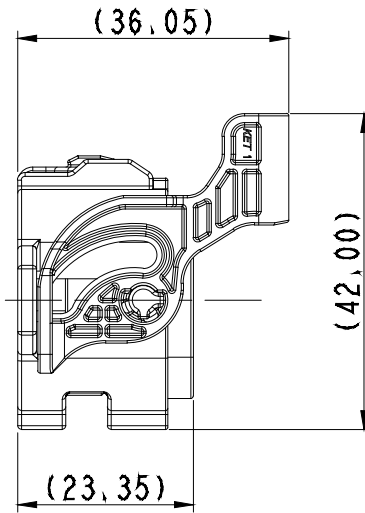
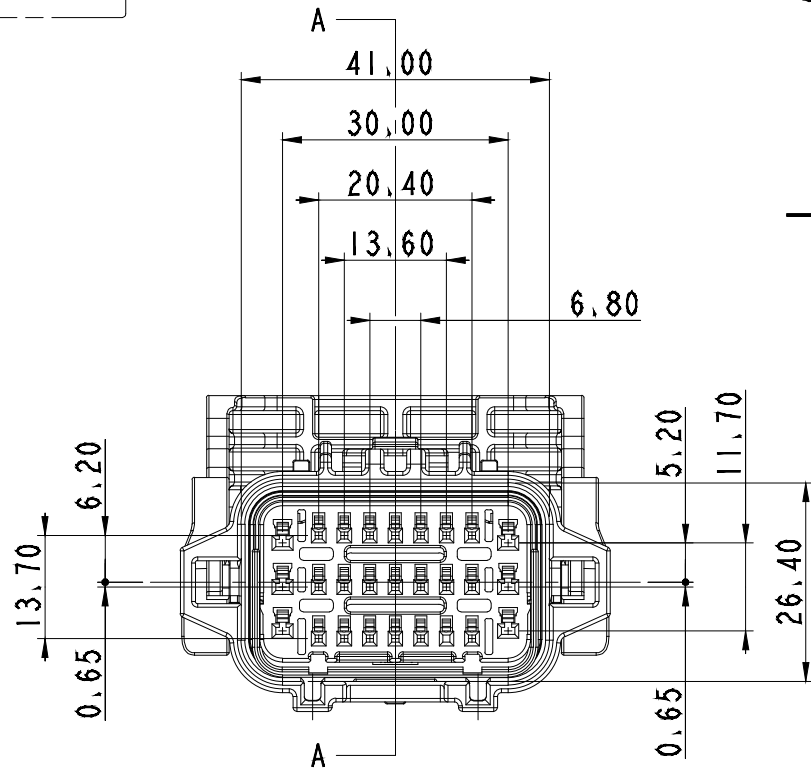
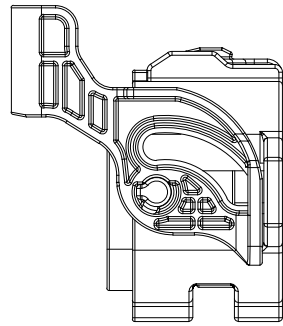
GENERAL TOLERANCE (HOUSING)										USED ON
10 MAX	30 MAX	50 MAX	70 MAX	100 MAX	120 MAX	250 MAX	250 VR	ANGLE	ECCENT	
±0.15	±0.2	±0.3	±0.4	±0.5	±0.75	±0.9	±1.4	±30'	0.1	



SECTION A-A

- 주기
- 기능상 유해한 BURR 및 WELDLINE 등이 없을 것,
 - 적용 TERMINAL : (C025)ST731441-3 / (C060)ST731438-3, ST731439-3
 △적용 DUMMY SEAL : (C025)MG685518 / (C060)MG685519
 적용 CONNECTOR : MG646302
 - 제품내 함유된 6대 유해물질 (납,수은, 카드뮴, 6가크롬, PBBs, PBDEs)은 EU ELV 지침 및 RoHS 법규에서 지정한 최대 허용 농도를 초과해서는 안된다.

- NOTE
- MUST BE FREE OF BURR, WELDLINE AND IMPERFECTION THAT AFFECT FUNCTION.
 - APPLICABLE TERMINAL : (C025)ST731441-3 / (C060)ST731438-3, ST731439-3
 △APPLICABLE DUMMY SEAL : (C025)MG685518 / (C060)MG685519
 APPLICABLE CONNECTOR : MG646302
 - 6 HAZARDOUS SUBSTANCES IN PARTS (LEAD, MERCURY, CADMIUM, HEXAVALENT CHROMIUM, PBBs, PBDEs) SHALL NOT EXCEED THE MAXIMUM PERMISSIBLE CONCENTRATION PRESCRIBED UNDER EU ELV DIRECTIVE & RoHS REGULATION.



NO.	MATERIAL	COLOR
0	P B T	NATURAL
1		RED
2		BLUE
20		JADE
3		YELLOW
* 4		GRAY
40		DARK GRAY
41		LIGHT GRAY
5		BLACK
6		DARK GREEN
7		BROWN
8	LIGHT GREEN	
9	MAGENTA	
11	ORANGE	

APPROVED

2021-11-02

KOREA ELECTRIC
TERMINAL CO., LTD.
Korea Electric Te
rminal Co., LTD.

ISSUE MARK

NO.	PART NAME	PART NO.	MATERIAL	COLOR	QTY.
1	025060 WP 27F HOUSING_B	MG677435	SEE TABLE	SEE TABLE	1
2	025060 WP 27F TPA_B	MG677438	PBT	BLACK	1
3	025060 WP 27F LEVER	MG676729	POM	BLACK	1
4	025060 WP 27F INNER SEAL	R603480	SILICONE	RED	1

MATERIAL	SEE TABLE	KET ENGINEERED	KOREA ELECTRIC TERMINAL CO., LTD.
FINISH	SEE TABLE		CLASS
WIRE RANGE		INSULATION	WP
LTR	REVISION RECORD	DR, CHK, APP, DATE	TOLERANCE EXCEPT AS NOTED
DR, JY, K 2019. 11. 05	CHK,	SCALE	1/1
CHK, WDH 2019. 11. 05	APP, CMS 2019. 11. 05	PART_NO.	MG657072
		PART_NAME	025060 WP 27F ASSY_B