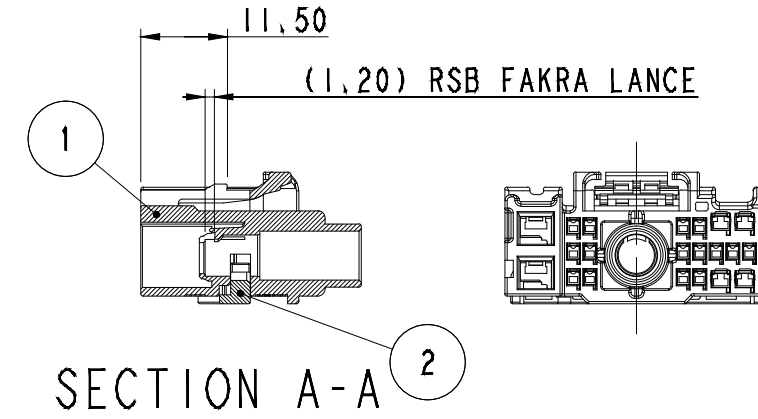
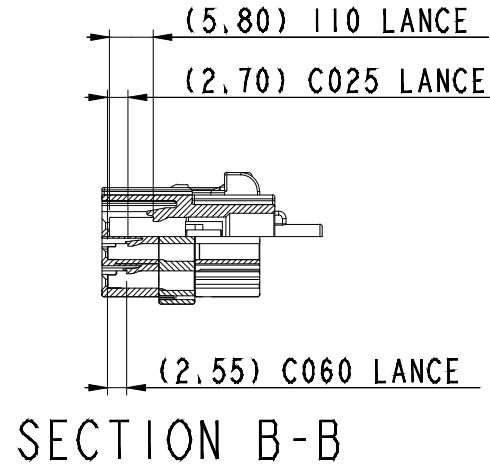
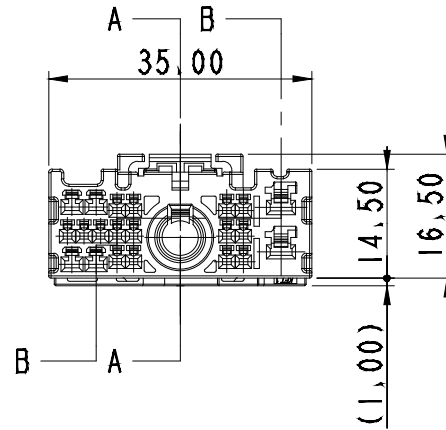
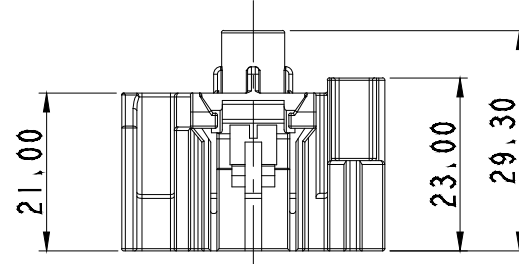
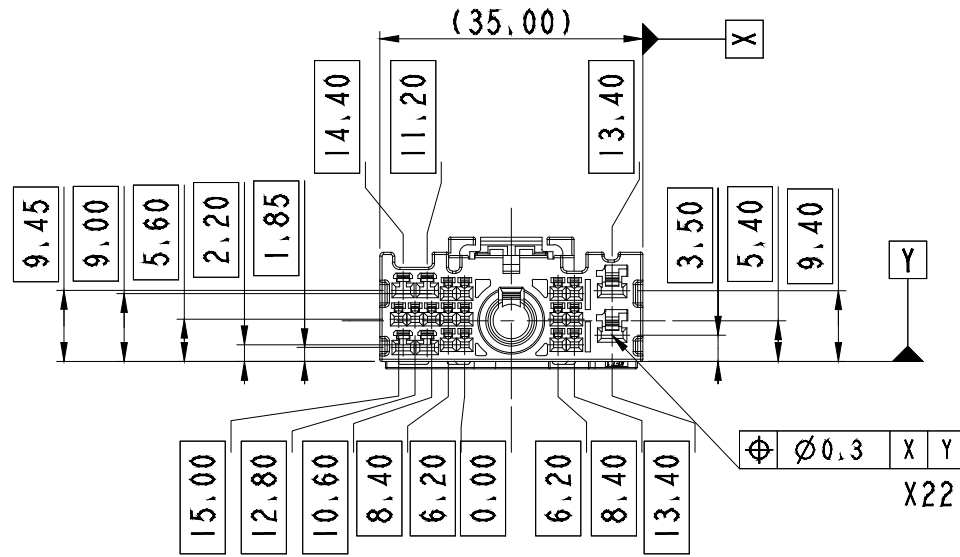


ISO VIEW

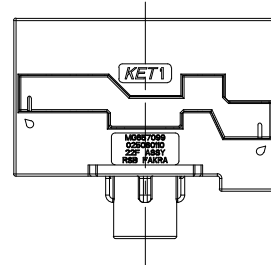


GENERAL TOLERANCE (HOUSING)										USED ON
10 MAX	30 MAX	50 MAX	70 MAX	100 MAX	120 MAX	250 MAX	250 VR	ANGLE	ECCENT	
±0.15	±0.2	±0.3	±0.4	±0.5	±0.75	±0.9	±1.4	±30'	0.1	

NO.	MATERIAL	COLOR
0	P B T	NATURAL
1		RED
11		ORANGE
2		BLUE
22		JADE
3		YELLOW
4		GRAY
41		LIGHT GRAY
42		DARK GRAY
5	BLACK	
61	LIGHT GREEN	
62	DARK GREEN	
7	BROWN	
9	MAGENTA	

NOTE

- MUST BE FREE OF FLASH, WELDLINE AND IMPERFECTION THAT AFFECT FUNCTION.
- 6 HAZARDOUS SUBSTANCES IN PARTS (LEAD, MERCURY, CADMIUM, HEXAVALENT CHROMIUM, PBBs, PBDEs) SHALL NOT EXCEED THE MAXIMUM PERMISSIBLE CONCENTRATION PRESCRIBED UNDER EU ELV DIRECTIVE & RoHS REGULATION.
- APPLICABLE TERMINAL(C025) : ST731409, ST731410
 APPLICABLE TERMINAL(C060) : ST731411, ST731412, ST731413
 APPLICABLE TERMINAL(I10) : ST731279, ST731280, ST731281, ST731520
 APPLICABLE TERMINAL(ROSENBERGER FAKRA) :
 59K130-1M4A4, 59K130-102A4 (2th Generation)
 59K16B-1M4T4, 59K16B-102T4 (3th Generation)



주 기

- 가능상 유해한 BURR 및 WELDLINE 등이 없을 것.
- 제품내 함유된 6대 유해물질 (납, 수은, 카드뮴, 6가크롬, PBBs, PBDEs) 은 EU ELV 지침 및 RoHS 법규에서 지정한 최대 허용 농도를 초과해서 는 안된다.
- 적용 TERMINAL(C025) : ST731409, ST731410
 적용 TERMINAL(C060) : ST731411, ST731412, ST731413
 적용 TERMINAL(I10) : ST731279, ST731280, ST731281, ST731520
 적용 TERMINAL(ROSENBERGER FAKRA) :
 59K130-1M4A4, 59K130-102A4 (2세대)
 59K16B-1M4T4, 59K16B-102T4 (3세대)

APPROVED

2021-11-02

KOREA ELECTRIC
 TERMINAL CO., LTD.
 Korea Electric Te
 rminial Co., LTD.

ISSUE MARK

NO	PART NO.	PART NAME	MATERIAL	FINISH	Q'TY
1	MG677487	025060110 22F HOUSING RSB(FAKRA)	PBT	SEE TABLE	1
2	MG677489	025060110 22F SPACER RSB(FAKRA)	PBT	NATURAL	1

MATERIAL	SEE TABLE	KOREA ELECTRIC TERMINAL CO., LTD.
FINISH	SEE TABLE	
WIRE RANGE		CLASS C025 / C060 / I10 / RSB FAKRA
INSULATION		TYPE NON WP
TOLERANCE EXCEPT AS NOTED	SEE TABLE	SCALE 1/1
PART_NAME	025060110 22F ASSY RSB (FAKRA)	

LTR	REVISION RECORD	DR.	CHK.	APP.	DATE
		LJJ	AJH	CMS	20.03.18