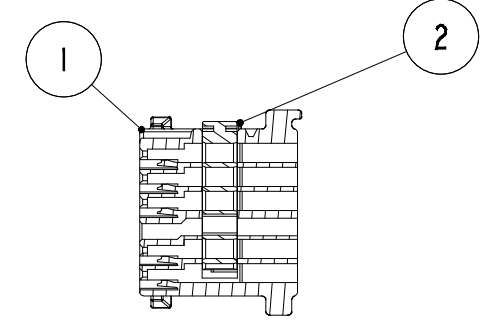
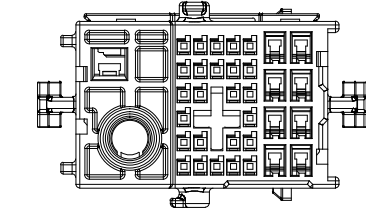
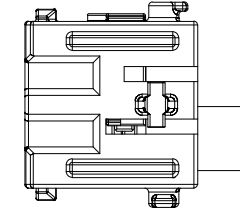


GENERAL TOLERANCE (HOUSING)										USED ON
10 MAX	30 MAX	50 MAX	70 MAX	100 MAX	120 MAX	250 MAX	250 VR	ANGLE	ECCENT	
±0.15	±0.2	±0.3	±0.4	±0.5	±0.75	±0.9	±1.4	±30'	0.1	

- 주 기
- 기능상 유해한 BURR 및 WELDLINE 등이 없을 것,
 - 적용 TERMINAL(025) : ST731374-3, ST731375-3, ST731374-G, ST731375-G
 적용 TERMINAL(060) : ST731334-3, ST741335-3, ST741336-3
 적용 TERMINAL(110) : ST731279-3, ST731280-3, ST731281-3, ST731520-3
 적용 TERMINAL(RSB FAKRA) : 59K130-1M4A4, 59K130-102A4 (2세대)
 59K16B-1M4T4, 59K16B-102T4 (3세대)
 - 적용 LEVER : MG635739
 적용 CONNECTOR : MG646333
3. 제품내 함유된 6대 유해물질 (납, 수은, 카드뮴, 6가크롬, PBBs, PBDEs)은 EU ELV 지침 및 RoHS 법규에서 지정한 최대 허용 농도를 초과해서는 안된다,



SECTION A-A

- NOTE
- MUST BE FREE OF FLASH, WELDLINE AND IMPERFECTION THAT AFFECT FUNCTION.
 - APPLICABLE TERMINAL(025) : ST731374-3, ST731375-3, ST731374-G, ST731375-G
 APPLICABLE TERMINAL(060) : ST731334-3, ST741335-3, ST741336-3
 APPLICABLE TERMINAL(110) : ST731279-3, ST731280-3, ST731281-3, ST731520-3
 APPLICABLE TERMINAL(RSB FAKRA) : 59K130-1M4A4, 59K130-102A4 (2nd Generation)
 59K16B-1M4T4, 59K16B-102T4 (3rd Generation)
 - APPLICABLE LEVER : MG635739
 APPLICABLE CONNECTOR : MG646333
3. 6 HAZARDOUS SUBSTANCES IN PARTS (LEAD, MERCURY, CADMIUM, HEXAVALENT CHROMIUM, PBBs, PBDEs) SHALL NOT EXCEED THE MAXIMUM PERMISSIBLE CONCENTRATION PRESCRIBED UNDER EU ELV DIRECTIVE & RoHS REGULATION.

NO.	MATERIAL	COLOR
0	PBT	NATURAL
1		RED
11		ORANGE
* 2		BLUE
22		JADE
3		YELLOW
4		GRAY
41		LIGHT GRAY
42		DAKR GRAY
5		BLACK
61	LIGHT GREEN	
62	DARK GREEN	
7	BROWN	
9	MAGENTA	

NO.	PART NAME	PART NO.	MATERIAL	COLOR	QTY.
1	025060110 35F HOUSING_RSB(FAKRA)	MG677496	SEE TABLE	SEE TABLE	1
2	025060110 35F SPACER_RSB(FAKRA)	MG677497	PBT	NATURAL	1



ISSUE MARK

MATERIAL	SEE TABLE
FINISH	SEE TABLE
WIRE RANGE	-
INSULATION	-
TOLERANCE EXCEPT AS NOTED	SEE TABLE
SCALE	1/1
PART_NAME	025060110 35F ASSY_RSB(FAKRA)
ECO-2003-263 근거 도면 변경	YCH WDH CMS 20.03.17
도면 이력(개발->생산) ECO-2002-209 근거 도면 재작성	YCH WDH CMS 20.02.20
LTR REVISION RECORD	DR, CHK, APP, DATE
DR, YCH 2019.05.16	CHK, WDH 2019.05.16
CHK,	APP, CMS 2019.05.16

KET KOREA ELECTRIC TERMINAL CO., LTD.
ENGINEERED

CLASS 025/060/110/FAKRA
 TYPE 비방수
 PART NO. MG657101