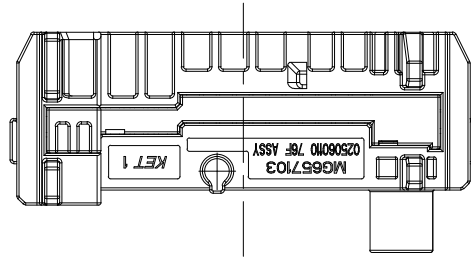
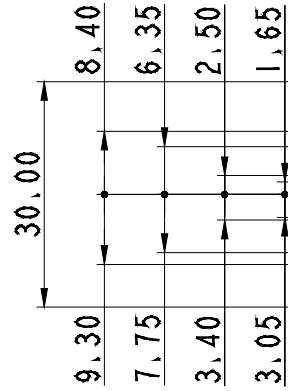
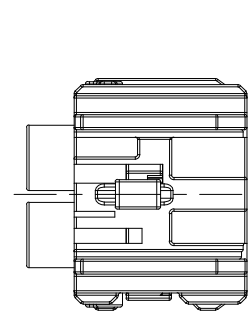
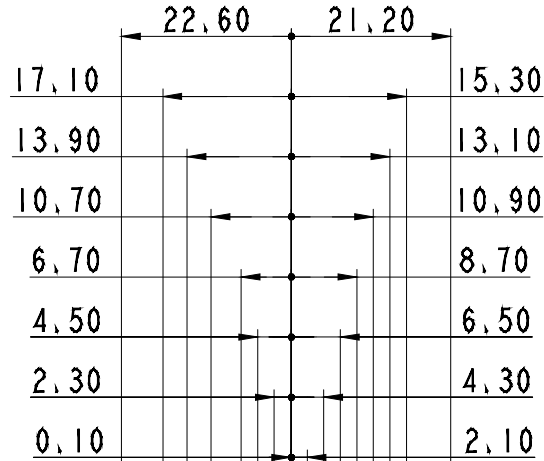
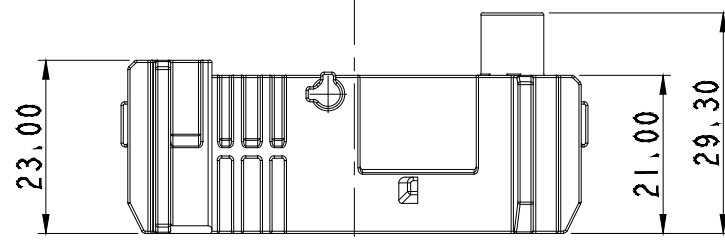


ISO VIEW



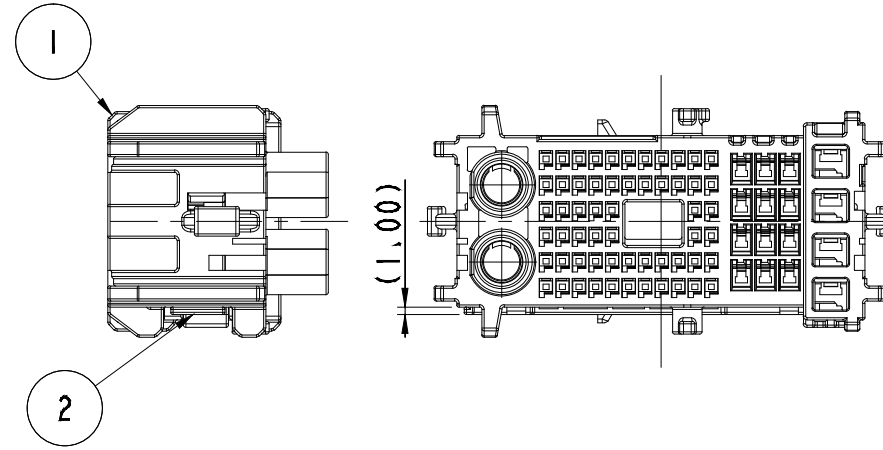
GENERAL TOLERANCE (HOUSING)

10 MAX	30 MAX	50 MAX	70 MAX	100 MAX	120 MAX	250 MAX	250 VR	ANGLE	ECCENT	USED ON
±0.15	±0.2	±0.3	±0.4	±0.5	±0.75	±0.9	±1.4	±30'	0.1	

NOTE

- MUST BE FREE OF BURR, WELDLINE AND IMPERFECTION THAT AFFECT FUNCTION.
- APPLICABLE TERMINAL(02511) : ST731374-3, 1375-3, 1374-G, 1375-G  
 APPLICABLE TERMINAL(N060) : ST731334-3, 1335-3, 1336-3, 1478-3, 1486-3  
 APPLICABLE TERMINAL(110) : ST731279-3, 1280-3, 1281-3, 1480-3, 1481-3, 1520-3  
 APPLICABLE TERMINAL(RSB FAKRA) : 59K130-1M4A4, 59K130-102A4 (2th Generation), 59K16B-1M4T4, 59K16B-102T4 (3th Generation)  
 APPLICABLE CONNECTOR : MG646303  
 APPLICABLE LEVER : MG635743-41
- 6 HAZARDOUS SUBSTANCES IN PARTS (LEAD, MERCURY, CADMIUM, HEXAVALENT CHROMIUM, PBBs, PPDEs) SHALL NOT EXCEED THE MAXIMUM PERMISSIBLE CONCENTRATION PRESCRIBED UNDER EU ELV DIRECTIVE & RoHS REGULATION.

NO.	MATERIAL	COLOR
0	P B T	NATURAL
1		RED
2		BLUE
20		JADE
3		YELLOW
4		GRAY
40		DARK GRAY
41		LIGHT GRAY
5		BLACK
6		DARK GREEN
7		BROWN
8	LIGHT GREEN	
9	MAGENTA	
11	ORANGE	



주 기

- 기능상 유해한 BURR 및 WELDLINE 등이 없을 것.
- 적용 TERMINAL(02511) : ST731374-3, 1375-3, 1374-G, 1375-G  
 적용 TERMINAL(N060) : ST731334-3, 1335-3, 1336-3, 1478-3, 1486-3  
 적용 TERMINAL(110) : ST731279-3, 1280-3, 1281-3, 1480-3, 1480-3, 1520-3  
 적용 TERMINAL(RSB FAKRA) : 59K130-1M4A4, 59K130-102A4 (2세대), 59K16B-1M4T4, 59K16B-102T4 (3세대)  
 적용 CONNECTOR : MG646303  
 적용 LEVER : MG635743-41
- 제품내 함유된 6대 유해물질(납, 수은, 카드뮴, 6가크롬, PBBs, PBDEs)은 EU ELV 지침 및 RoHS 법규에서 지정한 최대 허용 농도를 초과해서는 안된다.

APPROVED

2021-04-02

KOREA ELECTRIC TERMINAL CO., LTD.  
Korea Electric Terminal Co., LTD.

ISSUE MARK

No.	PART NAME	PART No.	MATERIAL	COLOR	QTY.
1	025060110 76F HOUSING_RSB(FAKRA)	MG677500	PBT	SEE TABLE	1
2	025060110 76F SPACER_RSB(FAKRA)	MG677501	PBT	NATURAL	1

MATERIAL	SEE TABLE	<b>KET</b> KOREA ELECTRIC TERMINAL CO., LTD. ENGINEERED
FINISH	SEE TABLE	
WIRE RANGE		CLASS HYBRID
INSULATION		TYPE 025/060/110/FAKRA
LTR	REVISION RECORD	DR. CHK. APP. DATE
DR. MSJ 2019,05,23	CHK.	
CHK. HYJ 2019,05,23	APP. CJH 2019,05,23	
TOLERANCE EXCEPT AS NOTED	SEE TABLE	SCALE 1/1
PART_NAME	025060110 76F ASSY_RSB(FAKRA)	