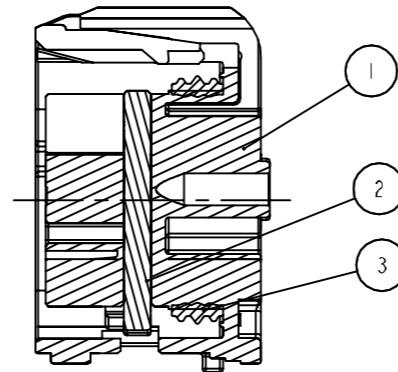
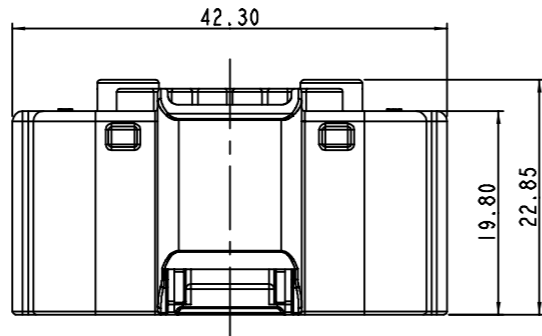
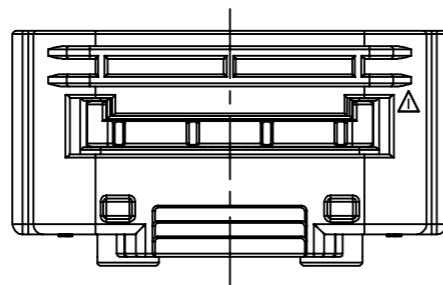
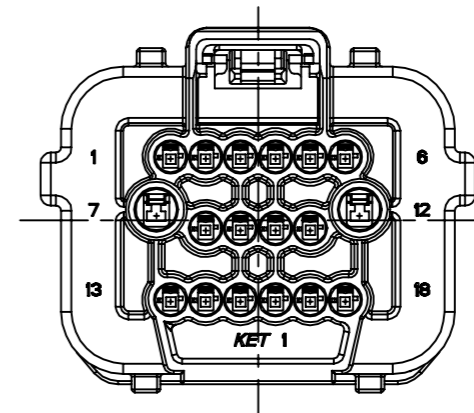
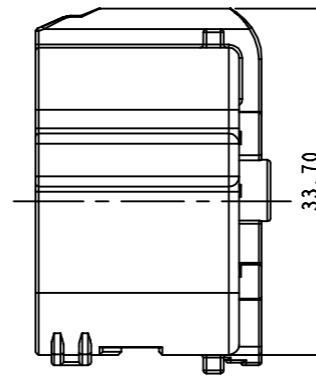
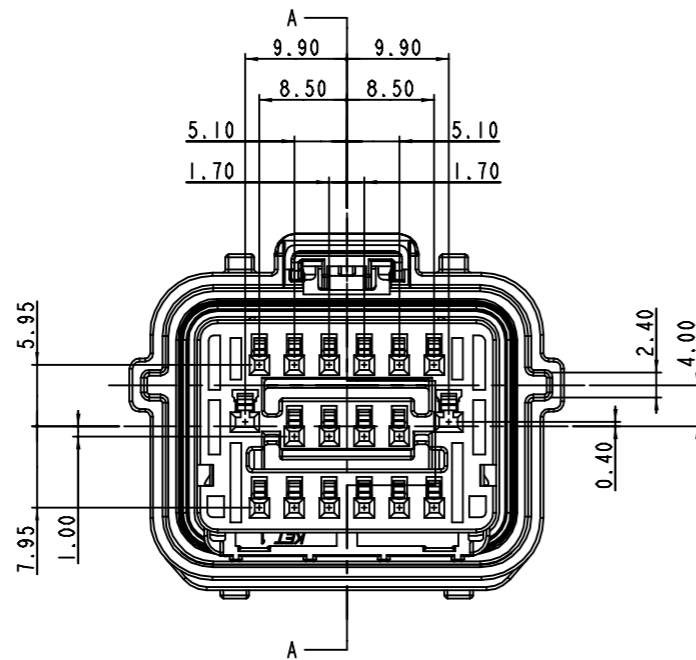
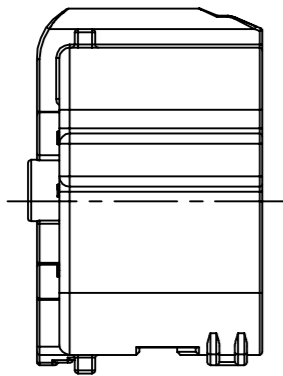


ISO VIEW



SECTION A-A



GENERAL TOLERANCE (HOUSING)										USED ON
10MAX	30MAX	50MAX	70MAX	100MAX	120MAX	250MAX	250VR	ANGLE	ECCENT	
±0.15	±0.2	±0.3	±0.4	±0.50	±0.75	±0.90	±1.4	±30'	0.1	

- 주
 1. 기능상 유해한 BURR 및 WELDLINE 등이 없을 것.
 2. 적용 TERMINAL : (C025) ST731441-3
 (C060) ST731438, ST731439-3
 적용 CONNECTOR : MG646357
 적용 DUMMY SEAL : (C025) MG685518
 (C060) MG685519
 3. 제품내 함유된 6대 유해물질 (납,수은,카드뮴,6가크롬, PBBs, PBDEs)은 EU ELV 지침 및 RoHS 법규에서 지정한 최대 허용 농도를 초과해서는 안된다.

- NOTE
 1. MUST BE FREE OF FLASH, WELDLINE AND IMPERFECTION THAT AFFECT FUNCTION.
 2. APPLICABLE TERMINAL : (C025) ST731441-3, ST731442-3
 (C060) ST731438, ST731439
 APPLICABLE CONNECTOR: MG646357
 APPLICABLE DUMMY SEAL : (C025) MG685518
 (C060) MG685519
 3. 6 HAZARDOUS SUBSTANCES IN PARTS (LEAD, MERCURY, CADMIUM, HEXAVALENT CHROMIUM, PBBs, PBDEs) SHALL NOT EXCEED THE MAXIMUM PERMISSIBLE CONCENTRATION PRESCRIBED UNDER EU ELV DIRECTIVE & RoHS REGULATION.

NO.	MATERIAL	COLOR
0		NATURAL
1	SEE TABLE	RED
11		ORANGE
2		BLUE
22		JADE
3		YELLOW
4		GRAY
41		LIGHT GRAY
42		DARK GRAY
* 5		BLACK
61		LIGHT GREEN
62		DARK GREEN
7		BROWN
9		MAGENTA

NO	PART NO.	PART NAME	MATERIAL	FINISH	Q'TY
1	MG677539-5	025060 WP 18F HOUSING	PBT	BLACK	1
2	MG677540	025060 WP 18F SPACER	PBT-GF30	NATURAL	1
3	R603855	025060 WP 18F INNER SEAL	SILICONE	RED	1

APPROVED

2021-11-01
 KOREA ELECTRIC TERMINAL CO., LTD.
 Korea Electric Terminal Co., LTD.

ISSUE MARK

MATERIAL	SEE TABLE	KET KOREA ELECTRIC TERMINAL CO., LTD.
FINISH	SEE TABLE	
WIRE RANGE	-	GLASS 025 / 060
INSULATION	-	TYPE WP
LTR	REVISION RECORD	DR. / CHK. / APP. / DATE
DR.	KJC 2019.08.02	CHK.
CHK.	AJH 2019.08.02	APP.
TOLERANCE	SEE TABLE	SCALE 2/1
PART NO.	MG657134	
PART NAME	025060 WP 18F ASSY	