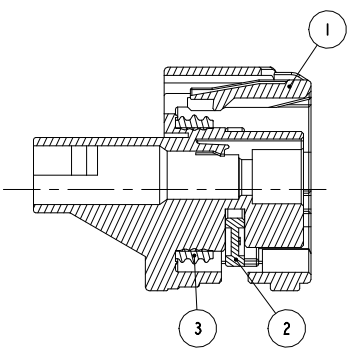
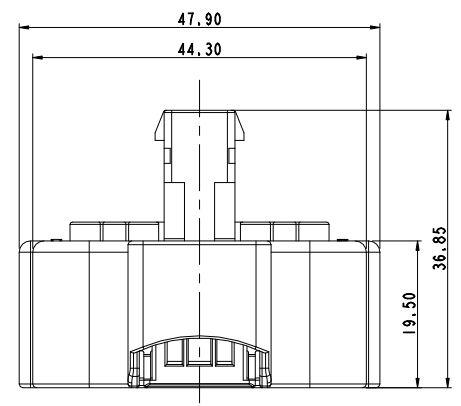
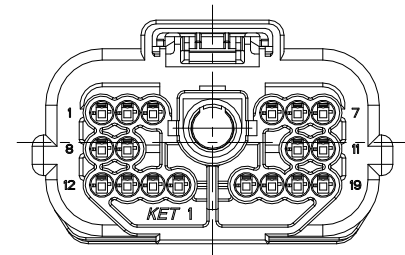
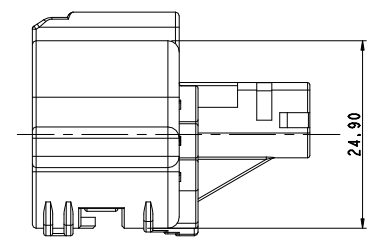
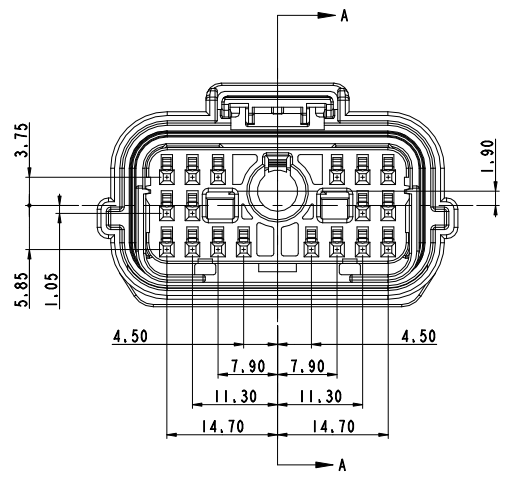


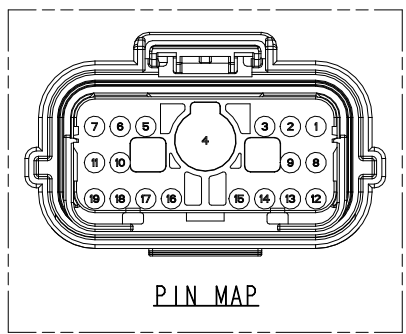
ISO VIEW



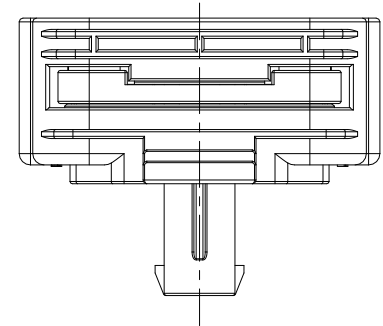
SECTION A-A



NO.	MATERIAL	COLOR
0	SEE TABLE	NATURAL
1	SEE TABLE	RED
11	SEE TABLE	ORANGE
2	SEE TABLE	BLUE
22	SEE TABLE	JADE
3	SEE TABLE	YELLOW
4	SEE TABLE	GRAY
41	SEE TABLE	LIGHT GRAY
42	SEE TABLE	DARK GRAY
* 5	SEE TABLE	BLACK
61	SEE TABLE	LIGHT GREEN
62	SEE TABLE	DARK GREEN
7	SEE TABLE	BROWN
9	SEE TABLE	MAGENTA



PIN MAP



GENERAL TOLERANCE (HOUSING)										USED ON
10MAX	30MAX	50MAX	70MAX	100MAX	120MAX	250MAX	250VR	ANGLE	ECCENT	
±0.15	±0.2	±0.3	±0.4	±0.50	±0.75	±0.90	±1.4	±30'	0.1	

- 주요
 1. 기능상 유해한 BURR 및 WELDLINE 등이 없을 것.
 2. 적용 TERMINAL: ST731441-7
 적용 FAKRA:

NAME	PRODUCT NO	NAME	PRODUCT NO
OUTER CONTACT	KR20203-20	WIRE	RG316 KR00802-00
TERMINAL	KR20301-20	WIRE	1.5DS KR00801-20
SUB SLEEVE	KR00406-20	SPACER	KR01000-20
DUMMY SEAL	MG685476	REAR SPACER	KR01001-20

적용 CONNECTOR : MG646380
 적용 DUMMY SEAL : (C025) MG685518 (FAKRA) MG685476
 적용 REAR HOLDER : MG635740-40

3. 제철내 함유된 6대 유해물질 (납, 수은, 카드뮴, 6가크롬, PBBs, PBDEs)은 EU ELV 지침 및 RoHS 법규에서 지정한 최대 허용 농도를 초과해서는 안된다.

- NOTE
 1. MUST BE FREE OF FLASH, WELDLINE AND IMPERFECTION THAT AFFECT FUNCTION.
 2. APPLICABLE TERMINAL: ST731441-7
 APPLICABLE FAKRA:

NAME	PRODUCT NO	NAME	PRODUCT NO
OUTER CONTACT	KR20203-20	WIRE	RG316 KR00802-00
TERMINAL	KR20301-20	WIRE	1.5DS KR00801-20
SUB SLEEVE	KR00406-20	SPACER	KR01000-20
DUMMY SEAL	MG685476	REAR SPACER	KR01001-20

APPLICABLE CONNECTOR: MG646380
 APPLICABLE DUMMY SEAL : (C025) MG685518 (FAKRA) MG685476

- APPLICABLE : MG635740-40
 3. 6 HAZARDOUS SUBSTANCES IN PARTS (LEAD, MERCURY, CADMIUM, HEXAVALENT CHROMIUM, PBBs, PBDEs) SHALL NOT EXCEED THE MAXIMUM PERMISSIBLE CONCENTRATION PRESCRIBED UNDER EU ELV DIRECTIVE & RoHS REGULATION.

NO	PART NO.	PART NAME	MATERIAL	FINISH	Q'TY
1	MG677628	C025 FAKRA WP 19F HOUSING	PBT	SEE TABLE	1
2	MG677629	C025 FAKRA WP 19F SPACER	PBT-GF30	NATURAL	1
3	R603908	C025 FAKRA WP 19F INNER SEAL	SILICONE	RED	1

REVISION RECORD		INSULATION		SCALE		PART NO.	
DR.	CHK.	DR.	CHK.	SCALE	PART NO.	MG657145	
DR. PYJ 2019.10.23	CHK.	DR.	CHK.	SCALE 2/1	PART NO.	MG657145	
CHK. AJH 2019.10.23	APP. CMS 2019.10.23	PART-NAME		C025 FAKRA WP 19F ASSY			

ISSUE MARK

