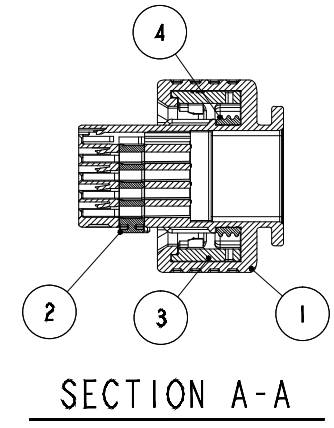
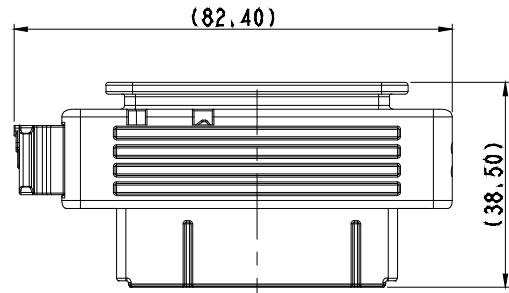
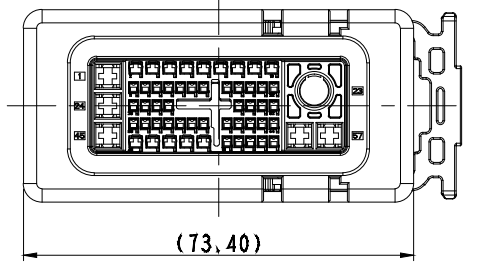
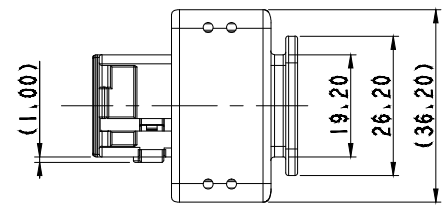
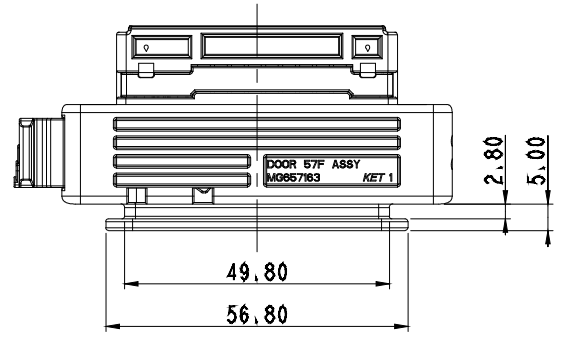
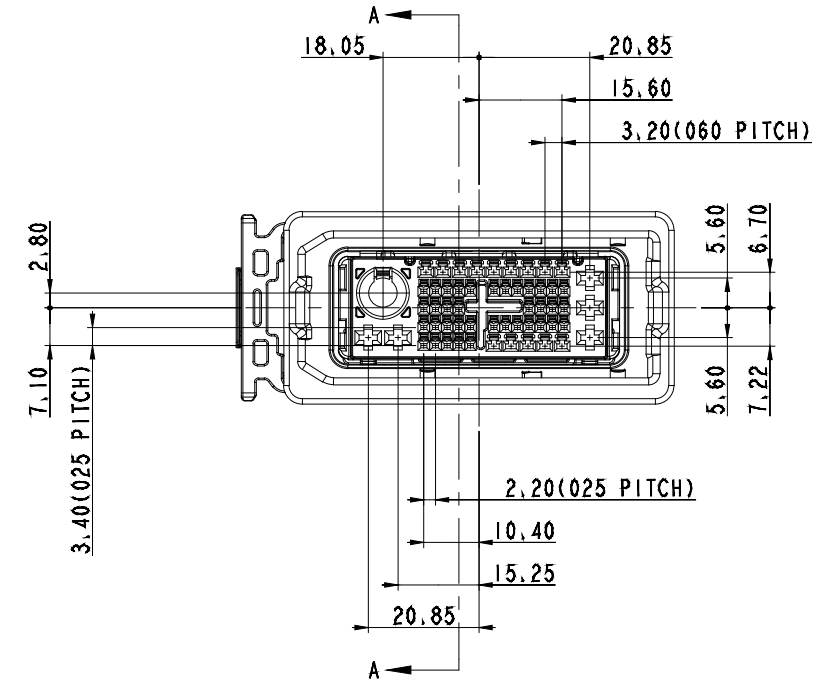
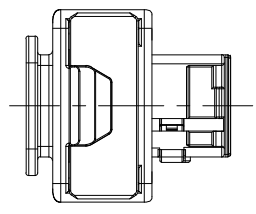


ISO VIEW



SECTION A-A



GENERAL TOLERANCE (HOUSING)										USED ON
10 MAX	30 MAX	50 MAX	70 MAX	100 MAX	120 MAX	250 MAX	250 VR	ANGLE	ECCENT	
±0.15	±0.2	±0.3	±0.4	±0.5	±0.75	±0.9	±1.4	±30'	0.1	

- 주 기
- 가 능 상 유 해 한 BURR 및 WELDLINE 등 이 없 을 것.
 - 적 용 TERMINAL(C025) : ST731409-7, ST731410-7, ST731409-G, ST731410-G (C025 Au(Gold) PARTIAL PLATING TERMINAL 3PIN 이하 적용할 것)
적 용 TERMINAL(C060) : ST731411-7, ST731412-7, ST731413-7
적 용 TERMINAL(N110) : ST731424-3, ST731425-3, ST731426-3
적 용 TERMINAL(FAKRA) : KR20203-20, KR00408-20, KR20301-20
적 용 CONNECTOR : MG646394
 - 제 품 내 함 유 된 6대 유 해 물 질 (납, 수은, 카드뮴, 6가 크롬, PBBs, PBDEs)은 EU ELV 지침 및 RoHS 법규에서 지정한 최대 허용 농도를 초과해서는 안된다.

- NOTE
- MUST BE FREE OF BURR, WELDLINE AND IMPERFECTION THAT AFFECT FUNCTION.
 - APPLICABLE TERMINAL(C025) : ST731409-7, ST731410-7, ST731409-G, ST731410-G (USE C025 Au(Gold) PARTIAL PLATING TERMINAL LESS THAN 3 PIN)
APPLICABLE TERMINAL(C060) : ST731411-7, ST731412-7, ST731413-7
APPLICABLE TERMINAL(N110) : ST731424-3, ST731425-3, ST731426-3
APPLICABLE TERMINAL(FAKRA) : KR20203-20, KR00408-20, KR20301-20
APPLICABLE CONNECTOR : MG646394
 - 6 HAZARDOUS SUBSTANCES IN PARTS (LEAD, MERCURY, CADMIUM, HEXAVALENT CHROMIUM, PBBs, PBDEs) SHALL NOT EXCEED THE MAXIMUM PERMISSIBLE CONCENTRATION PRESCRIBED UNDER EU ELV DIRECTIVE & RoHS REGULATION

PART LIST

NO.	PART NAME	PART NO.	MATERIAL	COLOR	Q'TY
1	025060110 FAKRA DOOR 57F HSG	MG677665	SEE TABLE	SEE TABLE	1
2	025060110 FAKRA DOOR 57F SPACER	MG677666-41	PBT	L/GRAY	1
3	025060110 FAKRA DOOR 57F SLIDE	MG677667-5	PBT+GF30%	BLACK	1
4	025060110 FAKRA DOOR 57F INNER SEAL	R603936	SILICON	RED	1

NO.	MATERIAL	COLOR
0	P B T	NATURAL
1		RED
2		BLUE
20		JADE
3		YELLOW
4		GRAY
40		DARK GRAY
41		LIGHT GRAY
* 5		BLACK
6		DARK GREEN
7		BROWN
8		LIGHT GREEN
9		MAGENTA
11		ORANGE



ISSUE MARK

MATERIAL	SEE TABLE	KOREA ELECTRIC TERMINAL CO., LTD.							
FINISH	SEE TABLE								
WIRE RANGE	CLASS 025/060/110/FAKRA								
INSULATION	TYPE	비방수							
LTR	REVISION RECORD	DR, JY, K 2020.02.12	CHK, WDH 2020.02.12	APP, CMS 2020.02.12	DATE	SCALE	1/1	PART NO.	MG657163
PART_NAME		025060110 FAKRA DOOR 57F ASSY							