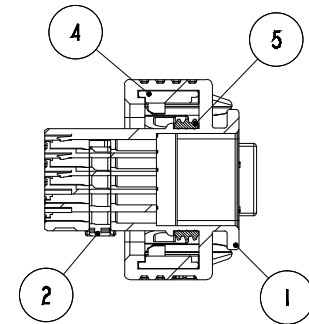
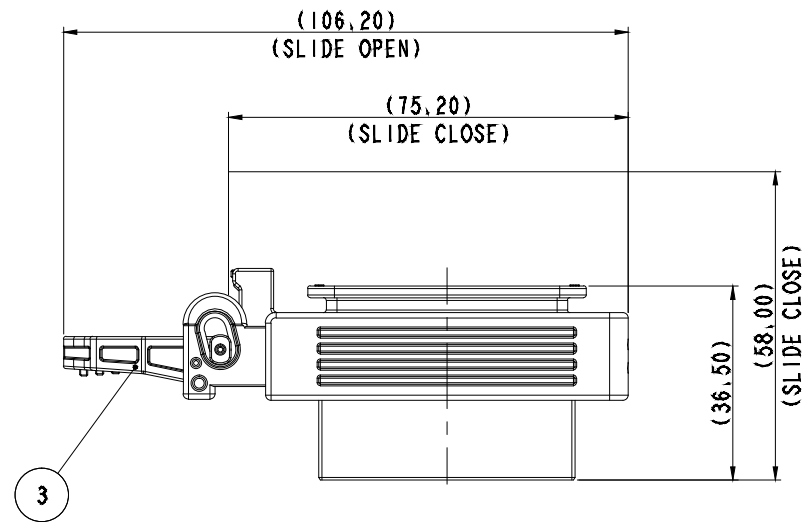
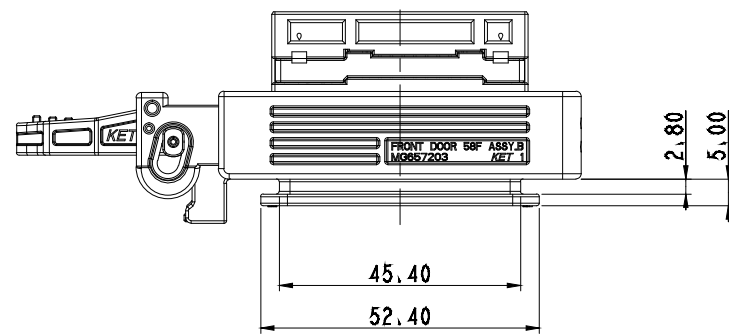
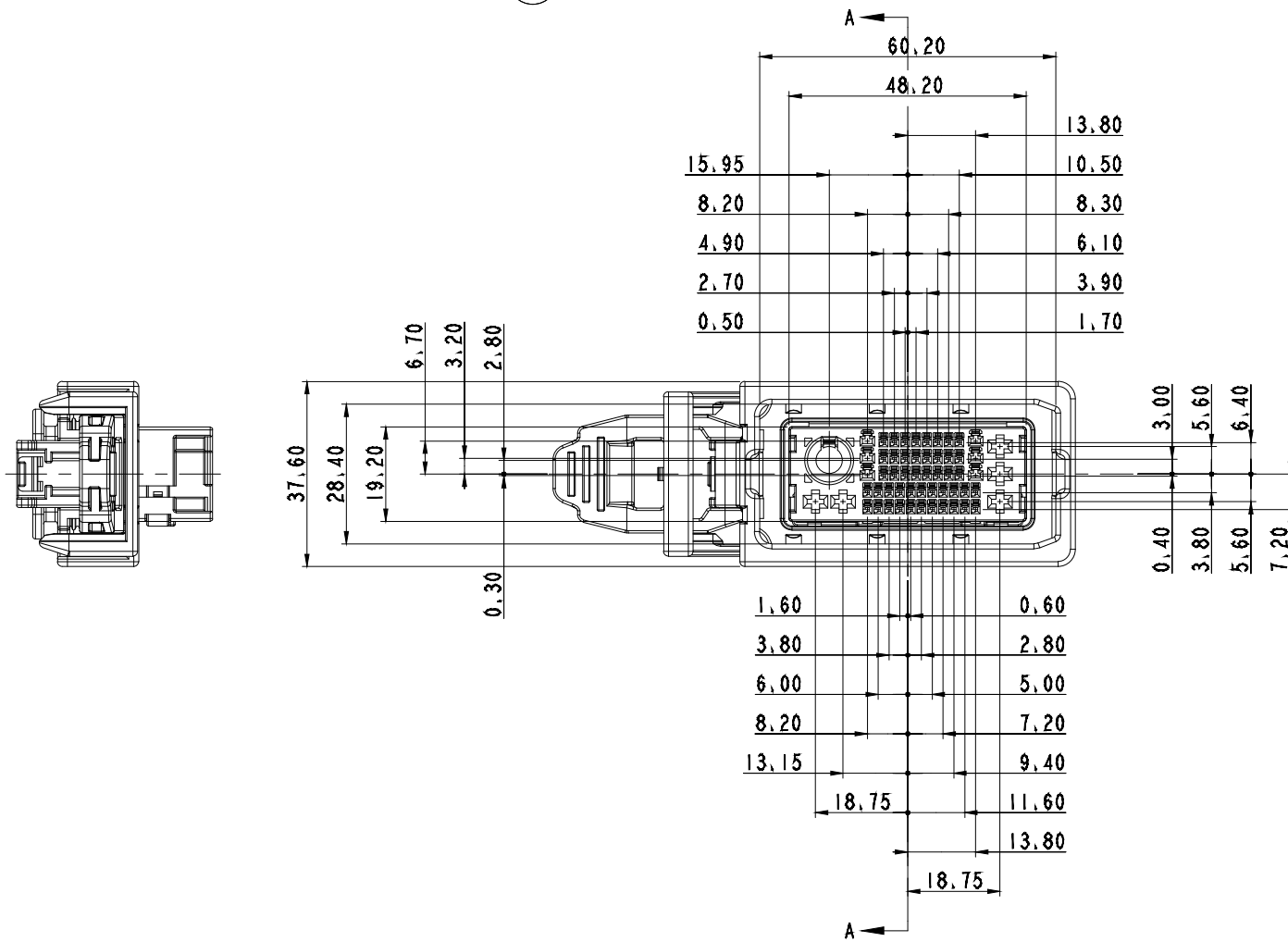


ISO VIEW



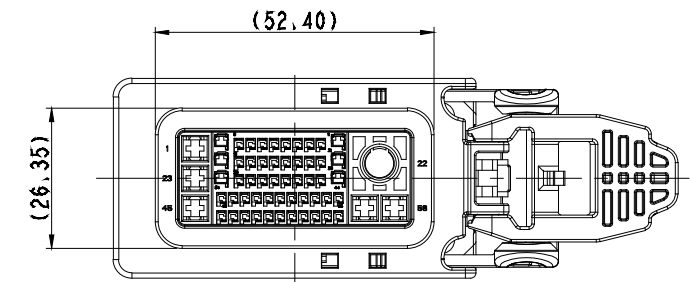
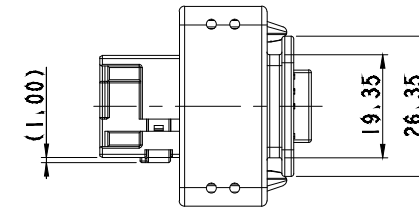
SECTION A-A



GENERAL TOLERANCE (HOUSING)										USED ON
10 MAX	30 MAX	50 MAX	70 MAX	100 MAX	120 MAX	250 MAX	250 VR	ANGLE	ECCENT	
±0.15	±0.2	±0.3	±0.4	±0.5	±0.75	±0.9	±1.4	±30'	0.1	

- 주  
 1. 기능상 유해한 BURR 및 WELDLINE 등이 없을 것.  
 2. 적용 TERMINAL(02511) : ST731374-3, ST731375-3  
 적용 TERMINAL(C060) : ST731411-3, ST731412-3, ST731413-3  
 적용 TERMINAL(N110) : ST731424-3, ST731425-3, ST731426-3  
 적용 TERMINAL(FAKRA) : KR20202-20, KR00404-20, KR20301-20  
 적용 CONNECTOR : MG646046  
 3. 제품내 함유된 6대 유해물질 (납,수은,카드뮴,6가크롬, PBBs,PBDEs)은 EU ELV 지침 및 RoHS 법규에서 지정한 최대 허용 농도를 초과해서는 안된다.

- NOTE  
 1. MUST BE FREE OF BURR, WELDLINE AND IMPERFECTION THAT AFFECT FUNCTION.  
 2. APPLICABLE TERMINAL(02511) : ST731374-3, ST731375-3  
 APPLICABLE TERMINAL(C060) : ST731411-3, ST731412-3, ST731413-3  
 APPLICABLE TERMINAL(N110) : ST731424-3, ST731425-3, ST731426-3  
 APPLICABLE TERMINAL(FAKRA) : KR20202-20, KR00404-20, KR20301-20  
 APPLICABLE CONNECTOR : MG646046  
 3. 6 HAZARDOUS SUBSTANCES IN PARTS (LEAD, MERCURY, CADMIUM, HEXAVALENT CHROMIUM, PBBs, PBDEs) SHALL NOT EXCEED THE MAXIMUM PERMISSIBLE CONCENTRATION PRESCRIBED UNDER EU ELV DIRECTIVE & RoHS REGULATION.



NO.	PART NAME	PART NO.	MATERIAL	COLOR	Q'TY
1	025060110 FAKRA FRONT DOOR 58F HSG.B	MG677774	SEE TABLE	SEE TABLE	1
2	025060110 FAKRA FRONT DOOR 58F SPACER.B	MG677775-3	PBT	YELLOW	1
3	025060110 FAKRA FRONT DOOR 58F LEVER	MG677095-5	PP+GF20%	BLACK	1
4	025060110 FAKRA FRONT DOOR 58F SLIDE	M677096-5	POM	BLACK	1
5	025060110 FAKRA FRONT DOOR 58F INNER SEAL	R603615	SILICONE	RED	1

NO.	MATERIAL	COLOR
0	PBT	NATURAL
1		RED
2		BLUE
20		JADE
3		YELLOW
4		GRAY
40		DARK GRAY
41		LIGHT GRAY
* 5		BLACK
6		DARK GREEN
7		BROWN
8	LIGHT GREEN	
9	MAGENTA	
11	ORANGE	



ISSUE MARK

MATERIAL	SEE TABLE	KET KOREA ELECTRIC TERMINAL CO., LTD.
FINISH	SEE TABLE	
WIRE RANGE		CLASS 025/060/110/FAKRA
INSULATION		TYPE 비병수
REVISION RECORD	DR, CHK, APP, DATE	PART NO. MG657203
DR, YSS 2020.06.25	CHK,	
CHK, A/JH 2020.06.25	APP, CMS 2020.06.25	PART NAME 025060110 FAKRA FRONT DOOR 58F ASSY.B