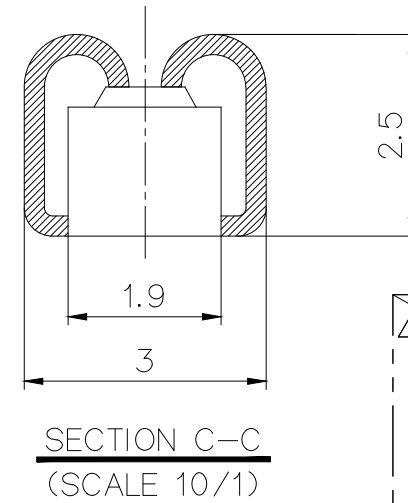
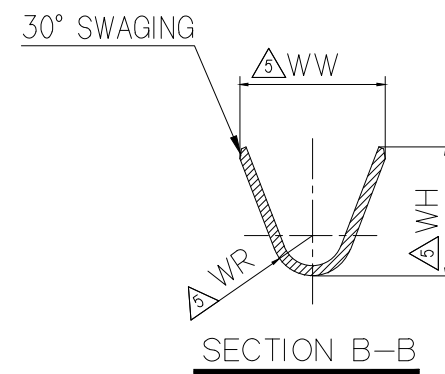
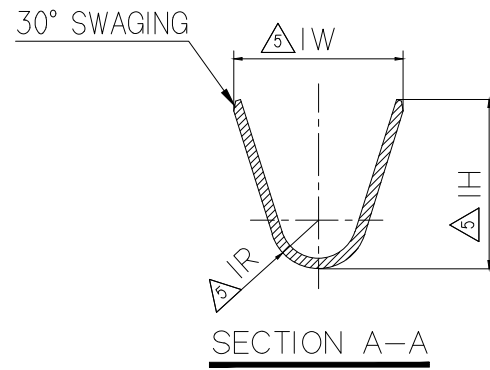
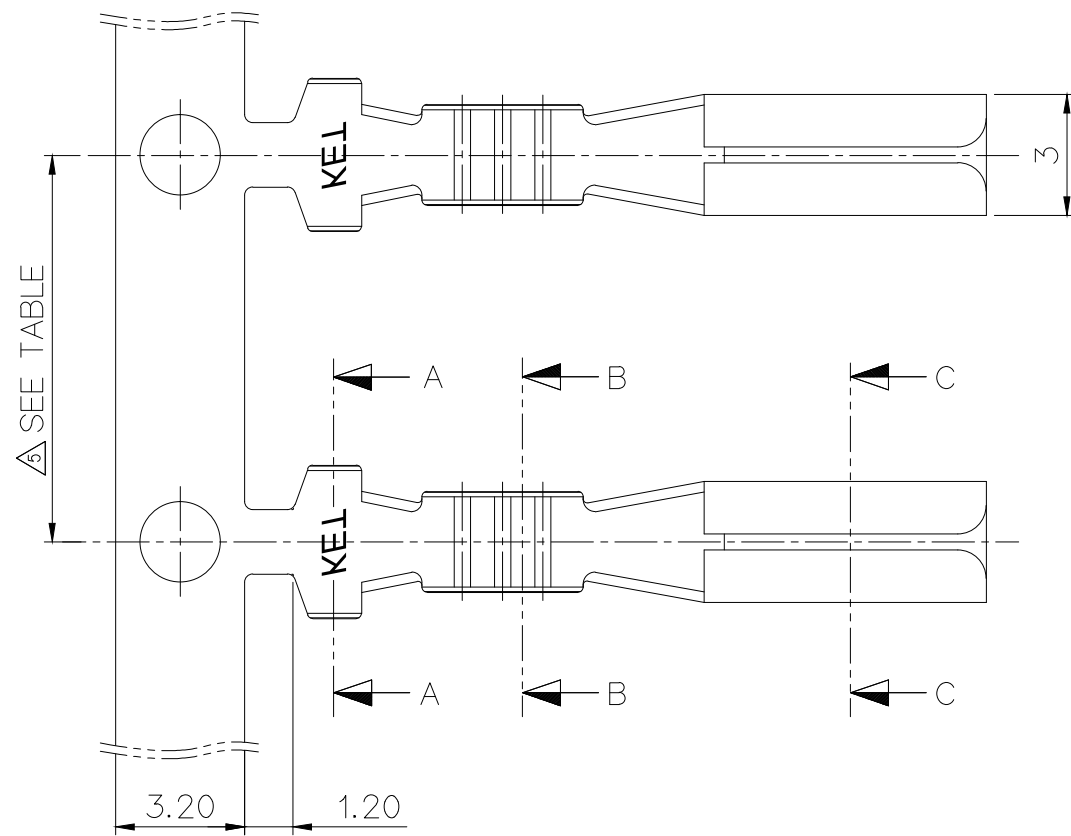


| GENERAL TOLERANCE (TERMINAL) | | | | | | USED ON |
|------------------------------|--------|--------|-------|-------|--------|---------|
| 10 MAX | 20 MAX | 45 MAX | 45 VR | ANGLE | ECCENT | |
| ±0.2 | ±0.25 | ±0.3 | ±0.5 | ±30' | 0.1 | |

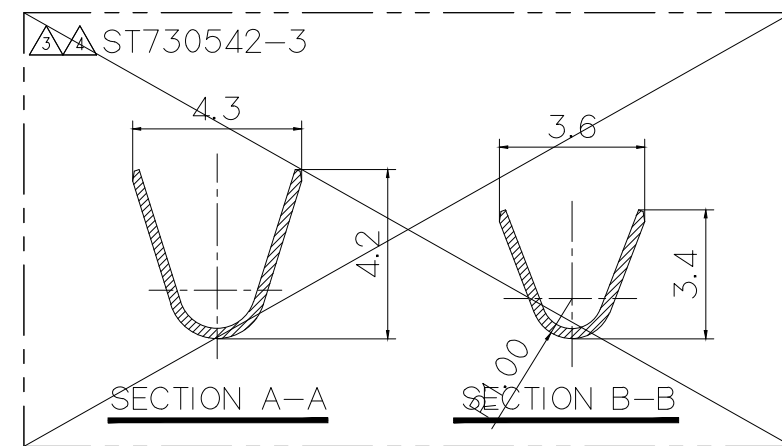
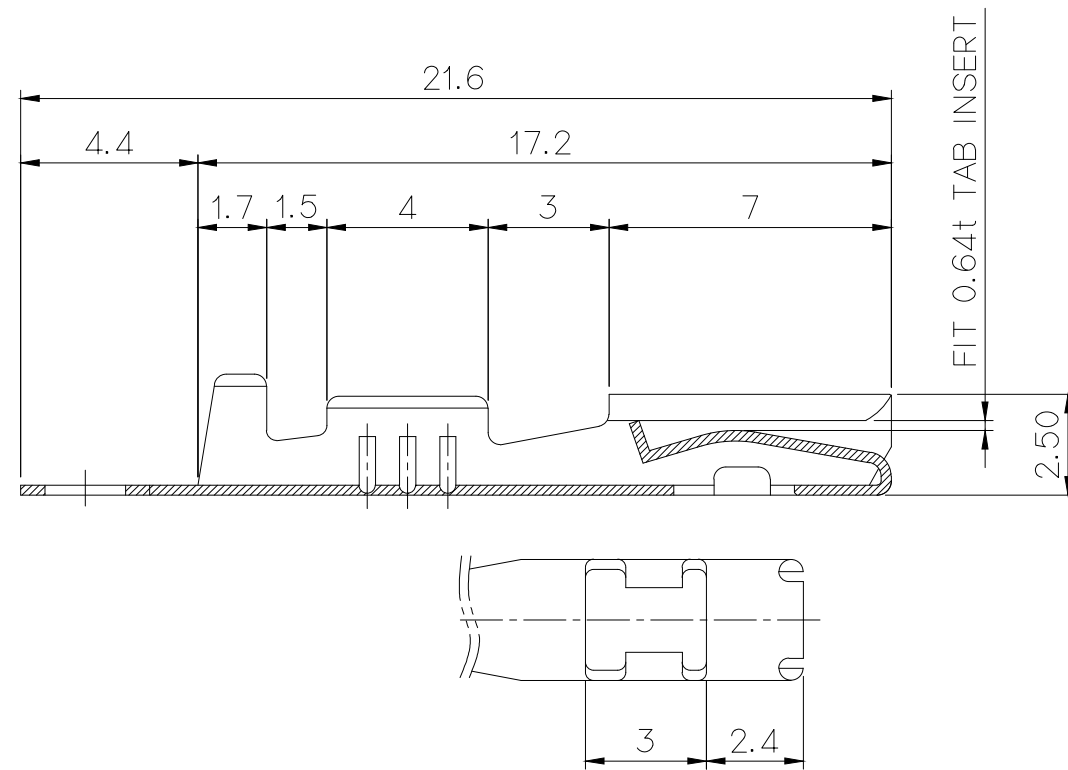


주 기

1. 지시없는 C,R=0.10으로 한다.
2. 기능상 유해한 흠,변형 및 BURR가 없을것.
3. 적용 상대 MALE TERMINAL : 0.64t TAB
4. 제품내 함유된 6대 유해물질 (납, 수은, 카드뮴, 6가크롬, PBBs, PBDEs)은 EU ELV 지침 및 RoHS 법규에서 지정한 최대 허용 농도를 초과해서는 안된다.

NOTE

1. UNLESS OTHERWISE SPECIFIED ALL RADII TO BE 0.10 RADIUS AND CAMPER.
2. MUST BE FREE OF FLASH, SINK AND IMPERFECTION THAT AFFECT FUNCTION.
3. APPLICABLE MALE TERMINAL : 0.64t TAB
4. 6 HAZARDOUS SUBSTANCES IN PARTS (LEAD, MERCURY, CADMIUM, HEXAVALENT CHROMIUM, PBBs, PBDEs) SHOULD NOT EXCEED THE MAXIMUM PERMISSIBLE CONCENTRATION PRESCRIBED UNDER EU ELV DIRECTIVE & RoHS REGULATION.



SEE TABLE

| NO | PART NO | MATERIAL | PITCH | WR | WH | WW | IR | IH | IW | WIRE RANGE |
|--------------|-----------------------|------------------|--------------|----------------|----------------|----------------|----------------|----------------|----------------|---------------------|
| 1 | ST730365-3 | BRASS | 11.0, 9.7 | 0.8 | 2.1 | 2.5 | 1.0 | 3.0 | 3.8 | AVSS 0.22-0.5 |
| 2 | ST731556-3 | BRASS | 9.7 | 0.8 | 2.5 | 2.3 | 1.0 | 3.0 | 3.8 | CIVUS 0.75 |
| 3 | ST730366-3 | BRASS | 11.0 | 1.0 | 3.2 | 3.6 | 1.2 | 4.2 | 4.2 | AVSS 0.85-1.25 |
| 4 | ST730508-3 | COPPER ALLOY | - | 1.0 | 3.4 | 3.6 | 1.2 | 4.2 | 4.3 | AVSS 2.0 |
| 5 | ST730542-3 | BRASS | - | 1.0 | 3.4 | 3.6 | 1.2 | 4.2 | 4.3 | AVSS 2.0 |

APPROVED

2020-12-09

KOREA ELECTRIC TERMINAL CO., LTD.
Korea Electric Terminal Co., LTD.

ISSUE MARK

| | | | | | | | | | | | |
|-------------------------------------|-----------------|------|-----|-----------|------------|-----------|-----------------------------------|------|---------------------------|-----------|----------|
| ECO-2003-043 세경와 전선용 Barrel 추가 건 | SSW | HJE | CKY | '20.03.03 | MATERIAL | SEE TABLE | KOREA ELECTRIC TERMINAL CO., LTD. | | | | |
| P/NO 삭제 (3곳) | | | | 96.05.02 | FINISH | PRE-TIN | | | | | |
| AVSS 2.0 추가적용 DIE 설정 | | | | 96.01.10 | WIRE RANGE | SEE TABLE | | | | | |
| SEE TABLE | | | | 95.03.27 | INSULATION | | | | | | |
| 적용 전선 범위 수정 | | | | 94.09.12 | | | | | | | |
| LTR | REVISION RECORD | | | | DR. | CHK. | APP. | DATE | TOLERANCE EXCEPT AS NOTED | SCALE | PART NO. |
| DR. | 86.02.18 | CHK. | | | ±0.0B1 0.2 | 5/1 | | | | SEE TABLE | |
| CHK. | 86.02.18 | APP. | | 86.02.18 | PART NAME | | 2.3mm SLIP-ON FEMALE TERMINAL | | | | |