

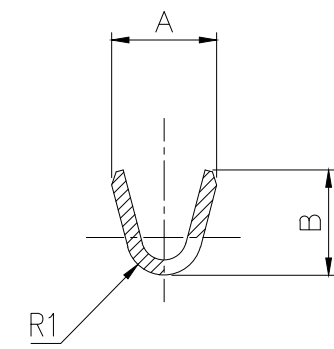
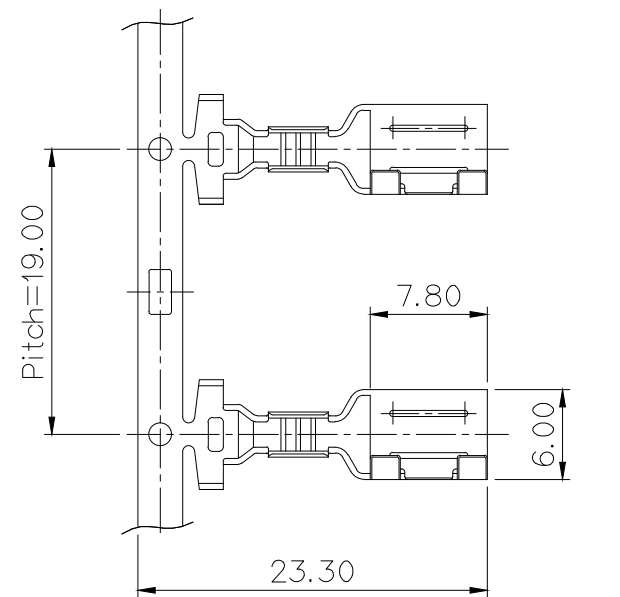
PART NO. SEE TABLE

CUSTOMER DRAWING

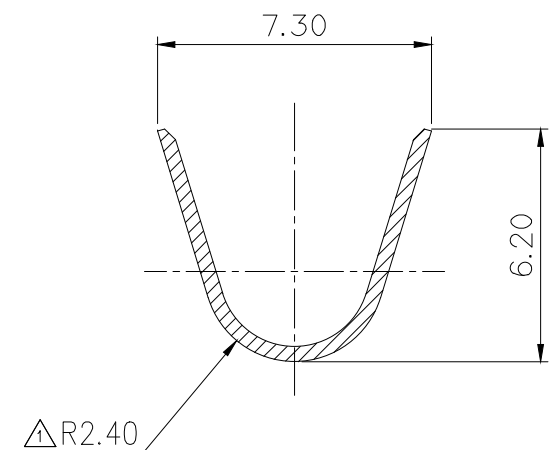
(DIMENSIONS IN MM)

PART NO.	BARREL	WIRE RANGE(mm ²)	MATERIAL	FINISH	WIRE BARREL			적 용 WIRE SEAL
					A	B	R1	
ST730715-3	AVS 0.3 - 0.85	BRASS	PRE-TIN	2.8	2.8	R1.0	MG681370(S)	
ST730716-3	AVS 1.25 - 2.0			3.6	3.6	R1.3	MG681371(M)	
ST730717-3	AVS 3.0			4.4	4.6	R1.5	MG681372(L)	
△ ST731436-4	AEXHF-BS 3.0	Copper-Alloy	Ag	4.4	4.6	R1.5		

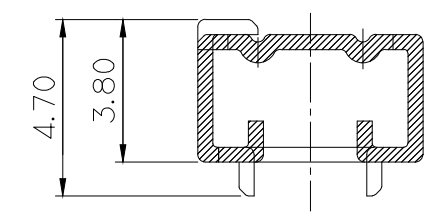
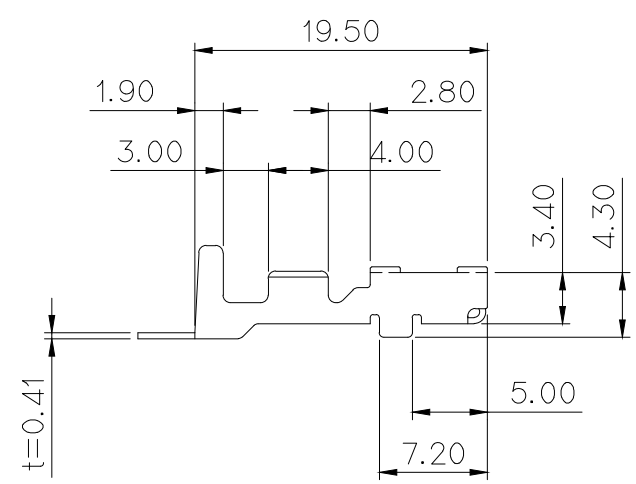
GENERAL TOLERANCE (TERMINAL)					USED ON
50MAX	100MAX	250MAX	ANGLE	ECCENT	
±0.20	±0.30	±0.50	±30'	0.10	



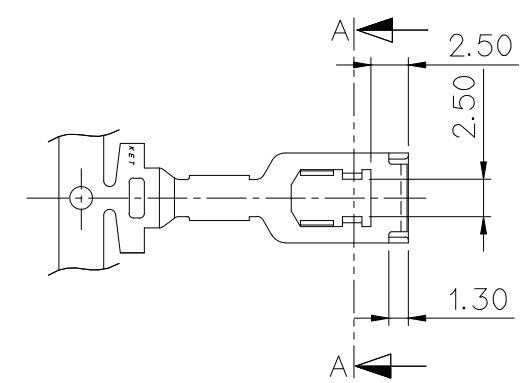
WIRE BARREL



INSULATION BARREL



SECTION A-A



NOTE

1. 기능상 유해한 BURR 및 변형이 없을 것.
2. 적용 CONN'T: 1809 W/P SERIES
3. TERMINAL 삽, 발거력: IN, OUT(초기) - 1.0Kgf이하
OUT(10회후) - 0.3Kgf이상

한국전자공업주식회사
2004
2016-03-11
KOREA ELECTRIC
TERMINAL CO., LTD.
Korea Electric Te
rminal Co., LTD.

MATERIAL	SEE TABLE	KET ENGINEERED	KOREA ELECTRIC TERMINAL CO., LTD.
FINISH	SEE TABLE		CLASS
WIRE RANGE		TYPE	
INSULATION		SCALE	PART NO.
LTR	REVISION RECORD	SEE TABLE	2/1
DR. WON. '97.8.04	CHK. 8/12	PART NAME	
CHK. 8/12	APP. 8/12	187 II W/P REC. TERMINAL	