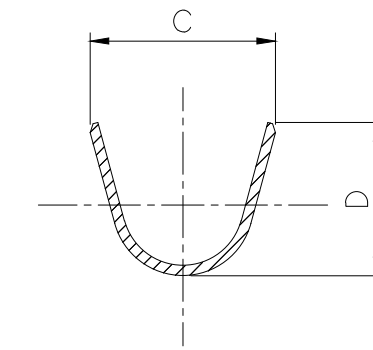
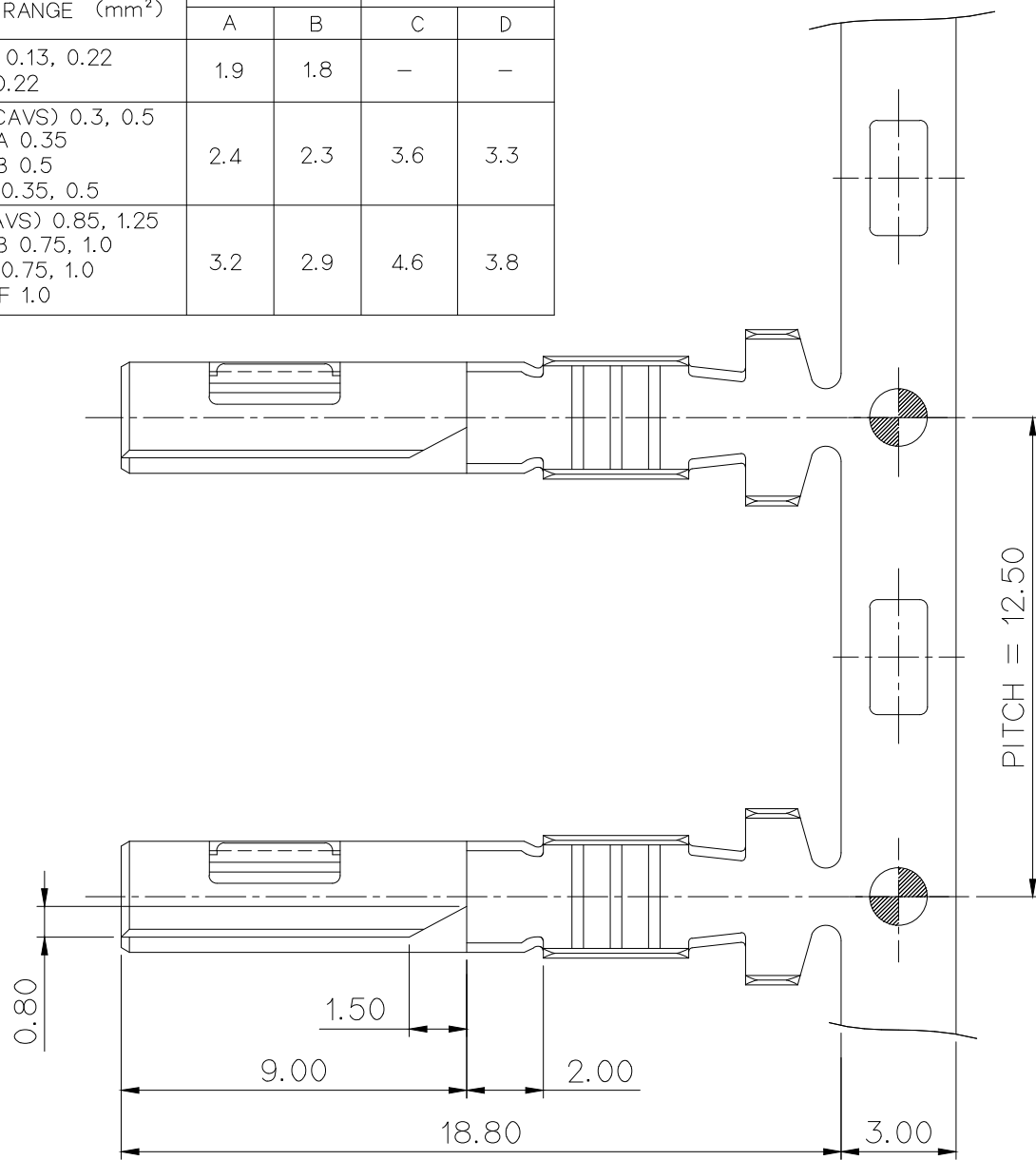


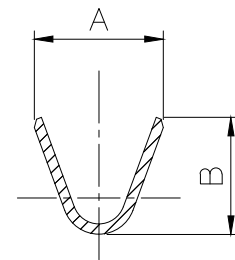
PART NO. SEE TABLE

CUSTOMER DRAWING

BARREL PART NO.	WIRE RANGE (mm <sup>2</sup> )	WIRE BARREL		INSULATION BARREL	
		A	B	C	D
ST731108-3 (SS)	CHFUS 0.13, 0.22 AVSS 0.22	1.9	1.8	-	-
ST731046-3 (S)	AVSS(CAVS) 0.3, 0.5 FLRY-A 0.35 FLRY-B 0.5 CIVUS 0.35, 0.5	2.4	2.3	3.6	3.3
ST731047-3 (M)	AVSS(CAVS) 0.85, 1.25 FLRY-B 0.75, 1.0 CIVUS 0.75, 1.0 AVSSXF 1.0	3.2	2.9	4.6	3.8

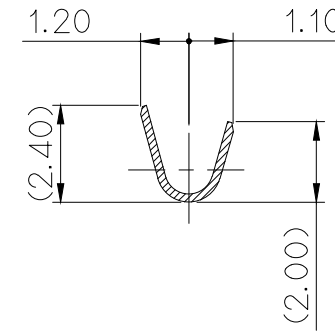


SECTION B-B

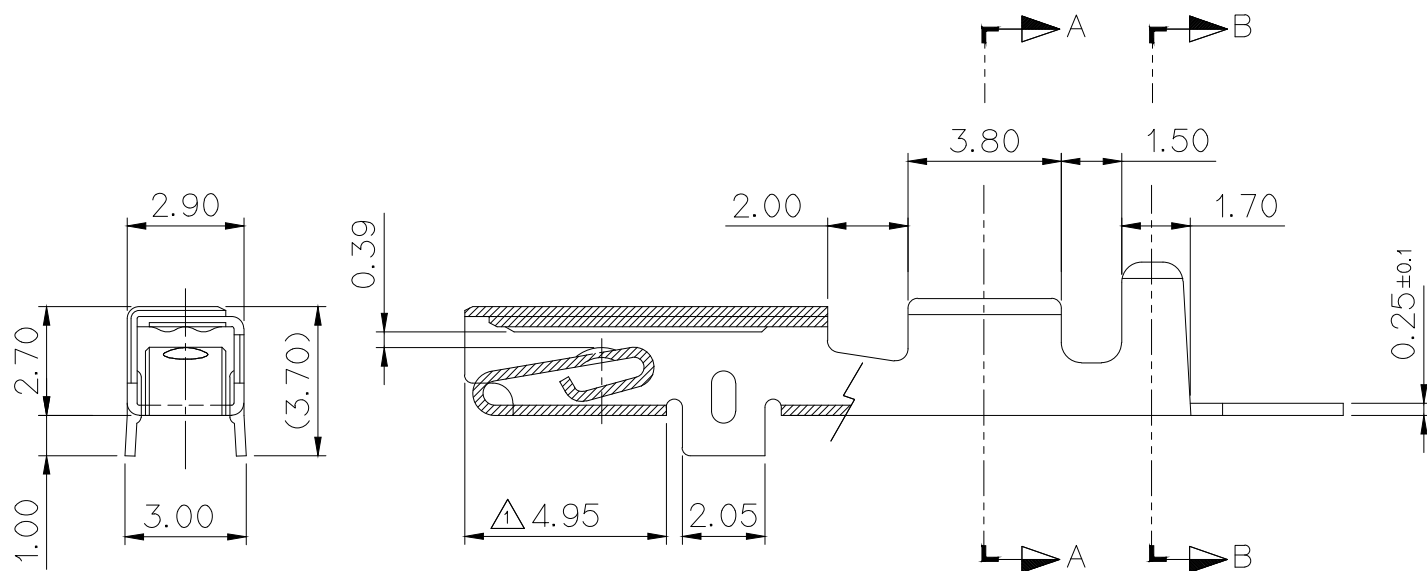
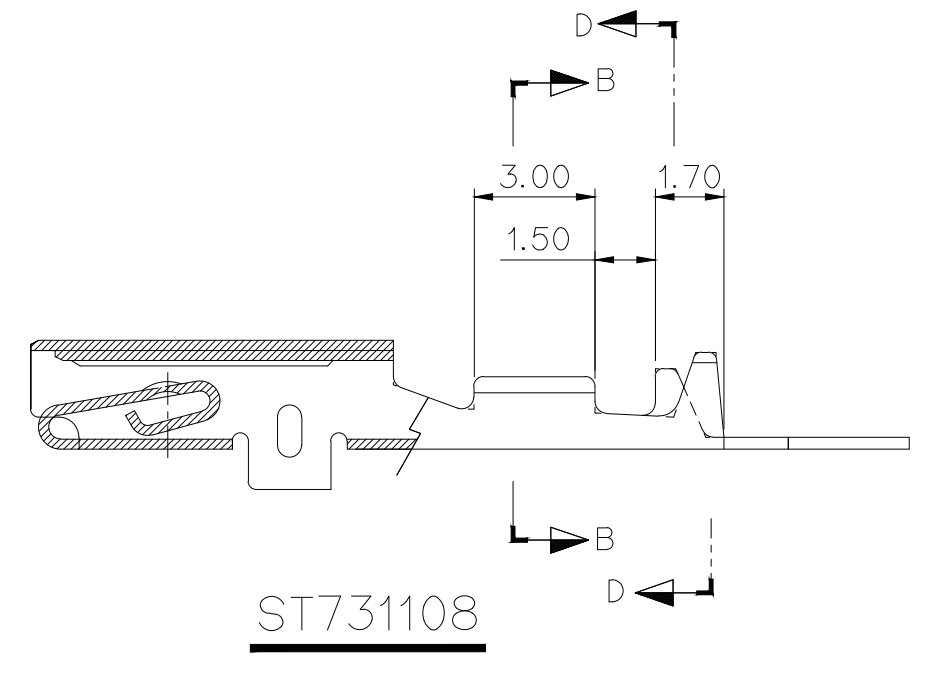


SECTION A-A

GENERAL TOLERANCE (TERMINAL)						USED ON
10 MAX	20 MAX	45 MAX	45 VR	ANGLE	ECCENT	
±0.2	±0.25	±0.3	±0.5	±30'	0.1	



SECTION D-D  
(ST731108)



주 기

- 제품 기능상 유해한 BURR 및 변형등이 없을 것.
- 적용 상대 MALE TERMINAL : ST740672, 740673, 740674, 741101-3
- 제품내 함유된 6대 유해물질 (납,수은,카드뮴,6가크롬, PBBs, PBDEs)은 EU ELV 지침 및 RoHS 법규에서 지정한 최대 허용 농도를 초과해서는 안된다.

NOTE

- MUST BE FREE OF BURR AND IMPERFECTION THAT AFFECT FUNCTION.
- APPLICABLE MALE TERMINAL : ST740672, 740673, 740674, 741101-3
- 6 HAZARDOUS SUBSTANCES IN PARTS (LEAD, MERCURY, CADMIUM, HEXAVALENT CHROMIUM, PBBs, PBDEs) SHOULD NOT EXCEED THE MAXIMUM PERMISSIBLE CONCENTRATION PRESCRIBED UNDER EU ELV DIRECTIVE & RoHS REGULATION.

APPROVED

2021-10-22

KOREA ELECTRIC  
TERMINAL CO., LTD.  
Korea Electric Terminal Co., LTD.

ISSUE MARK

				MATERIAL	BRASS		KOREA ELECTRIC TERMINAL CO., LTD.	
				FINISH	PRE-TIN			
				WIRE RANGE		CLASS	090	
				INSULATION		TYPE	090 DTC	
LTR	REVISION RECORD	DR.	CHK.	APP.	DATE	TOLERANCE EXCEPT AS NOTED	SCALE	PART NO.
	SHIN.S.H. '07.10.25	CHK.	J.Y.S		10/25	SEE TABLE	5/1	SEE TABLE
CHK.		APP.			10/25	PART NAME		
						090 F TERMINAL - DTC (SS), (S), (M)		

COMENSIONS IN MM)