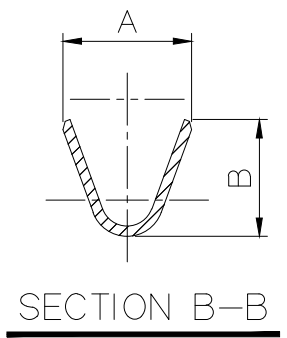


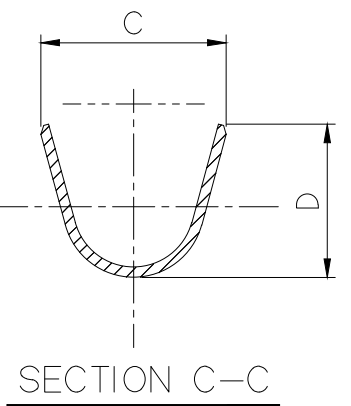
PART NO. ST731148,1149
ST731150,1151

CUSTOMER DRAWING

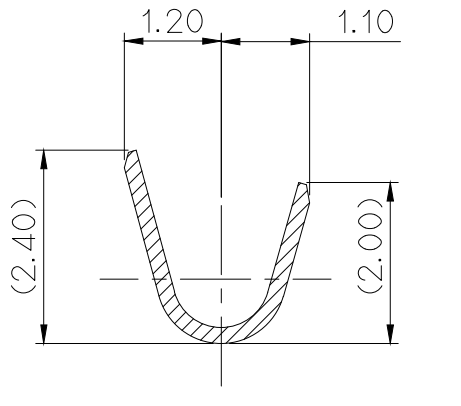
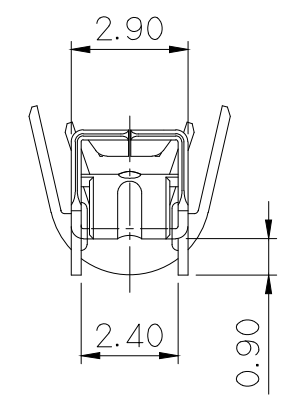
GENERAL TOLERANCE (TERMINAL)					USED ON
10MAX	20MAX	45MAX	ANGLE	ECCENT	
±0.2	±0.25	±0.3	±30'	0.1	



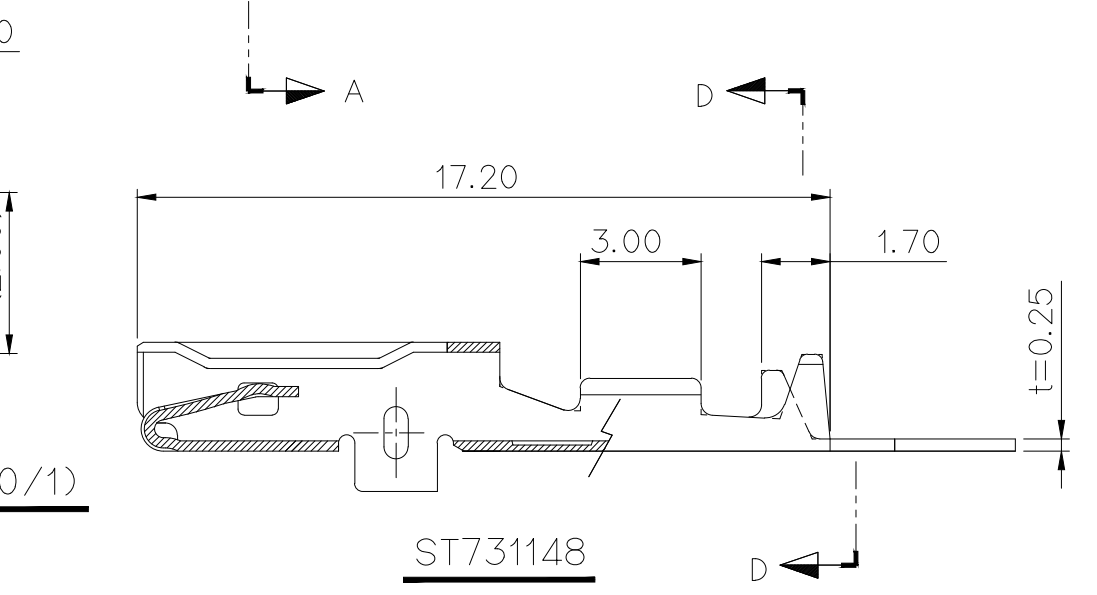
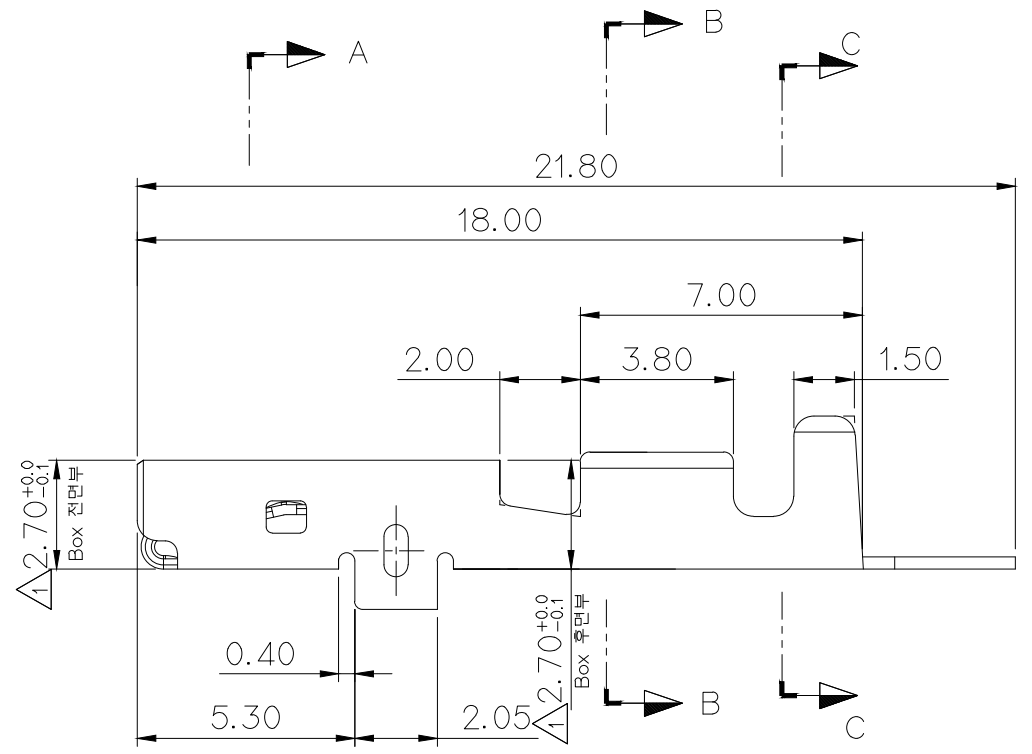
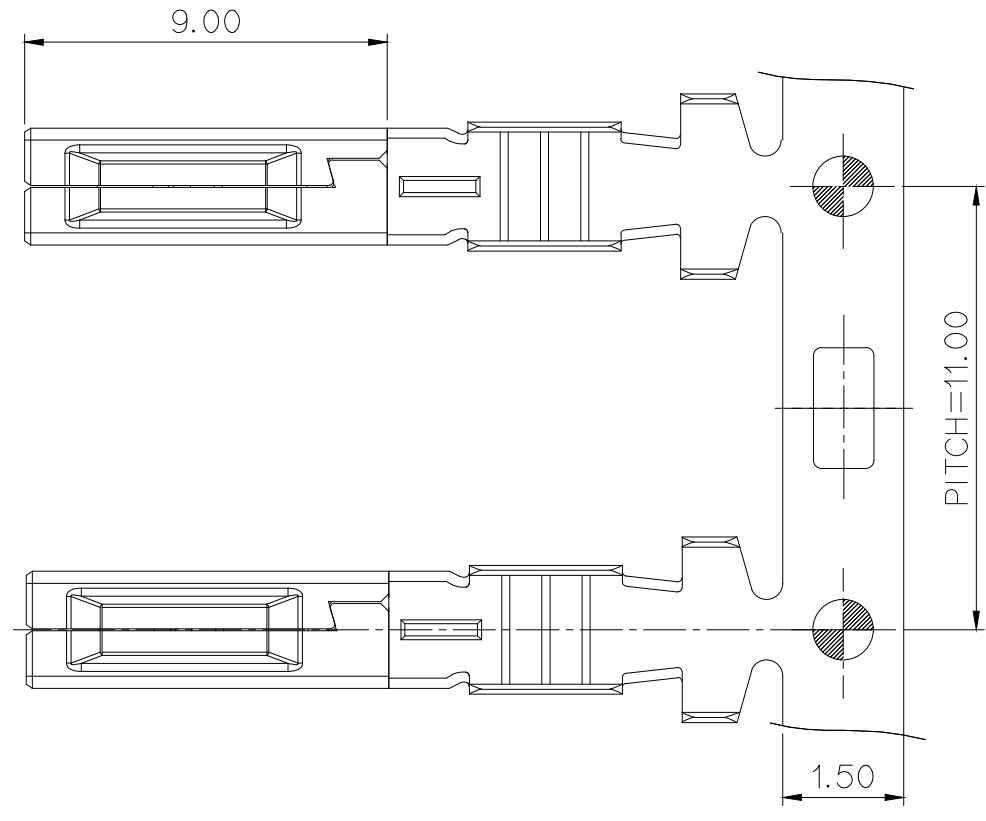
SECTION B-B



SECTION C-C

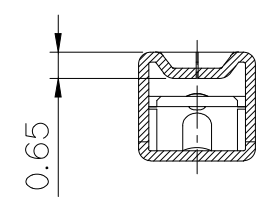


SECTION D-D (S=10/1)
(ST731148)



ST731148

PART NO.	BARREL WIRE RANGE (mm ²)	WIRE BARREL		INSULATION BARREL	
		A	B	C	D
ST731148-3(SS)	△ ₃ FLRY-A, CHFUS 0.13~0.22 AVSS 0.22 △ ₃ FLCOMGO2RY 0.13	1.9	(1.8)	-	-
ST731149-3(S)	AVS(CAVS) 0.3~0.5 △ ₂ △ ₃ CIVUS 0.35~0.5 △ ₃ FLRY-A,B 0.35~0.5	2.4	2.3	3.6	3.3
ST731150-3(M)	AVS(CAVS) 0.85~1.25 △ ₃ FLRY-B 0.75~1.5 △ ₃ CIVUS 0.75~1.0 △ ₃ AVSSXF 1.0	3.2	2.9	4.6	3.8
ST731151-3(L)	△ ₃ AVSSXF 1.5 △ ₃ AVSS, FLRY-B 2.0~2.5	4.3	4.1	4.6	4.1



SECTION A-A

주 기

- 적용 전선 : SEE TABLE
- 기능상 유해한 흠, 변형 및 BURR 가 없을 것
- 제품내 함유된 6대 유해물질 (납,수은,카드뮴,6가크롬, PBBs,PBDEs)은 EU ELV 지침 및 RoHS 법규에서 지정한 최대 허용 농도를 초과해서는 안된다.

NOTE

- APPLICABLE WIRE : SEE TABLE
- MUST BE FREE OF FLASH, SINK AND IMPERFECTION THAT AFFECT FUCTION
- 6 HAZARDOUS SUBSTANCES IN PARTS (LEAD, MERCURY, CADMIUM, HEXAVALENT CHROMIUM, PBBs, PBDEs) SHOULD NOT EXCEED THE MAXIMUM PERMISSIBLE CONCENTRATION PRESCRIBED UNDER EU ELV DIRECTIVE & RoHS REGULATION.

APPROVED
2021-10-20
KOREA ELECTRIC
TERMINAL CO., LTD.
Korea Electric Te
rminal Co., LTD.

ISSUE MARK

					MATERIAL	COPPER-ALLOY	KET KOREA ELECTRIC ENGINEERED TERMINAL CO., LTD.		
					FINISH	PRE-TIN			
△ ₃	ECO-2012-141 근거 도면 작성 세강화 및 ISO 전선 사양 추가	SSW	HJE	CKY	20.12.16	WIRE RANGE	SEE TABLE	CLASS	.090 II UNSEALED
△ ₂	ECO-1806-369 근거 도면 작성 (CIVUS 0.35 전선 사양 추가)	LSY		SUK	18.06.26	INSULATION		TYPE	
△ ₁	ECO-1806-026 근거 도면 재작성	HJE		SUK	18.06.04				
LTR	REVISION RECORD	DR.	CHK.	APP.	DATE	TOLERANCE EXCEPT AS NOTED	SEE TABLE	SCALE	5/1
DR.	JYS '09.06.03	CHK.	HSH	APP.	09.07.21	PART NAME	NEW 090II FEMALE TERMINAL		
CHK.		APP.	KKJ	APP.	09.07.21				

DIMENSIONS IN MM