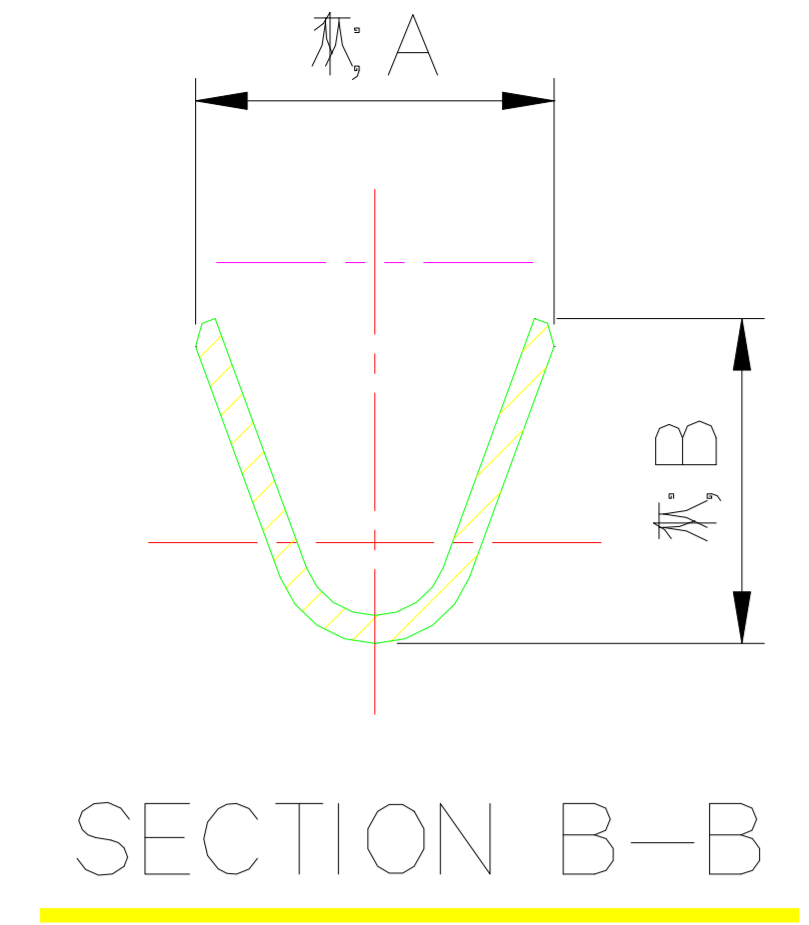
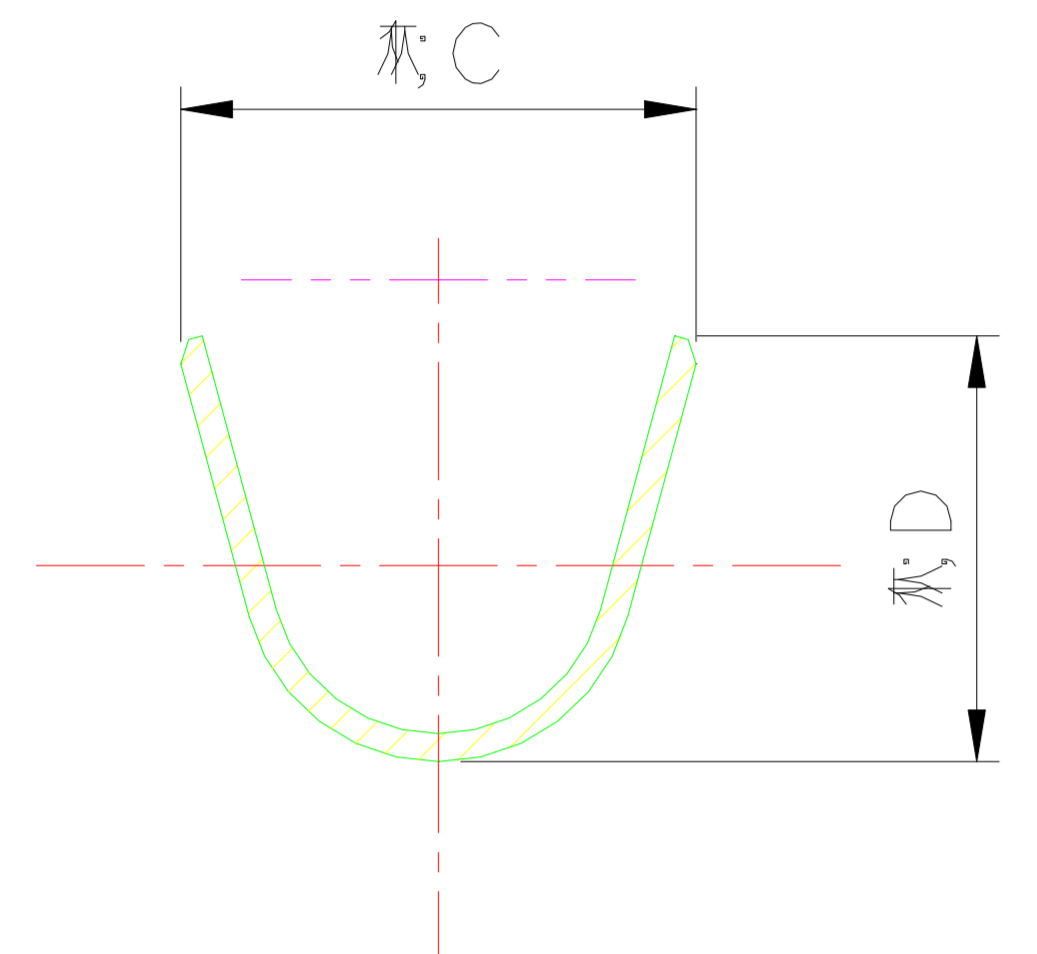


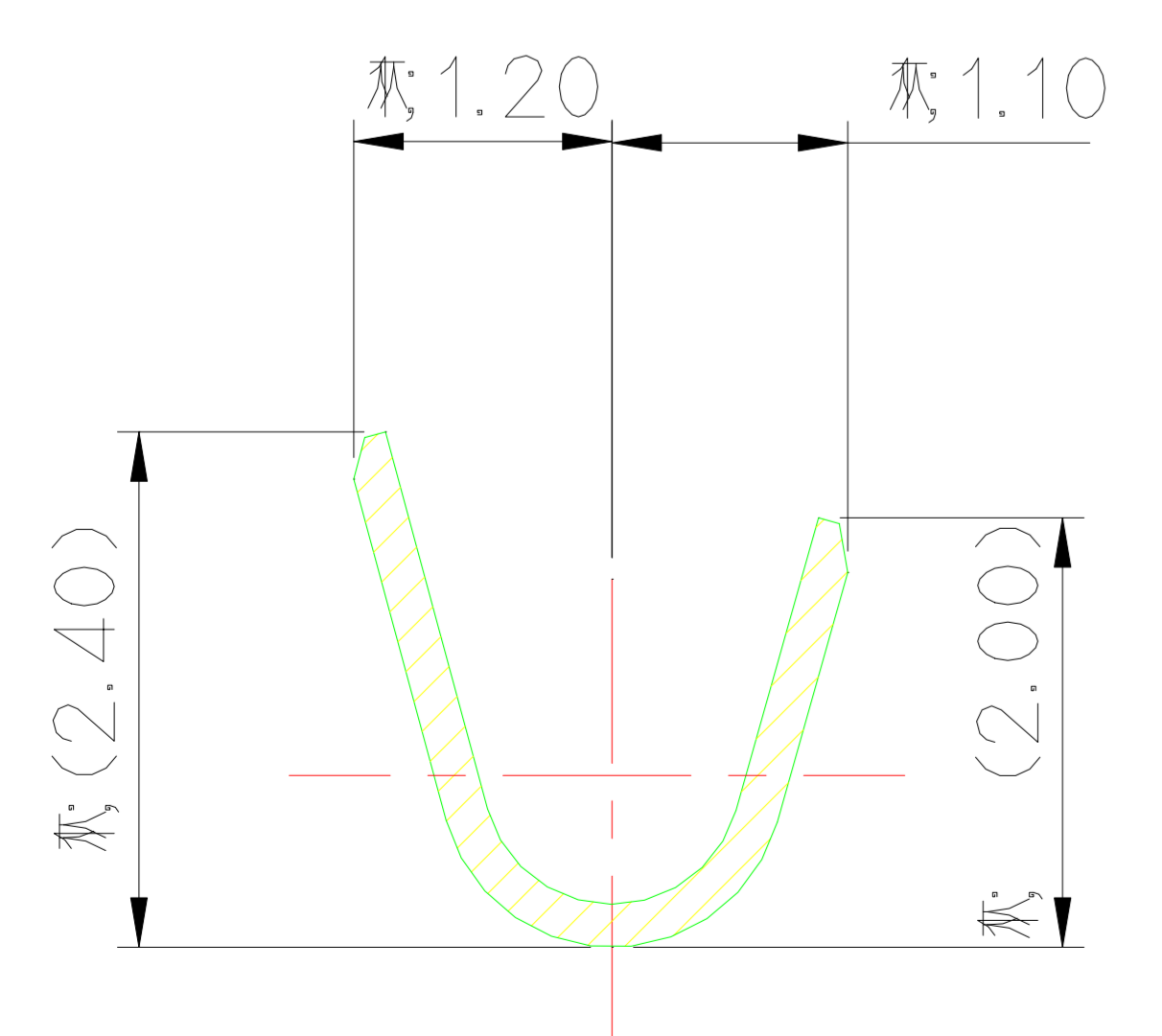
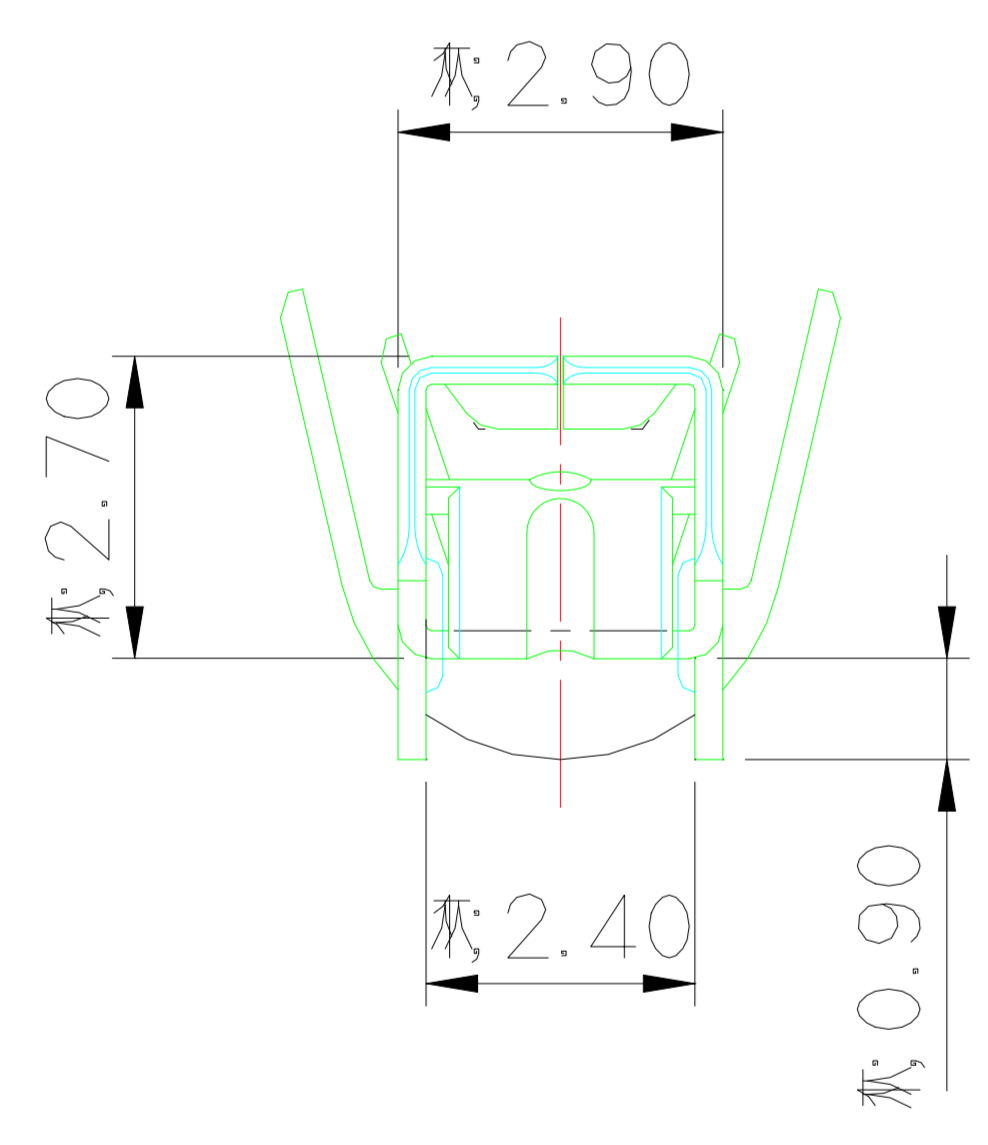
GENERAL TOLERANCE (TERMINAL)					USED ON
10MAX	20MAX	45MAX	ANGLE	ECCENT	
±0.2	±0.25	±0.3	±30'	0.1	



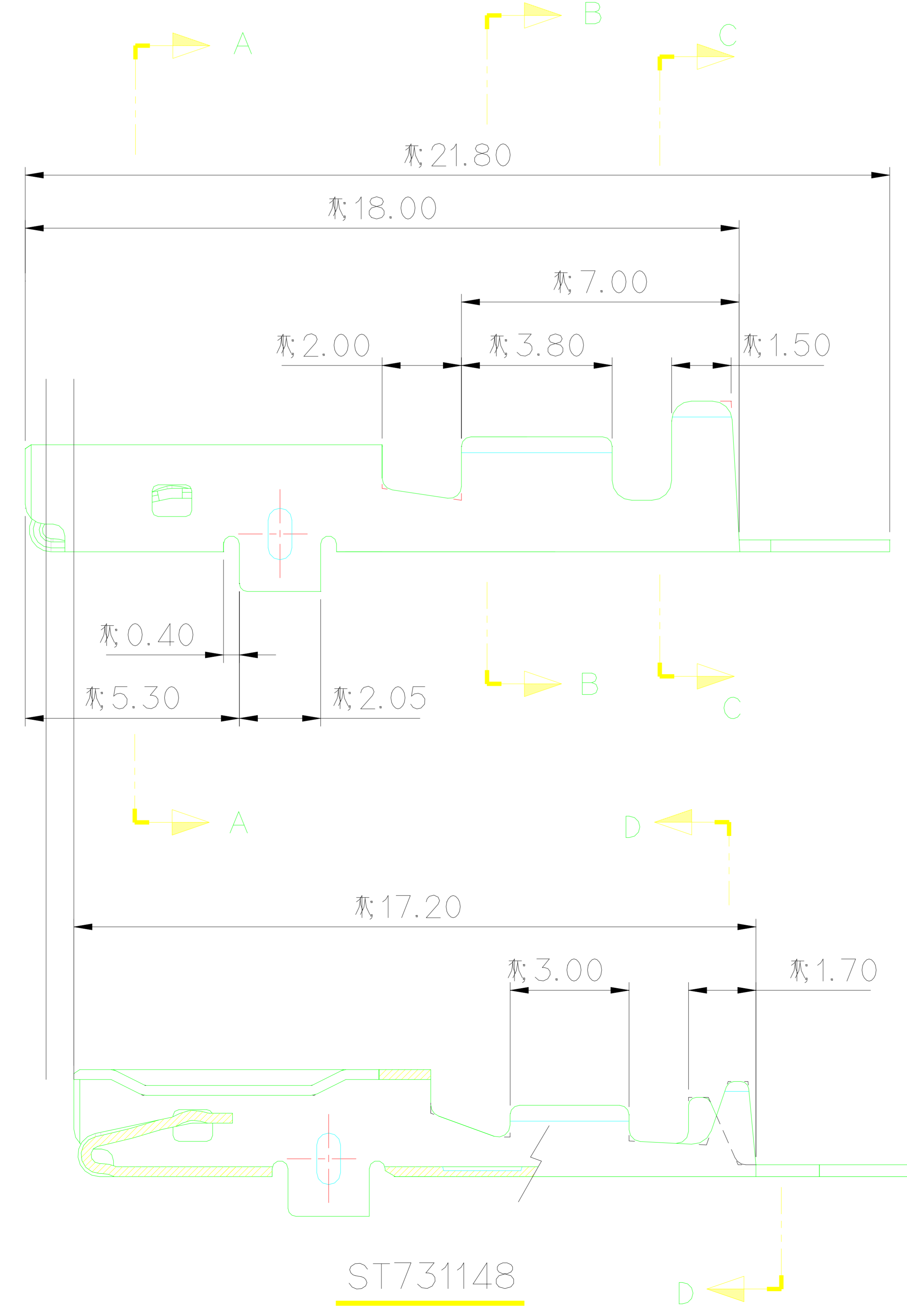
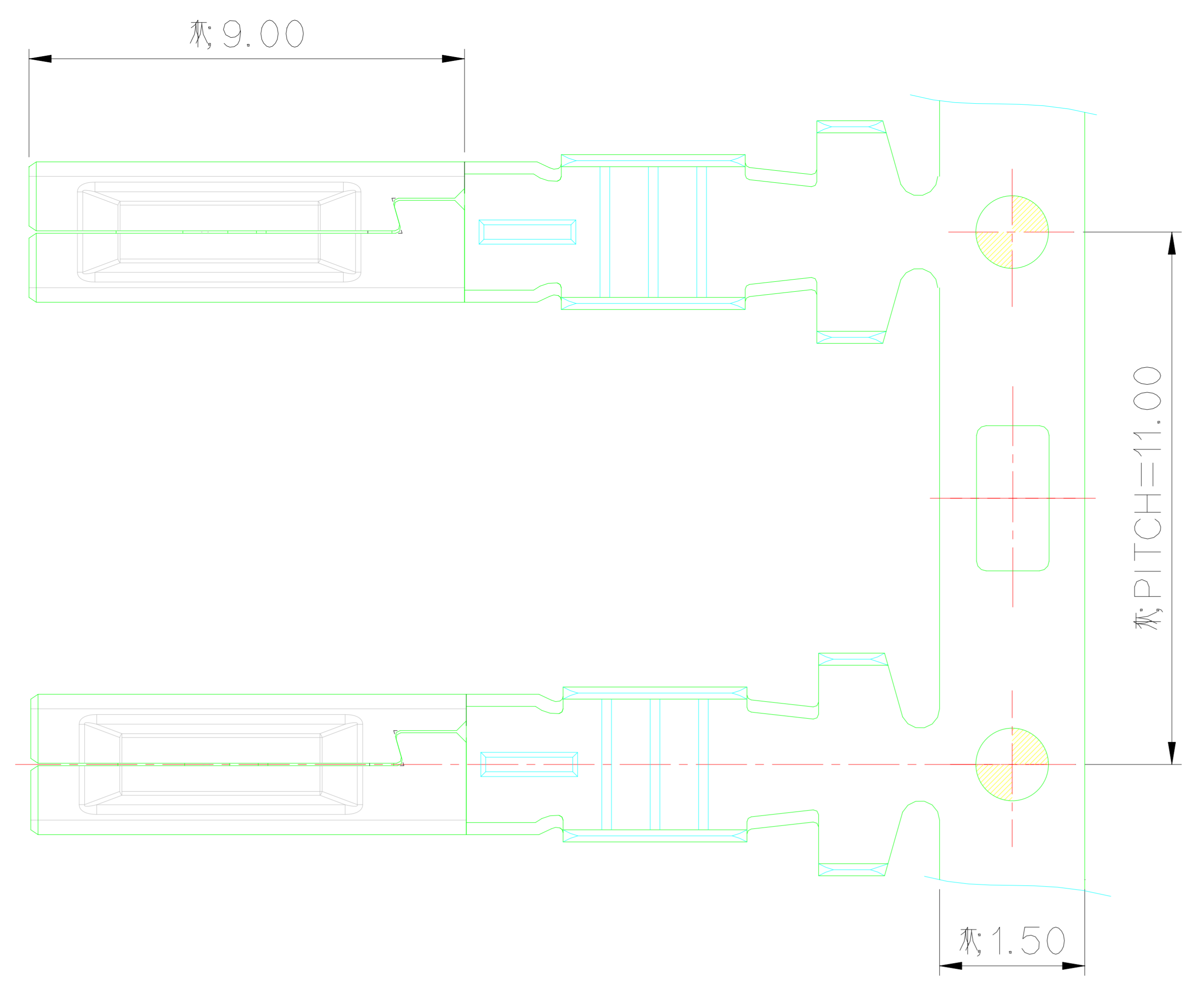
SECTION B-B



SECTION C-C

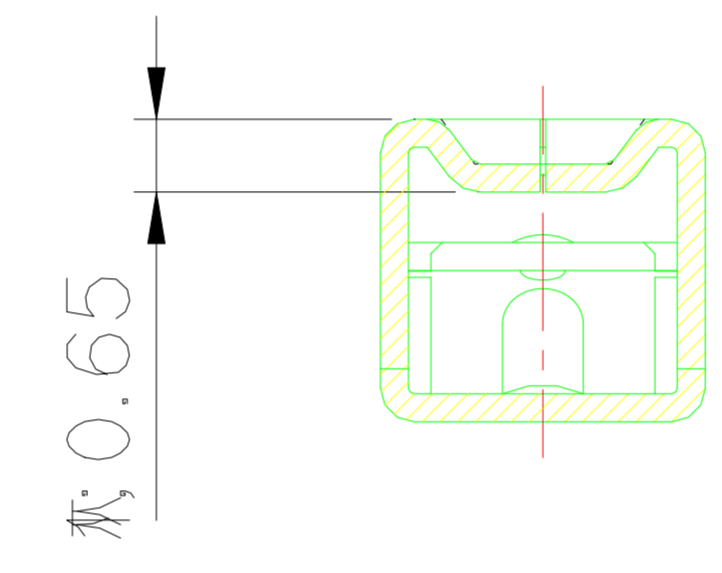


SECTION D-D (S=10/1)
(ST731148)



ST731148

PART NO.	WIRE RANGE (mm ²)	WIRE BARREL		INSULATION BARREL	
		A	B	C	D
ST731148-3(SS)	CHFUS 0.13~0.22 AVSS 0.22	1.9	(1.8)	-	-
ST731149-3(S)	AVS(CAVS) 0.3 - 0.5	2.4	2.3	3.6	3.3
ST731150-3(M)	AVS(CAVS) 0.85 - 1.25	3.2	2.9	4.6	3.8
ST731151-3(L)	AVSS 2.0 - 2.5	4.3	4.1	4.6	4.1



SECTION A-A

주 기

- 적용 전선 : SEE TABLE
- 기능상 유해한 흠, 변형 및 BURR 가 없을 것
- 제품내 함유된 6대 유해물질 (납,수은,카드뮴,6가크롬, PBBs,PBDEs)은 EU ELV 지침 및 RoHS 법규에서 지정한 최대 허용 농도를 초과해서는 안된다.

NOTE

- APPLICABLE WIRE : SEE TABLE
- MUST BE FREE OF FLASH, SINK AND IMPERFECTION THAT AFFECT FUCTION
- 6 HAZARDOUS SUBSTANCES IN PARTS (LEAD, MERCURY, CADMIUM, HEXAVALENT CHROMIUM, PBBs, PBDEs) SHALL NOT EXCEED THE MAXIMUM PERMISSIBLE CONCENTRATION PRESCRIBED UNDER EU ELV DIRECTIVE & RoHS REGULATION.



ISSUE MARK

MATERIAL		COPPER-ALLOY		KETA ENGINEERED	KOREA ELECTRIC TERMINAL CO., LTD.	
FINISH		PRE-TIN				
WIRE RANGE		SEE TABLE		CLASS	.090 II UNSEALED	
INSULATION				TYPE		
LTR	REVISION RECORD	DR.	CHK.	APP.	DATE	TOLERANCE EXCEPT AS NOTED
DR.	JYS '09.06.03	CHK.				SCALE 5/1
CHK.		APP.				PART NO. ST731148,1149 ST731150,1151
				PART NAME		
				NEW 090II FEMALE TERMINAL		