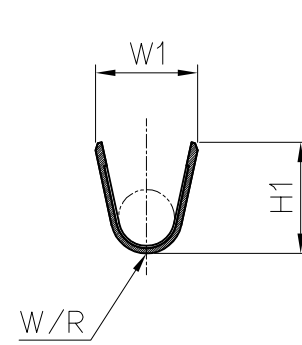
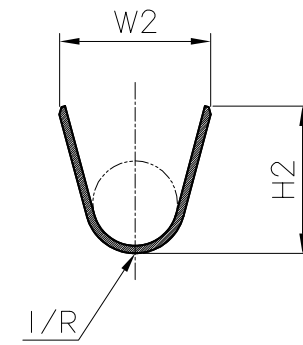


SECTION A-A



SECTION B-B



SECTION C-C

GENERAL TOLERANCE (TERMINAL)						USED ON
10 MAX	20 MAX	45 MAX	45 VR	ANGLE	ECCENT	
±0.2	±0.25	±0.3	±0.5	±30'	0.1	

주 기

1. 지시없는 C,R=0.30으로 한다.
2. 기능상 유해한 흠,변형 및 BURR가 없을것.
3. 적용 상대 MALE TERMINAL : ST741285,741286,741287
4. 제품내 함유된 6대 유해물질 (납, 수은, 카드뮴, 6가크롬, PBBs, PBDEs)은 EU ELV 지침 및 RoHS 법규에서 지정한 최대 허용 농도를 초과해서는 안된다.

NOTE

1. UNLESS OTHERWISE SPECIFIED ALL RADII TO BE 0.3 RADIUS.
2. MUST BE FREE OF FLASH, SINK AND IMPERFECTION THAT AFFECT FUNCTION.
3. APPLICABLE MALE TERMINAL : ST741285,741286,741287
4. 6 HAZARDOUS SUBSTANCES IN PARTS (LEAD, MERCURY, CADMIUM, HEXAVALENT CHROMIUM, PBBs, PBDEs) SHALL NOT EXCEED THE MAXIMUM PERMISSIBLE CONCENTRATION PRESCRIBED UNDER EU ELV DIRECTIVE & RoHS REGULATION.

ISSUE MARK

PART NO.	BARREL	WIRE RANGE	WIRE BARREL			INSULATION BARREL		
			W1	H1	W/R	W2	H2	I/R
ST731279-3		AVSS 0.3 - 0.5	2.9	(2.4)	0.9	3.5	(3.7)	1.3
ST731280-3		AVSS 0.85 - 1.25	3.0	(3.3)	1.2	4.5	(4.6)	1.6
ST731281-3		AVSS 2.0, AVS 3.0	4.4	(4.6)	1.5	6.5	(6.1)	2.1

					MATERIAL	COPPER ALLOY	KET ENGINEERED	KOREA ELECTRIC TERMINAL CO., LTD.
					FINISH	PRE-TIN		
					WIRE RANGE	SEE TABLE	CLASS	280
					INSULATION	SEE TABLE	TYPE	
LTR	REVISION RECORD			DR.	APP.	DATE	TOLERANCE EXCEPT AS NOTED	SCALE
DR.	LKM	2010.04.26	CHK.				SEE TABLE	3/1
CHK.			APP.				PART NAME	PART NO.
							280(110) FEMALE TERMINAL	ST731279, 280, 281