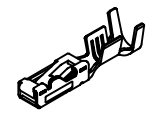
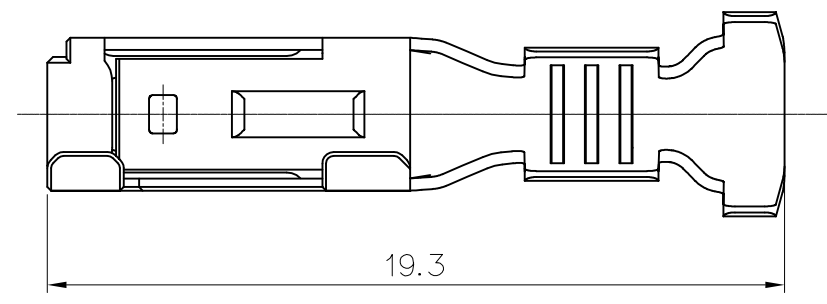


PART NO. ST731152-3, 1153-3, 1282-3

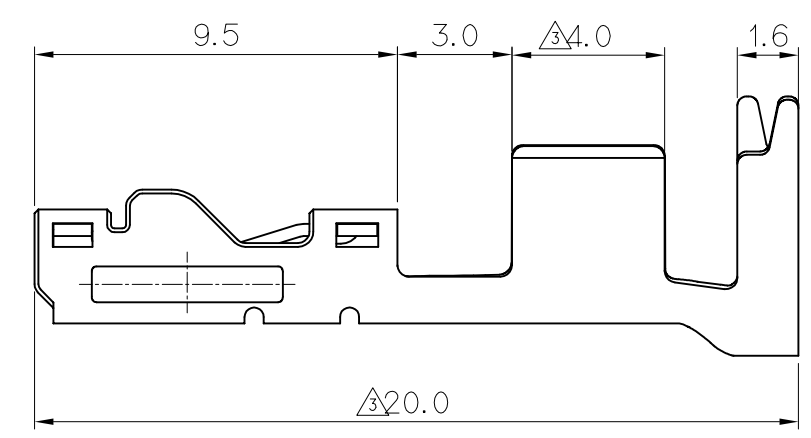
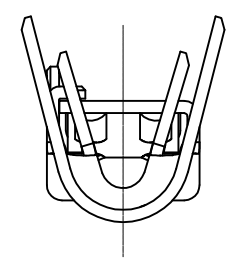
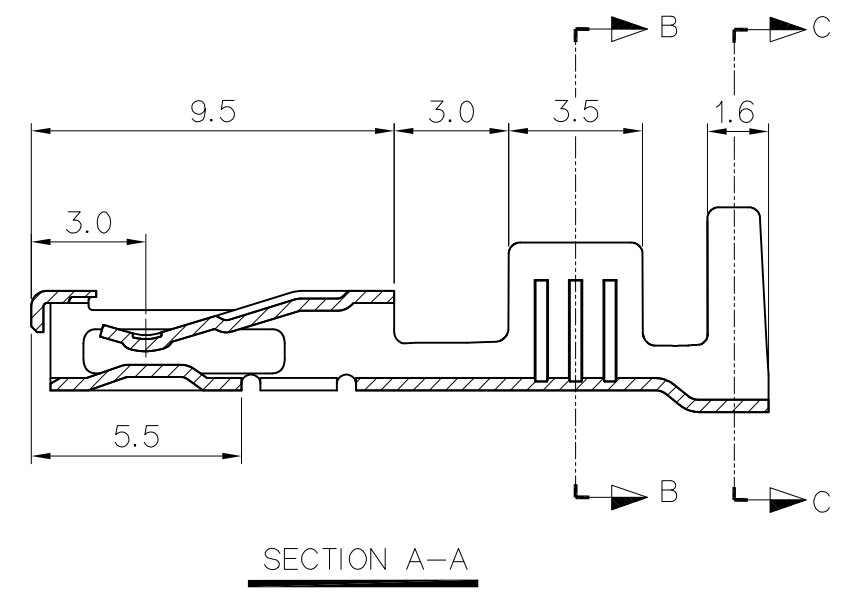
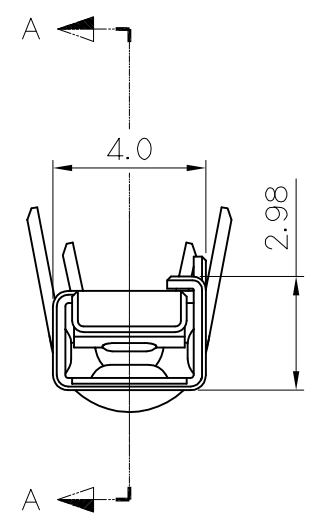
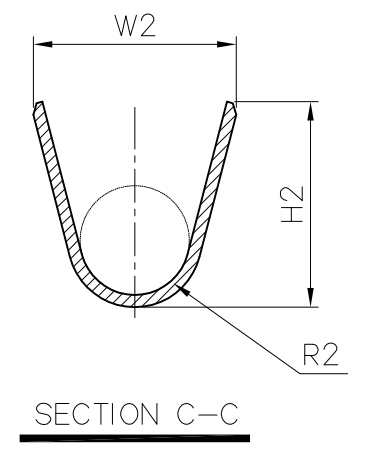
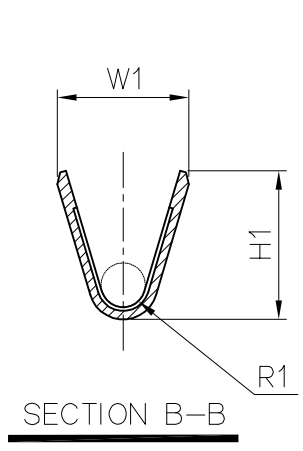
CUSTOMER DRAWING



ISO - VIEW
(S=1/1)

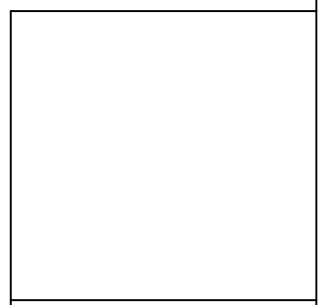


GENERAL TOLERANCE (TERMINAL)					USED ON
10MAX	20MAX	45MAX	ANGLE	ECCENT	
±0.2	±0.25	±0.3	±30'	0.1	



△ST731282-3

PART NO.	WIRE BARREL			INSULATION BARREL			WIRE RANGE	적용 WIRE SEAL (ECU 196P 전용)	적용 WIRE SEAL (일반 280 WP)
	W1	H1	R1	W2	H2	R2			
ST731153-3	2.6	2.7	0.53	5.45	5.3	1.75	AEXF0.5 AEXF0.85	MG685247	△MG680522 MG680470
ST731152-3	3.6	3.8	0.9	5.45	5.3	1.75	AEXF1.25, AVSSXF2.0 AEXF2.0, AVSSXF2.5	MG685248 MG685259	MG680564
ST731282-3	4.4	4.6	1.2	7.5	6.7	2.1	AEXF2.0, AVSSXF2.5 AEXF3.0	MG685248 MG685227	△MG685484 △MG685227



- 주 기**
- 지시없는 C,R=0.30으로 한다.
 - 기능상 유해한 흠,변형 및 BURR가 없을것.
 - 적용 상대 MALE TERMINAL
ST741188/ST741289/ST741290

- NOTE**
- UNLESS OTHERWISE SPECIFIED ALL RADII TO BE 0.3 RADIUS.
 - MUST BE FREE OF FLASH, SINK AND IMPERFECTION THAT AFFECT FUNCTION.
 - APPLICABLE MALE TERMINAL
ST741188/ST741289/ST741290

ECO-1108-030에 근거 형상 변경		LKM		11.AUG.'11	
WIRE SEAL 사양 정리		KHS LDG	정리	24.FEB.'11	
전선 사양 정리		KHS LDG	정리	10.JAN.'11	
LTR	REVISION RECORD	DR.	CHK.	APP.	DATE
DR. KANG, J.S	24.JUN.'10	CHK.			
CHK. LEE, D.G	24.JUN.'10	APP.	HEO, S.H	24.JUN.'10	
MATERIAL		COPPER-ALLOY		Korea Electric Terminal Co., Ltd.	
FINISH		PRE-TIN			
WIRE RANGE		SEE TABLE		CLASS	280 WP
INSULATION		SEE TABLE		TYPE	REC.
TOLERANCE EXCEPT AS NOTED		SEE TABLE		SCALE	5/1
PART NAME		280 WP FEMALE TERMINAL			
PART NO.		ST731152-3, 1153-3, 1282-3			

DIMENSIONS IN MM