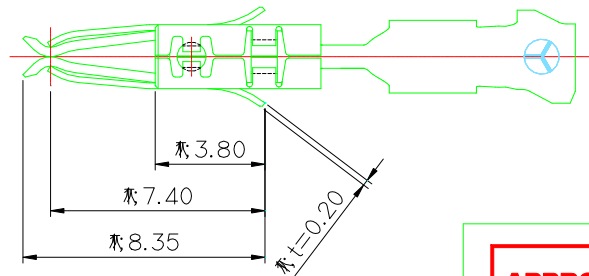
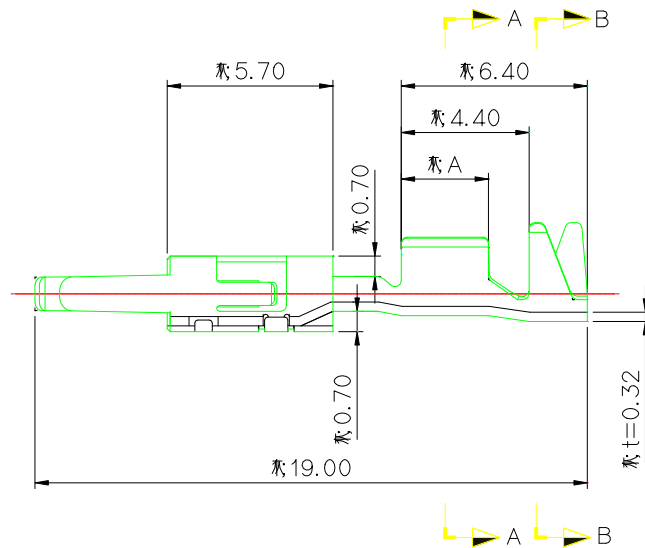
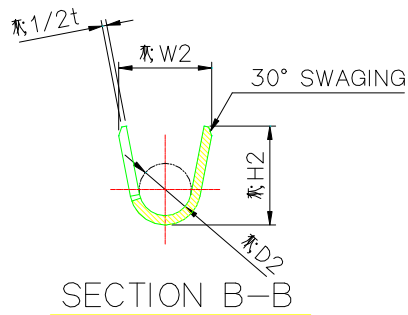
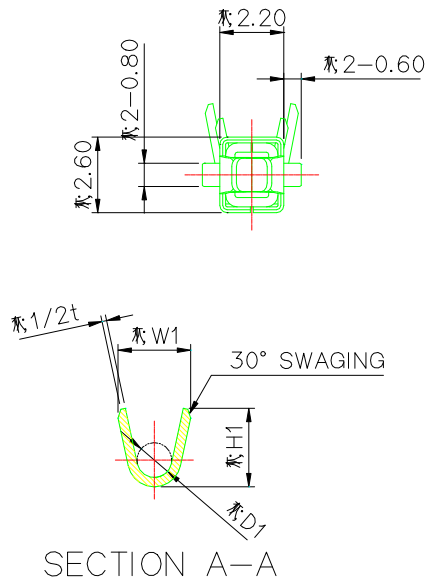
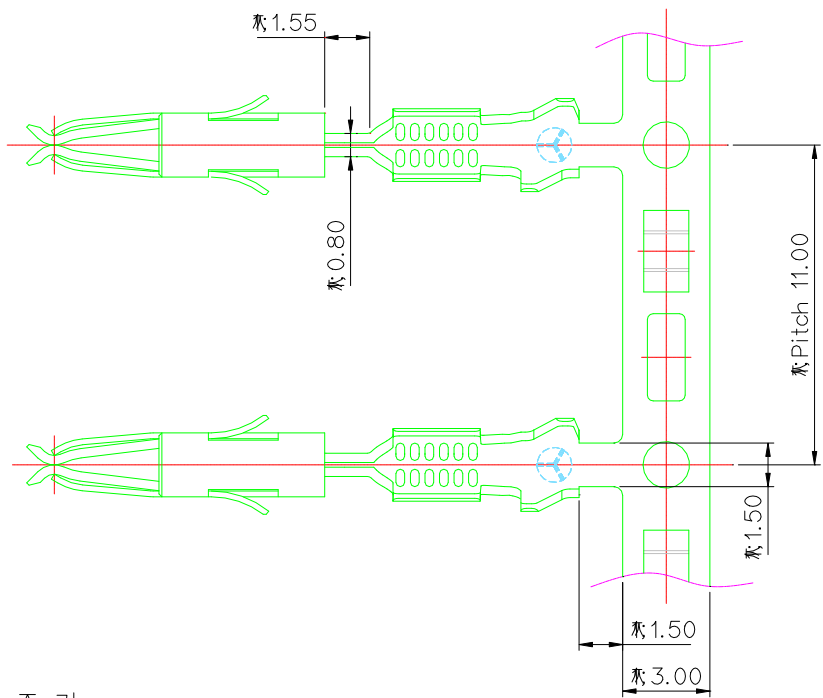


NO.	PART NO	BARREL PART NAME	WIRE RANGE(mm <sup>2</sup> )	INSULATION RANGE	WIRE BARREL			INSULATION BARREL			A
					W1	H1	D1	W2	H2	D2	
1	ST731379	150 FEMALE TML(S)	FLR 0.2 - 0.5	φ1.15 ~ φ1.6	2.1	2.1	0.8	2.9	2.9	1.4	2.5
2	ST731380	150 FEMALE TML(M)	FLR 0.5 - 1.0	φ1.4 ~ φ2.1	2.5	2.7	1.2	3.2	3.4	1.8	3.0
3	ST731381	150 FEMALE TML(L)	FLR 1.5	φ2.2 ~ φ2.4	2.8	3.0	1.4	3.5	3.9	1.9	3.0

GENERAL TOLERANCE (TERMINAL)						USED ON
10 MAX	20 MAX	45 MAX	45 VR	ANGLE	ECCENT	
±0.2	±0.25	±0.3	±0.5	±30'	0.1	

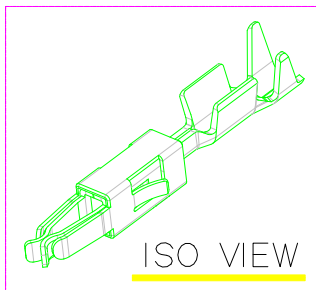


주 기

1. 지시없는 R은 0.2, C는 0.1로 한다.
2. 기능상 유해한 BURR 및 CRACK 등이 없을 것.
3. 적용 TAB TERMINAL : ST741347-3, 1348-3, 1349-3
4. 제품내 함유된 6대 유해물질 (납,수은,카드뮴,6가크롬, PBBs,PBDEs)은 EU ELV 지침 및 RoHS 법규에서 지정한 최대 허용 농도를 초과해서는 안된다.

NOTE

1. UNLESS OTHERWISE SPECIFIED ALL RADII TO BE 0.2 RADIUS, CHAMFER 0.1.
2. MUST BE FREE OF BURR, CRACK AND IMPERFECTION THAT AFFECT FUNCTION.
3. APPLICABLE TAB TERMINAL : ST741347-3, 1348-3, 1349-3
4. 6 HAZARDOUS SUBSTANCES IN PARTS (LEAD, MERCURY, CADMIUM, HEXAVALENT CHROMIUM, PBBs, PBDEs) SHALL NOT EXCEED THE MAXIMUM PERMISSIBLE CONCENTRATION PRESCRIBED UNDER EU ELV DIRECTIVE & RoHS REGULATION.



**APPROVED**  
2015-06-25  
KOREA ELECTRIC  
TERMINAL CO., LTD.  
Product Development Team 1

ISSUE MARK

MATERIAL	Copper-Alloy/SUS	<b>KIET</b> KOREA ELECTRIC	
FINISH	Pre-Tin	<b>ENGINEERED</b> TERMINAL CO., LTD.	
WIRE RANGE	CLASS	150	
INSULATION	TYPE		
LTR	REVISION RECORD	DR.	APP. DATE
DR.	KYJ 13.04.17	CHK.	KJS 13.04.17
CHK.	HEM 13.04.17	APP.	HSH 13.04.17
TOLERANCE EXCEPT AS NOTED		SCALE	PART NO.
SEE TABLE		5/1	ST731379/1380/1381
PART NAME		150 FEMALE TML	