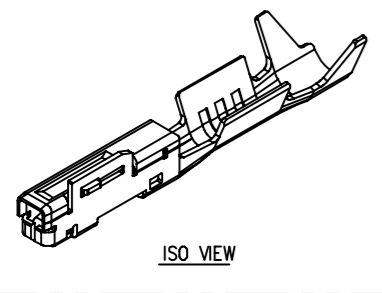
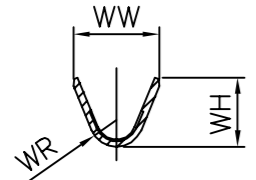


PART NO. SEE TABLE

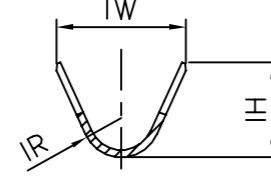


GENERAL TOLERANCE (TERMINAL)						USED ON
10 MAX	20 MAX	45 MAX	45 VR	ANGLE	ECCENT	SEE NOTE
±0.2	±0.25	±0.3	±0.5	±30'	0.1	

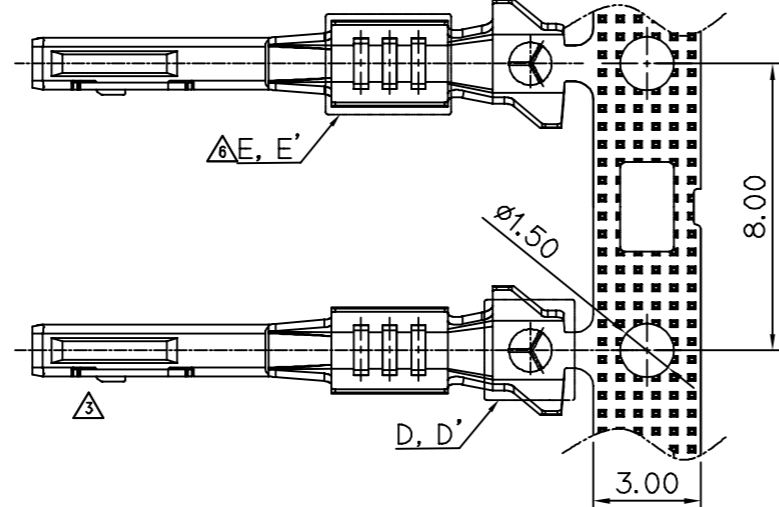
CUSTOMER DRAWING



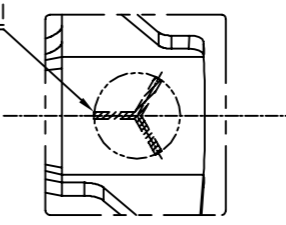
SECTION B-B



SECTION C-C

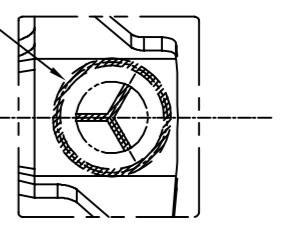


단자 배면 KET LOGO 각인

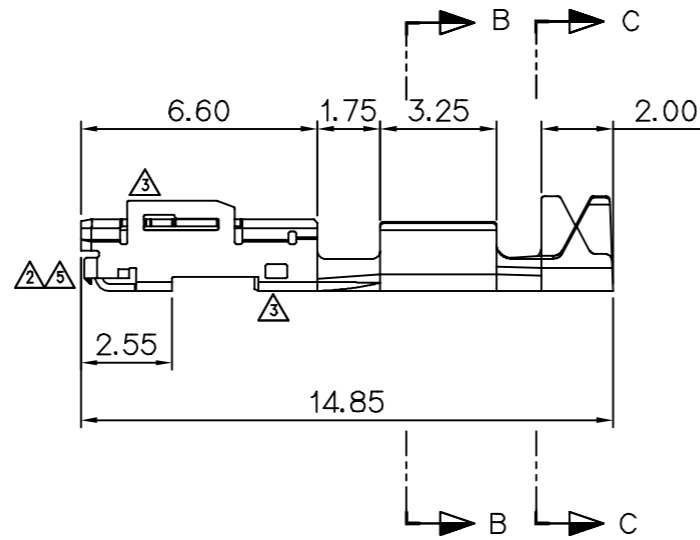
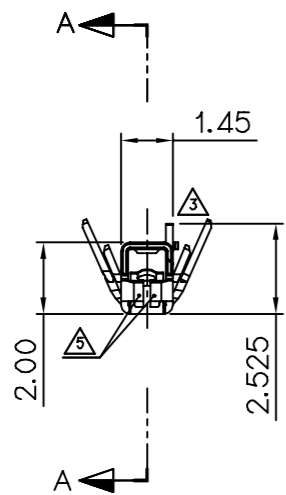


ΔDETAIL D
SCALE 10/1
(ST731409-3, ST731409-G,
ST731410-3, ST731410-G,
ΔST731542-3)

단자 배면 KET LOGO 각인



ΔDETAIL D'
SCALE 10/1
(ST731409-7, ST731410-7,
ΔST731542-7)



SECTION A-A

주 기

- 지시없는 C, R=0.30\ e-\> 한\ \$ t.
- \\ 능상 \R\π\F #한 BURR 및 변형이 없을것.
- 제품내 함유된 6대 유해물질 (납, 수은, 카드뮴, 6가크롬, PBBs, PBDEs)은 EU ELV 지침 및 RoHS 법규에서 지정한 최대 허용 농도를 초과해서는 안된다.

NOTE

- UNLESS OTHERWISE SPECIFIED ALL RADIUS TO BE 0.3 RADIUS AND CHAMFER.
- MUST BE FREE OF BURR AND IMPERFECTION THAT AFFECT FUNCTION.
- 6 HAZARDOUS SUBSTANCES IN PARTS (LEAD, MERCURY, CADMIUM, HEXAVALENT CHROMIUM, PBBs, PBDEs) SHOULD NOT EXCEED THE MAXIMUM PERMISSIBLE CONCENTRATION PRESCRIBED UNDER EU ELV DIRECTIVE & RoHS REGULATION.

APPROVED

2021-10-25

KOREA ELECTRIC
TERMINAL CO., LTD.
Korea Electric Te
rminal Co., LTD.

ISSUE MARK

품 번	처 리	적용상대 Male TML 품번	비 고
ST731409-3 ST731410-3 ΔST731542-3	- 광택 석도금 - 석도금 두께 : 0.8 ~ 1.8 μm	ST741360-3 ST741361-3 ΔST741444-3	Pre-Tin
ΔST731409-7 ΔST731410-7 ΔST731542-7	- 저마찰 석도금 - 석도금 두께 : 0.8 ~ 1.8 μm	ΔST741360-7 ΔST741361-7 ΔST741444-7	Pre-Tin LFP
ST731409-G ST731410-G	Δ- Ni 하지도금 두께 : 1.0 ~ 1.5 μm - 금도금 두께 : 0.38 μm 이상.	ΔST741360-G ST741361-G	-

NO.	PART NO.	PART NAME.	WIRE SIZE	WIRE BARREL			INSULATION BARREL		
				WR	WW	WH	IR	IW	IH
1	ST731409-3/G/Δ-7	C025 FEMALE TML(M)	AVSS 0.3, 0.5 ΔCIVUS 0.35, 0.5 ΔFLRY-A 0.35 ΔFLRY-B 0.5	0.50	1.95	(2.15)	0.80	2.80	(3.10)
2	ST731410-3/G/Δ-7	C025 FEMALE TML(S)	CHFUS 0.13, 0.22	0.40	1.50	(1.60)	0.80	2.30	(2.20)
3	ST731542-3/Δ-7	C025 FEMALE TML(SS)	CHFUS 0.13, 0.22 ΔFLRY-A 0.13, 0.22 ΔFLCUMG02RY 0.13	0.40	1.50	(1.60)	0.80	2.30	(2.20)

DR.	CHK.	APP.	DATE
PJH, 2015.09.10	LJE, 15.09.11	BIN, 15.09.11	

MATERIAL	Copper Alloy	KIET KOREA ELECTRIC ENGINEERED TERMINAL CO., LTD.
FINISH	SEE TABLE	
WIRE RANGE	SEE TABLE	CLASS 025
INSULATION	SEE TABLE	TYPE 비방수
TOLERANCE EXCEPT AS NOTED	SEE TABLE	SCALE 5/1
PART NAME	C025 FEMALE TERMINAL	

DIMENSIONS IN MM