

SEE TABLE PART NO. CUSTOMER DRAWING

NO.	PART NO.	PART NAME.	WIRE RANGE	INSULATION RANGE	A	B	C	D	E	P	WIRE BARREL			INSULATION BARREL			도금사항
											WR	WH	WW	IR	IH	IW	
1	ST731426-3	N110 FEMALE TML(S)	CHFUS0.22, AESSXF0.22, AVSS0.3, AESSXF0.3, CIVUS0.35, FLY-A0.35	1.0-1.9	23.65	5.2	3.5	2.5	19.0	14.0	0.60	1.90	1.90	0.90	2.50	2.50	
2	ST731482-3	N110 FEMALE TML(M)	FLALUY 0.75	1.3-1.5	23.65	5.5	4.0	3.0	19.0	14.0	0.92	2.70	2.50	1.22	3.90	3.70	
3	ST731425-3	N110 FEMALE TML(M)	AVSS0.5, FLY-A0.5, AESSXF0.75, FLY-A0.75, AVSS0.85, FLY-A1.0, AVSSXF 1.0	1.4-2.3	23.65	5.5	4.0	3.0	19.0	14.0	0.92	2.70	2.50	1.22	3.90	3.70	
4	ST731495-3	N110 FEMALE TML(ML)	FLALUY 1.25	1.7-1.9	23.65	5.5	4.0	3.0	19.0	14.0	0.92	3.24	2.74	1.22	3.90	3.70	<PRE-TIN> Ground Cu 0.05-0.15um, (Matted) Sn 0.8-1.8um
5	ST731483-3	N110 FEMALE TML(L)	FLALRY 2.0	2.4-2.6	23.65	5.8	4.3	3.3	19.0	14.0	1.20	3.80	3.60	1.60	4.95	4.70	
6	ST731424-3	N110 FEMALE TML(L)	AVSS1.25, AESSXF1.25, FLY-A1.5, AVSS2.0, AESSXF2.0, FLY-A2.0, AESSXF2.5, FLY-A2.5, AVSS0.85x0.85, AVSSXF 1.5	2.1-3.2	23.65	5.8	4.3	3.3	19.0	14.0	1.20	3.80	3.60	1.60	4.95	4.70	
7	ST731423-3	N110 FEMALE TML(XL)	AVS3.0,FLRY-B4.0	3.4-3.9	27.45	8.5	6.6	4.3	22.6	15.0	1.50	4.70	4.50	1.90	5.90	5.70	<Ag> Ground Ni 2.0-4.0um, (Matted) Ag 3.0-5.0um
8	ST731423-4	N110 FEMALE TML(XL)	FHLR2GCB2G 4.0														

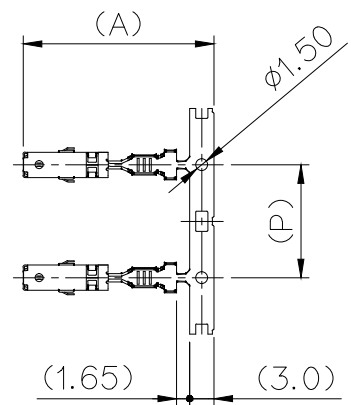
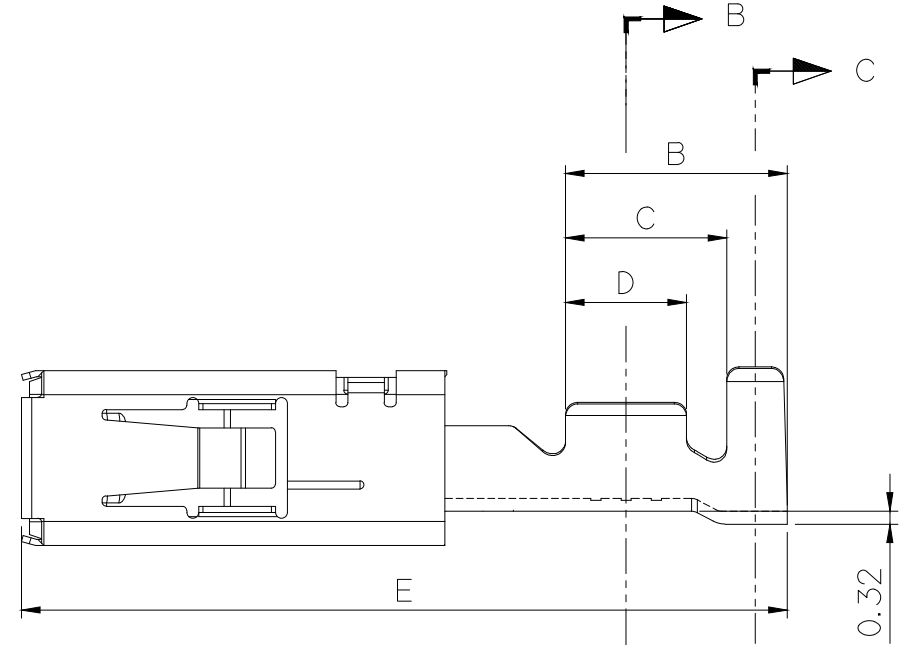
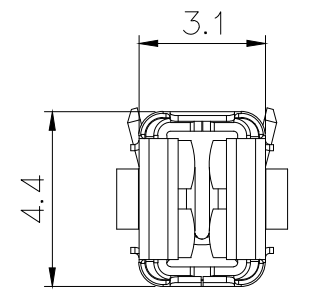
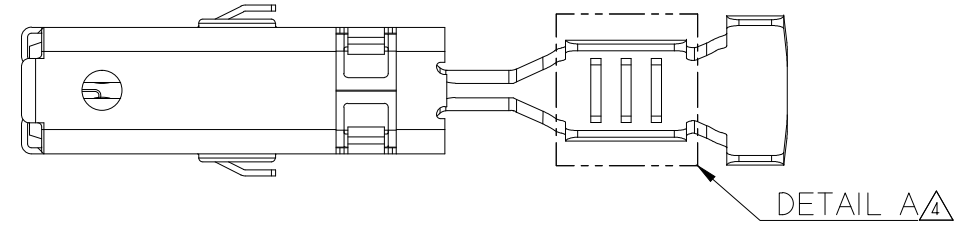
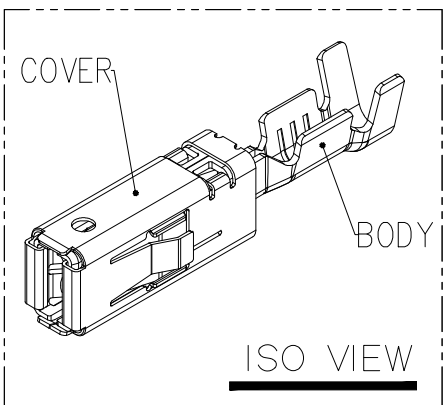
GENERAL TOLERANCE (TERMINAL)						USED ON
10 MAX	20 MAX	45 MAX	45 VR	ANGLE	ECCENT	SEE NOTE
±0.2	±0.25	±0.3	±0.5	±30'	0.1	

**주 기**

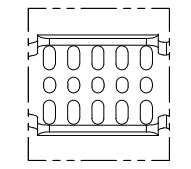
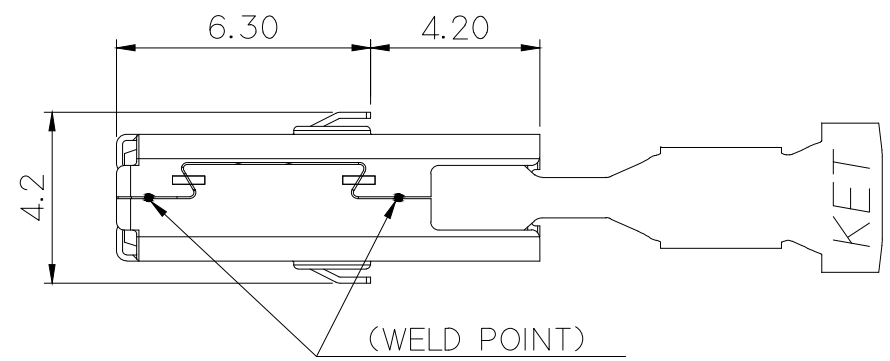
- 지시없는 C,R=0.10으로 한다.
- 기능상 유해한 변형 및 BURR가 없을 것.
- 적용 상대 MALE TERMINAL: ST741369-3(S), ST741368-3(M), ST741367-3(L), ST741409-3(M), ST741419-3(ML), ST741410-3(L), ST741404-3(XL), ST741404-4(XL)
- 제품내 함유된 6대 유해물질 (납, 수은, 카드뮴, 6가크롬, PBBs, PBDEs)은 EU ELV 지침 및 RoHS 법규에서 지정한 최대 허용 농도를 초과해서는 안된다.

**NOTE**

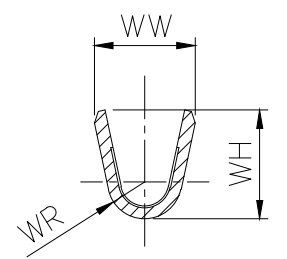
- UNLESS OTHERWISE SPECIFIED ALL RADII TO BE 0.10 RADIUS AND CAMPER.
- MUST BE FREE OF BURR AND TRANSFORM THAT AFFECT FUNCTION.
- APPLICABLE MALE TERMINAL: AL: ST741369-3(S), ST741368-3(M), ST741367-3(L), ST741409-3(M), ST741419-3(ML), ST741410-3(L), ST741404-3(XL), ST741404-4(XL)
- 6 HAZARDOUS SUBSTANCES IN PARTS (LEAD, MERCURY, CADMIUM, HEXAVALENT CHROMIUM, PBBs, PBDEs) SHOULD NOT EXCEED THE MAXIMUM PERMISSIBLE CONCENTRATION PRESCRIBED UNDER EU ELV DIRECTIVE & RoHS REGULATION.



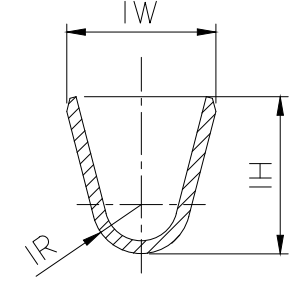
N110 FEMALE TML  
(S= 1/1)



DETAIL A  
(ST731482-3, ST731483-3, ST731495-3)



SECTION B-B  
(WIRE BARREL)



SECTION C-C  
(INSULATION BARREL)

**APPROVED**  
2019-11-06  
KOREA ELECTRIC  
TERMINAL CO., LTD.  
Korea Electric Terminal Co., LTD.

ISSUE MARK

ECO-1907-167 근거 도면 제작성 알루미늄 세레이션 형상 CU도면 추가	HJE	CKY	19.07.10	MATERIAL	Body:Copper Alloy Cover:STS		KOREA ELECTRIC TERMINAL CO., LTD.	
ECO-1811-414 근거 도면 작성 (AVSSXF 1.0, 1.5 전선 사양 추가)	LJH	HJE	LSY	18.11.26	FINISH			Body:Pre-Tin Cover:None
ECO-1805-109 근거 도면 작성 알루미늄 사양 추가 및 전선사양 변경	HJE	LSY	SUK	18.06.18	WIRE RANGE	SEE TABLE	CLASS	110(280)
ECO-1712-053 근거 도면 작성 XL 온도급사양 및 시전선전용 Modify 개발	HJE	WSW	CMS	17.12.05	INSULATION	SEE TABLE	TYPE	비방수
RELEASE	HJE	CMS	LJE	17.03.27	TOLERANCE EXCEPT AS NOTED	SEE TABLE	SCALE	5/1
LTR	DR.	CHK.	APP.	DATE	PART NAME	N110 FEMALE TERMINAL		
DR. HJE, 2017.03.27	CHK. CMS, 17.03.27							
CHK.	APP. LJE, 17.03.27							

DIMENSIONS IN mm