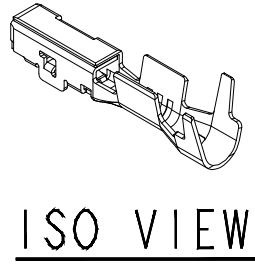


CUSTOMER DRAWING

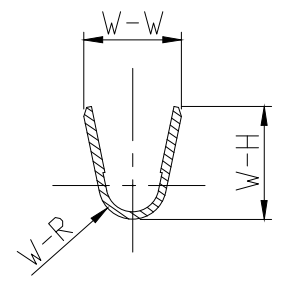
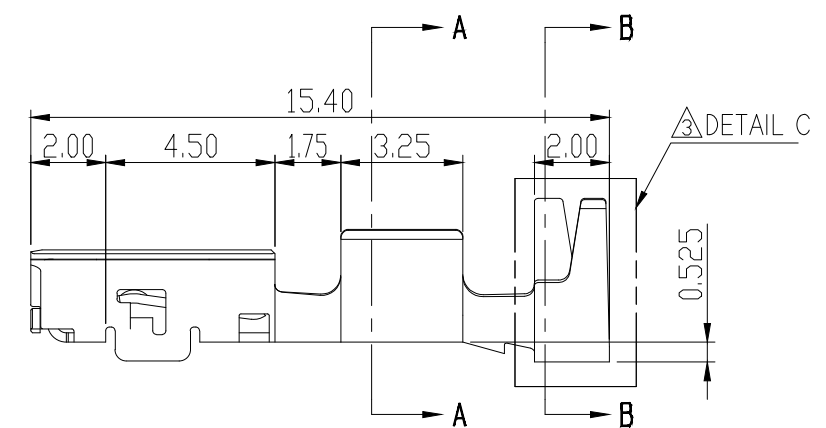
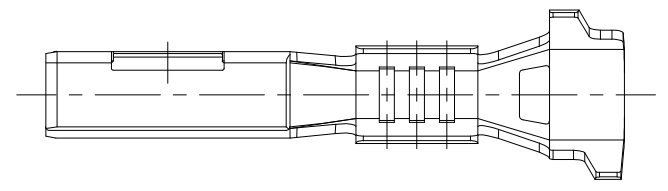
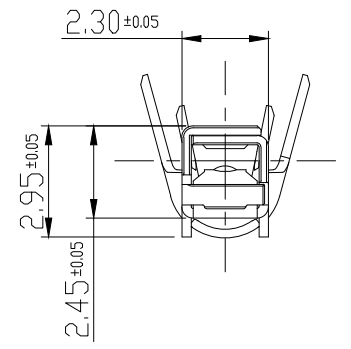
PART NO. SEE TABLE



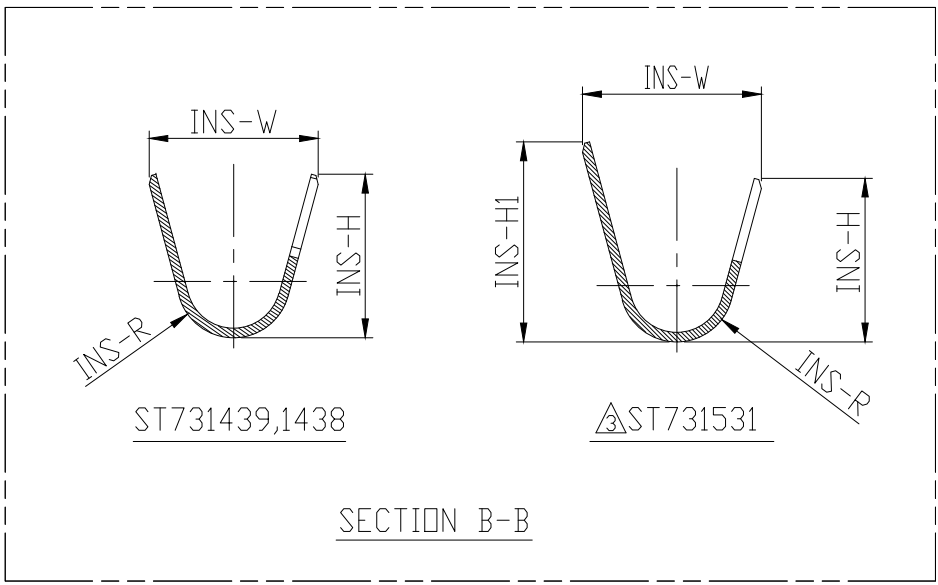
GENERAL TOLERANCE (TERMINAL)					USED ON
10 MAX	20 MAX	45 MAX	ANGLE	ECCENT	
±0.2	±0.3	±0.55	±30'	0.1	

- 주 기
1. 지시없는 C, R=0.30으로 한다.
 2. 기능한 유해한 흠, 변형 및 BURR가 없을 것
 3. 적용 상대 TAB TERMINAL : ST741375-3, ST741376-3, △ST741439-3
 4. 제품내 함유된 6대 유해물질 (납, 수은, 카드뮴, 6가크롬, PBBs, PBDEs)은 EU ELV 지침 및 RoHS 법규에서 지정한 최대 허용 농도를 초과해서는 안된다.
 - △5. *) 전선사양 적용 시 사용 환경 고려할 것. (EX. 온도조건)

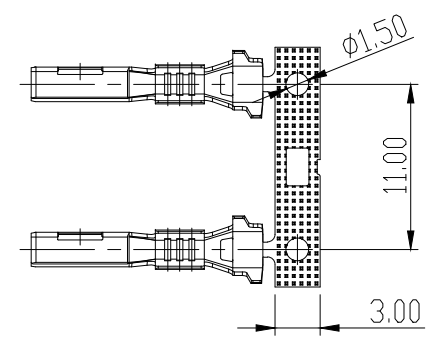
- NOTES
1. UNLESS OTHERWISE SPECIFIED ALL RADIUS TO BE 0.3 RADIUS AND CHAMFER.
 2. MUST BE FREE OF FLASH, SINK AND IMPERFECTION THAT AFFECT FUNCTION.
 3. APPLICABLE TAB TERMINAL : ST741375-3, ST741376-3, △ST741439-3
 4. 6 HAZARDOUS SUBSTANCES IN PARTS (LEAD, MERCURY, CADMIUM, HEXAVALENT CHROMIUM, PBBs, PBDEs) SHOULD NOT EXCEED THE MAXIMUM PERMISSIBLE CONCENTRATION PRESCRIBED UNDER EU ELV DIRECTIVE & RoHS REGULATION.
 - △5. *) WHEN APPLYING WIRE SPECIFICATIONS, CONSIDER THE USE ENVIRONMENT. (EX. TEMPERATURE CONDITION)



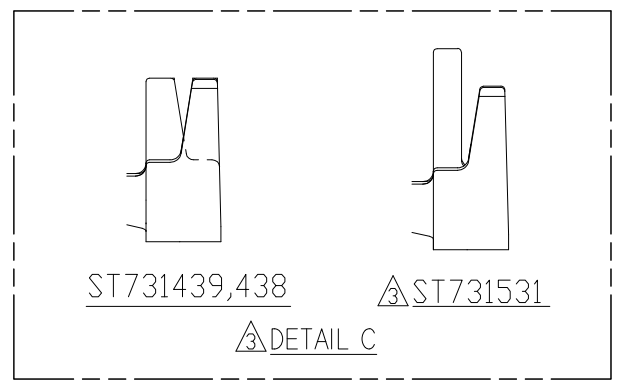
SECTION A-A



SECTION B-B



C060 WP FEMALE TML SCALE 2/1



ST731439,438 △ST731531
△DETAIL C

APPROVED
2019-11-06
KOREA ELECTRIC
TERMINAL CO., LTD.
Korea Electric Te
rminal Co., LTD.

ISSUE MARK

DIMENSIONS (IN MM)

NO	PART NO	PART NAME	△*) WIRE RANGE	W-R	W-W	W-H	INS-R	INS-W	INS-H	INS-H1	WIRE SEAL	INSULATION RANGE
1	ST731439-3	C060 WP FEMALE TM'L(M)	△PFA WIRE 0.3sq 0.3~0.5sq (AVSSXF, AESSXF)	0.75	2.40	2.30	1.50	4.50	4.35	-	△MG685570 MG685513	1.14~1.34 1.4~1.7
2	ST731438-3	C060 WP FEMALE TM'L(L)	△0.75~1.25sq (AVSSXF, AESSXF)	1.00	3.20	2.90	1.50	4.50	4.35	-	MG685514	1.8~2.2
△3	ST731531-3	C060 WP FEMALE TM'L(XL)	1.5sq (FLR2X-B)	1.00	3.20	2.90	1.50	4.75	4.35	5.30	MG685514	2.2~2.4

△	ECD-1906-205 1.5Sq Modify 개발	JKH	HJE	CKY	19.07.01	MATERIAL	Copper Alloy
△	ECD-1904-274 적용 WIRE RANGE 변경	SSW	HJE	CKY	19.04.16	FINISH	PRE-TIN
△	ECD-1805-400 적용 WIRE SEAL 사양추가	LJH	LSY	SUK	18.05.29	WIRE RANGE	SEE TABLE
△	ECD-1703-099 양산도면 출도	PSJ	WSW	K.H	17.03.07	INSULATION	SEE TABLE
LTR	REVISION RECORD	DR.	CHK.	APP.	DATE	TOLERANCE	SEE TABLE
	DR. PSJ 17.03.07		CHK			SCALE	5/1
	CHK. WSW 17.03.07		APP.	K.H 17.03.07		PART NO.	SEE TABLE
						PART-NAME	C060 WP FEMALE TERMINAL(M,L,XL)

KIET KOREA ELECTRIC
TERMINAL CO., LTD.