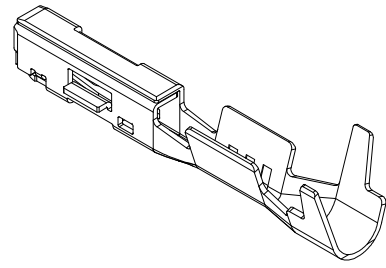
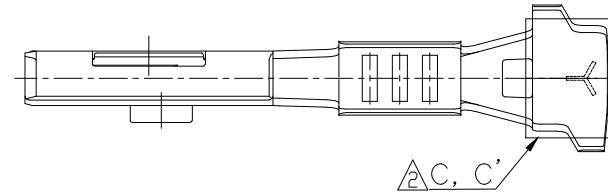


PART NO. △SEE TABLE

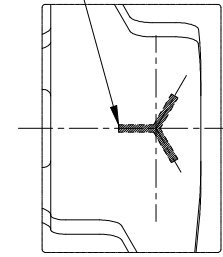
CUSTOMER DRAWING



ISO VIEW

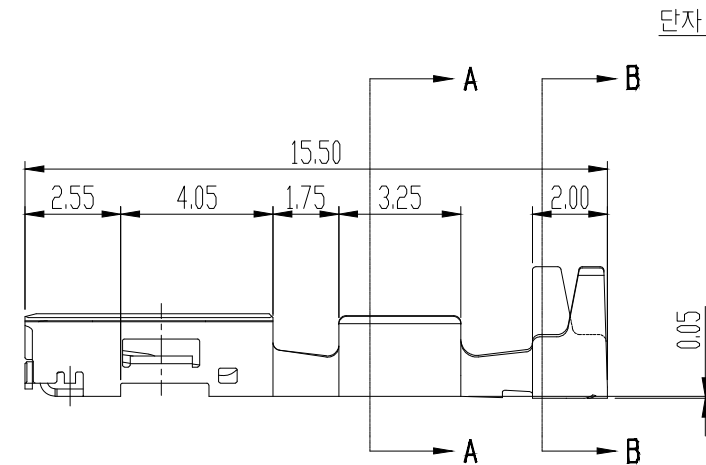


단자 배면 KET LOGO 각인

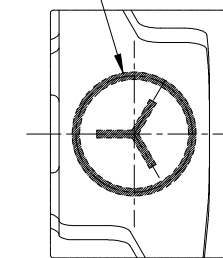


△DETAIL C

SCALE 10/1
(ST731442-3, ST731442-G, ST731441-3, ST731441-G)

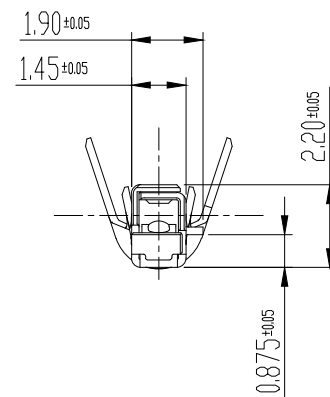


단자 배면 KET LOGO 각인



△DETAIL C'

SCALE 10/1
(ST731442-7, ST731441-7)



GENERAL TOLERANCE (TERMINAL)					USED ON
10 MAX	20 MAX	45 MAX	ANGLE	ECCENT	
±0.2	±0.3	±0.55	±30'	0.1	

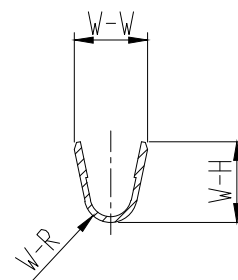
주 기

- 지시없는 C, R= 0.30으로 한다.
- 가능한 유해한 흠, 변형 및 BURR가 없을 것
- 적용 WIRE SEAL : MG685516, MG685517, MG685534
- △ 불소 함유 WIRE SEAL : MG685568, MG685567, MG685566
- 적용 상대 TAB TERMINAL : ST741378-3, ST741379-3, △ST741378-G, ST741379-G, △ST741378-7, △ST741379-7
- 제품내 함유된 6대 유해물질 (납,수은,카드뮴,6가크롬, PBBs,PBDEs)은 EU ELV 지침 및 RoHS 법규에서 지정한 최대 허용 농도를 초과해서는 안된다.
- △6. 전선외경은 STANDARD 외경치수 기준
- △7. 신뢰성 내구평가 시 적용전선의 온도등급 기준으로 적용할 것

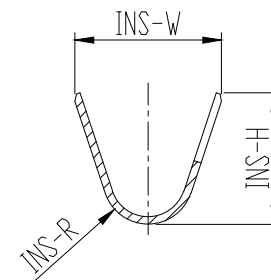
NOTES

- UNLESS OTHERWISE SPECIFIED ALL RADIUS TO BE 0.3 RADIUS AND CAMBER.
- MUST BE FREE OF FLASH, SINK AND IMPERFECTION THAT AFFECT FUNCTION.
- APPLICABLE WIRE SEAL : MG685516, MG685517, MG685534
FLUORO SILICONE WIRE SEAL : MG685568, MG685567, MG685566
- APPLICABLE TAB TERMINAL : ST741378-3, ST741379-3, △ST741378-G, ST741379-G, △ST741378-7, △ST741379-7
- 6 HAZARDOUS SUBSTANCES IN PARTS (LEAD, MERCURY, CADMIUM, HEXAVALENT CHROMIUM, PBBs, PBDEs) SHOULD NOT EXCEED THE MAXIMUM PERMISSIBLE CONCENTRATION PRESCRIBED UNDER EU ELV DIRECTIVE & RoHS REGULATION.
- △6. WIRE INSULATION RANGE IS BASED ON STANDARD OUTER DIAMETER.
- △7. WHEN RELIABILITY DURABILITY TEST, IT IS APPLIED BASED ON THE TEMPERATURE CLASS OF THE APPLIED WIRE.

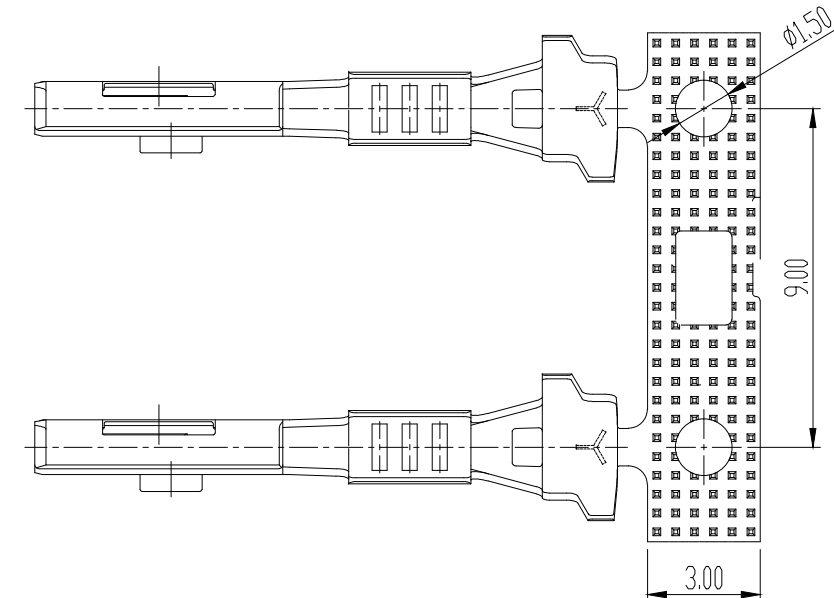
△	PART NO	처 리	도 금
	ST731442-3	UnderCoat : Cu 0.3 - 0.8 μm	Pre-Tin
	ST731441-3	Pre-Tin Sn : 0.8 - 1.8 μm	
△	ST731442-7	Low Friction Pre-Tin	Pre-Tin LFP
△	ST731441-7	Sn : 0.8 - 1.8 μm	
	ST731442-G	UnderCoat : Ni 1.0 - 2.0 μm	Au
	ST731441-G	Au : Min. 0.38 μm Sn : Min. 0.8 - 1.8 μm	



SECTION A-A



SECTION B-B



C025 WP FEMALE TML

APPROVED

2021-11-03

KOREA ELECTRIC
TERMINAL CO., LTD.
Korea Electric Te
rminal Co., LTD.

ISSUE MARK

NO	PART NO	PART NAME	W-R	W-W	W-H	INS-R	INS-W	INS-H	WIRE RANGE	WIRE SEAL	WIRE SEAL (FLUORO SILICONE)	WIRE INSULATION RANGE (STANDARD)
1	ST731442-3/	C025 WP FEMALE TML(S)	0.60	1.50	1.50	1.20	3.90	3.50	AESSXF 0.22	MG685534	-	φ1.0-φ1.2
	△AVSSXF 0.22											
	△CHFUS 0.22											
△ST731442-G/												
△ST731442-7												
2	ST731441-3/	C025 WP FEMALE TML(M)	0.70	1.95	2.15	1.20	3.90	3.50	△CIVUS 0.35	MG685516	△MG685568	φ1.25-φ1.4
	AVSSXF 0.3											
	AESSXF 0.3											
	△CIVUS 0.5											
	△FLR2X-A 0.35											
△ST731441-G/												
△ST731441-7												
									AVSSXF 0.5	MG685517	△MG685567	φ1.5-φ1.6
								AESSXF 0.5				
									△FLR2X-B 0.5			

△	ECD-2012-144	근거도면 변경	CJH	HJF	CKY	21.01.07	MATERIAL	Copper Alloy	KETA ENGINEERED	KOREA ELECTRIC TERMINAL CO., LTD.			
△	ECD-2007-315	저마찰도금사양 추가	CJH	HJF	CKY	20.10.20	FINISH	PRE-TIN					
△	ECD-1804-293	금도금, SEAL 추가	YTK	LSY	SUK	18.04.27	WIRE RANGE	SEE TABLE	CLASS	C025 WP			
△	ECD-1703-099	양산도면 출도	PSJ	WSW	KH	17.03.07	INSULATION	SEE TABLE	TYPE	방수			
LTR	REVISION RECORD			DR.	CHK.	APP.	DATE	TOLERANCE EXCEPT AS NOTED	SEE TABLE	SCALE	5/1	PART NO.	△SEE TABLE
	DR. PSJ 17.03.07			CHK				PART_NAME		C025 WP FEMALE TERMINAL			
	CHK. WSW 17.03.07			APP. K.H 17.03.07									

(DIMENSIONS IN MM)