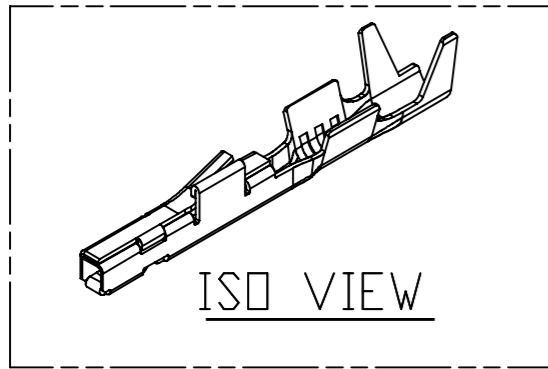
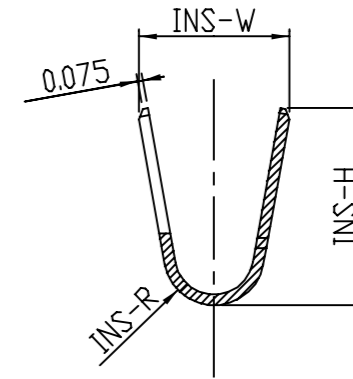
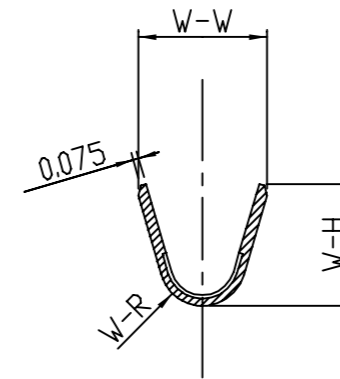
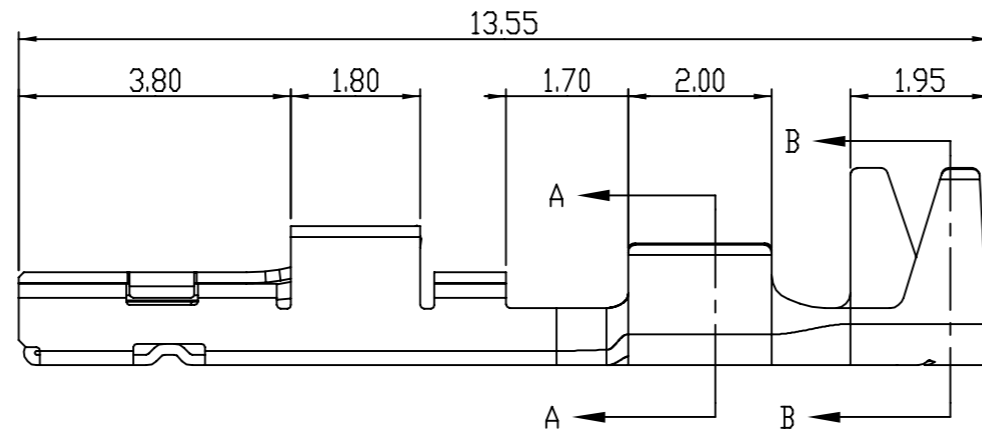
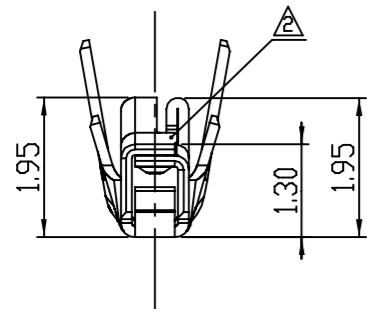
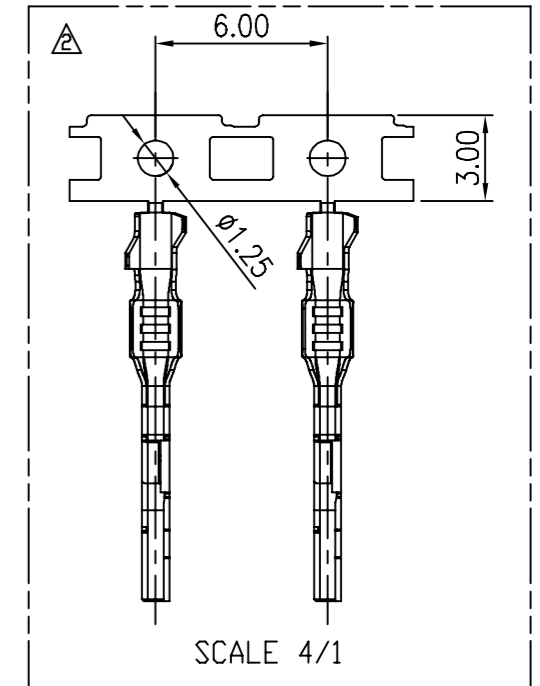
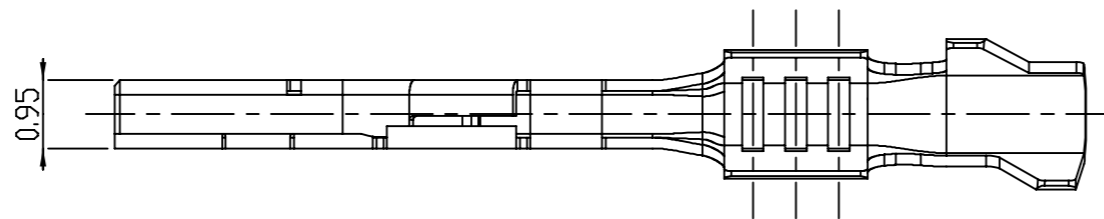


PART NO. SEE TABLE  
CUSTOMER DRAWING



GENERAL TOLERANCE (TERMINAL)					USED ON
10 MAX	20 MAX	45 MAX	ANGLE	ECCENT	
±0.2	±0.3	±0.55	±30'	0.1	



SECTION A-A

SECTION B-B

- 주지
- 기능상 유해한 흠, 변형 및 BURR가 없을 것.
  - 제품내 함유된 6대 유해물질(납, 수은, 카드뮴, 6카크롬, PBBs, PBDEs)은 EU ELV 지침 및 RoHS 법규에서 지정한 최대 허용 농도를 초과해서는 안된다.
- NOTE
- MUST BE FREE OF BURR AND IMPERFECTION THAT AFFECT FUNCTION.
  - 6 HARZARDOUS SUBSTANCES IN PARTS(LEAD, MERCURY, CADIMIUM, HEXAVALENT CHROMIUM, PBBs, PBDEs) SHOULD NOT EXCEED THE MAXIMUM PERMISSIBLE CONCENTRATION PRESCRIBED UNDER EU ELV DIRECTIVE & RoHS REGULATION.

NO	PART NO	PART NAME	WIRE RANGE	W-R	W-W	W-H	INS-R	INS-W	INS-H
1	ST731462-3	020 LANCE TERMINAL	AVSS_0.3sq AVSSXF_0.3sq CIVUS_0.35sq	0.60	1.80	1.70	0.70	2.10	2.75
2	ST731535-3	020 LANCE TERMINAL(S)	CHFUS_0.13-0.22sq	0.40	1.70	1.40	0.60	1.75	2.22

APPROVED

2021-10-18

KOREA ELECTRIC  
TERMINAL CO., LTD.  
Korea Electric Te  
rminal Co., LTD.

ISSUE MARK

				MATERIAL	COPPER ALLOY		<b>KIET</b> ENGINEERED	KOREA ELECTRIC TERMINAL CO., LTD.
				FINISH	PRE-TIN			
				WIRE RANGE	SEE TABLE		CLASS	020
				INSULATION	SEE TABLE		TYPE	
LTR	REVISION RECORD			DR.	CHK.	APP.	DATE	TOLERANCE EXCEPT AS NOTED
	DR. KNLEE 17'06.12			CHK. KNLEE 17'06.12				SCALE 10/1
CHK.				APP. HCKWIN 17'06.12				PART NO. SEE TABLE
				PART_NAME		020 LANCE TERMINAL		

DIMENSIONS IN MM