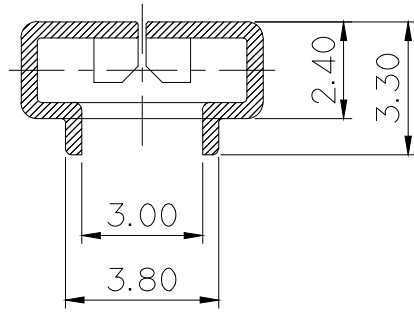
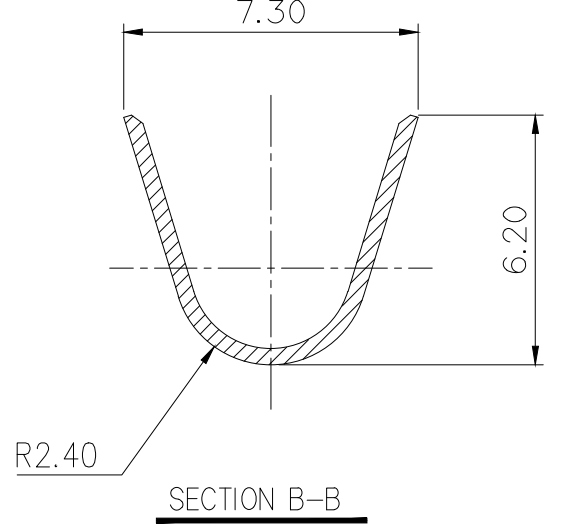
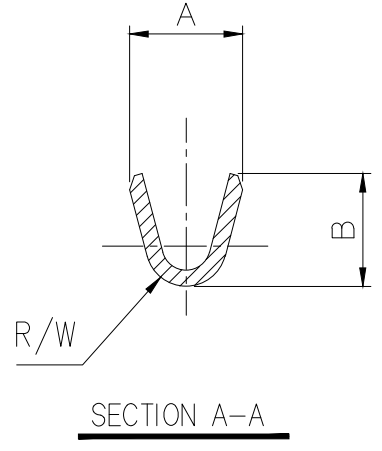


GENERAL TOLERANCE (TERMINAL)					USED ON
50MAX	100MAX	250MAX	ANGLE	ECCENT	
±0.2	±0.3	±0.5	±30'	0.1	

PART NO.	BARREL	WIRE RANGE(mm <sup>2</sup> )	피복외경	WIRE BARREL			적용
				A	B	W/R	WIRE SEAL
ST740734-3	AVS 0.3 - 0.85	φ1.8 - 2.2		2.8	2.8	R1.0	MG681370(S)
ST740735-3	AVS 1.25 - 2.0	φ2.5 - 2.9		3.6	3.6	R1.3	MG681371(M)
ST740736-3	AVS 3.0	φ3.6		4.4	4.6	R1.5	MG681372(L)



- 주 기
- 기능상 유해한 BURR 및 변형이 없을 것.
  - 적용 CONN'T: 187 II W/P SERIES



ISSUE MARK

					MATERIAL	BRASS	KOREA ELECTRIC TERMINAL CO., LTD.	
					FINISH	PRE-TIN		
					WIRE RANGE		CLASS	
					INSULATION		TYPE	
LTR	REVISION RECORD	DR.	CHK.	APP.	DATE	TOLERANCE EXCEPT AS NOTED	SCALE	PART NO.
	DR. WK CHOI 99.09.02		CHK. KIM 99.09.02			SEE TABLE	5/1	ST740734, 735, 736
	CHK.		APP. CHO 99.09.07			PART NAME	187 II W/P TAB TERMINAL	