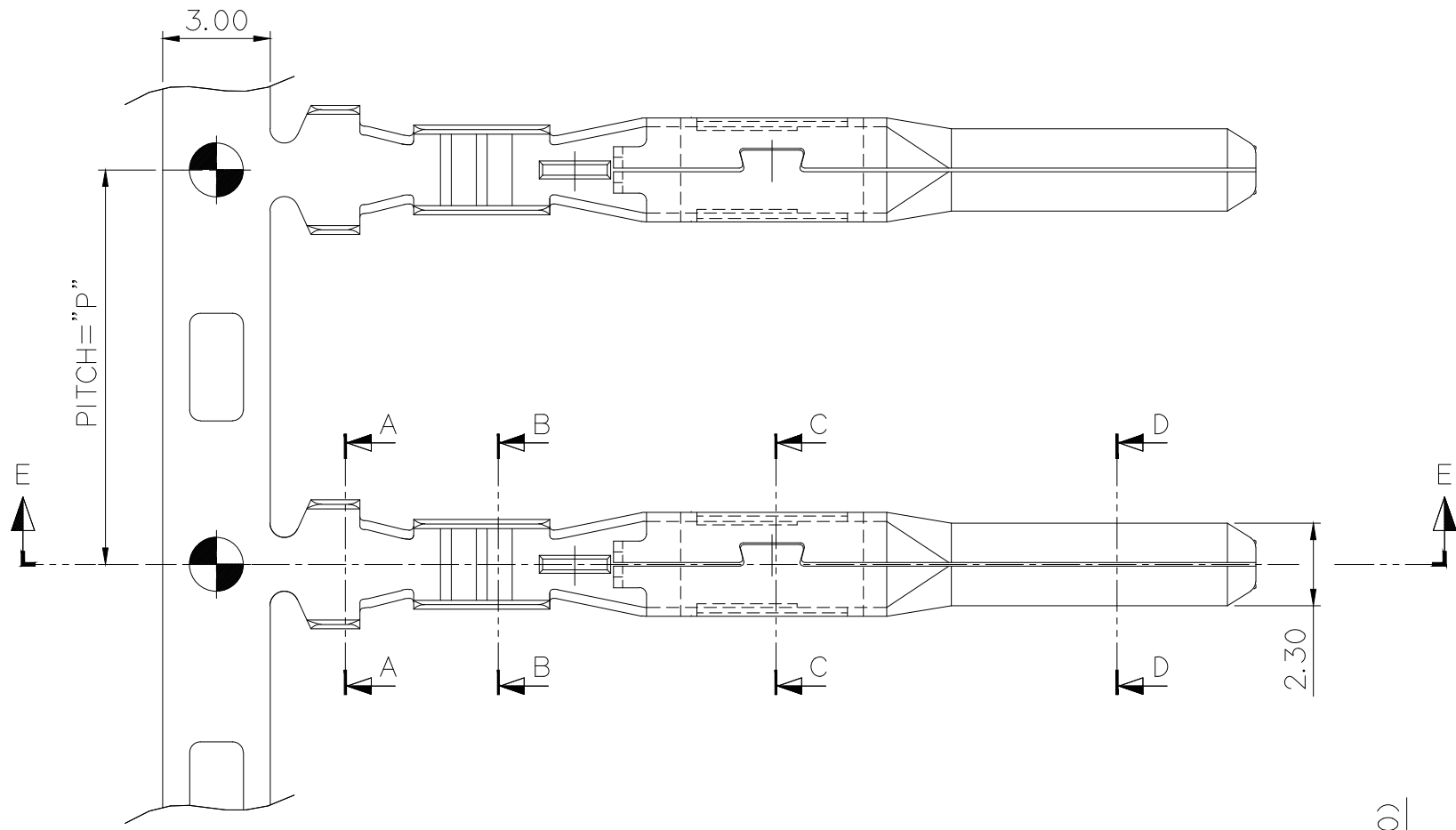


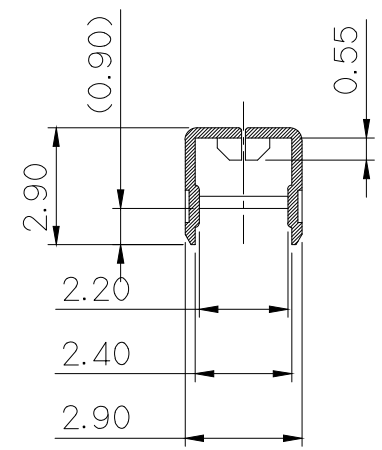
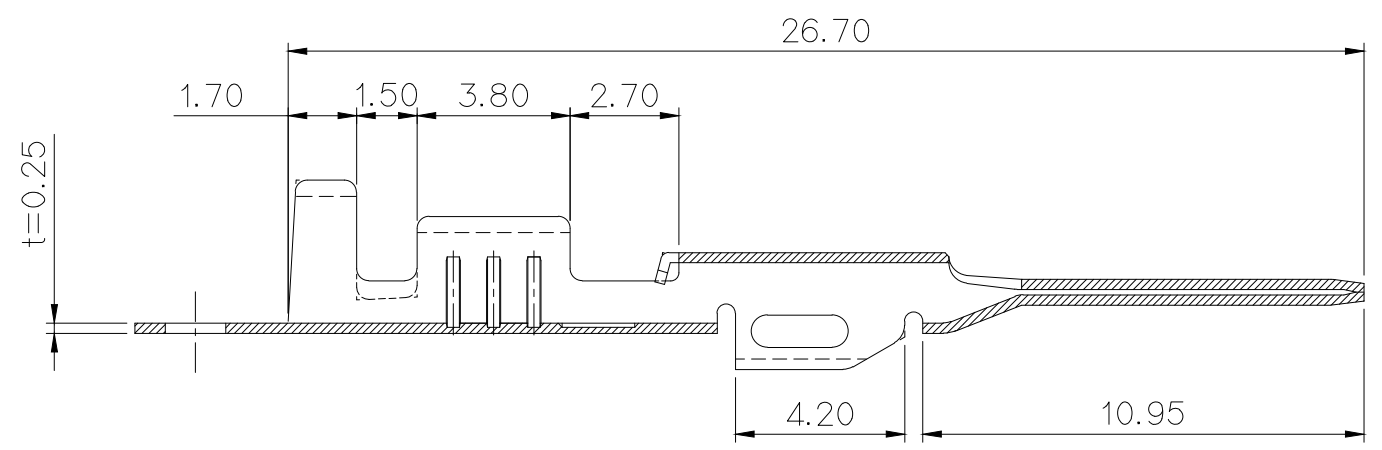
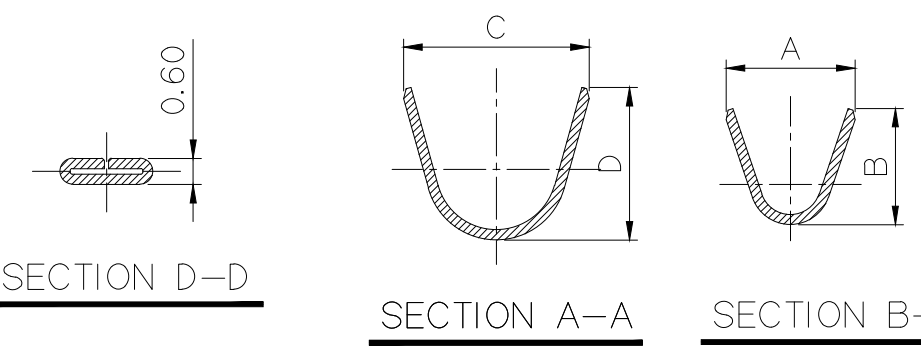
PART NO. ST741154,1155
ST741156,1157

CUSTOMER DRAWING

GENERAL TOLERANCE (TERMINAL)					USED ON
10MAX	20MAX	45MAX	ANGLE	ECCENT	
±0.2	±0.25	±0.3	±30'	0.1	



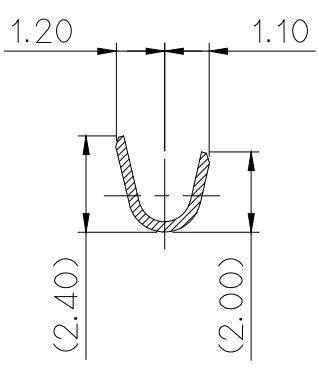
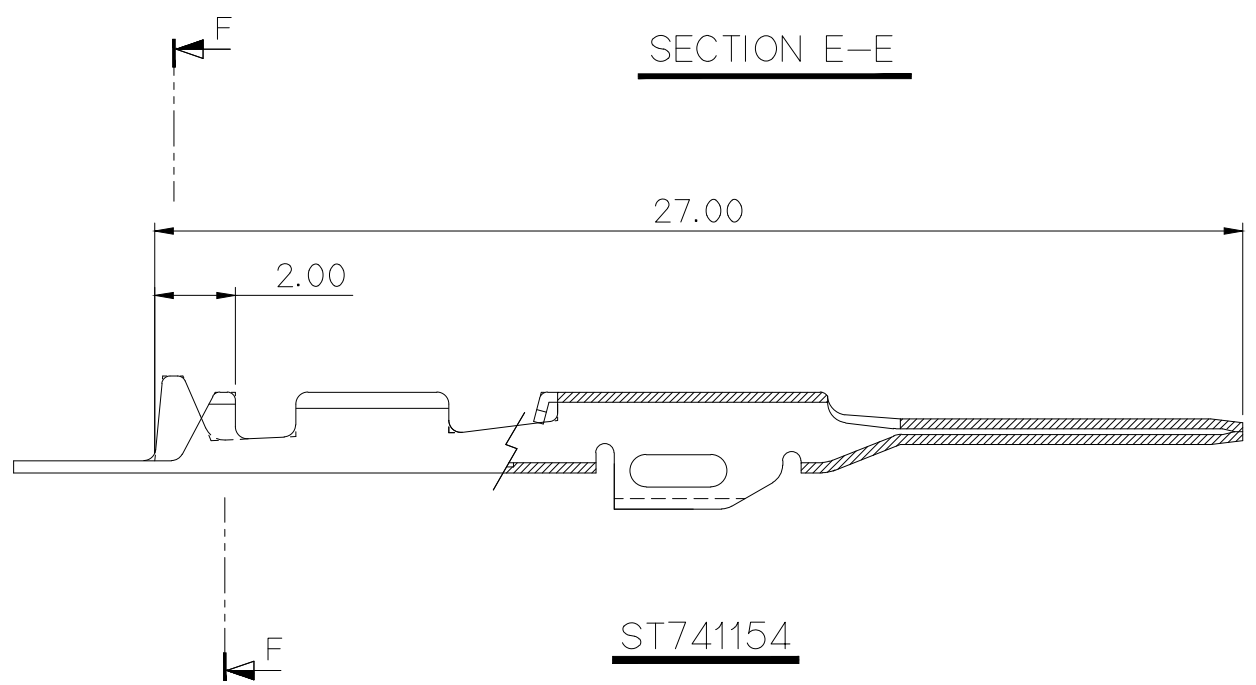
PART NO.	BARREL WIRE RANGE (mm ²)	WIRE BARREL		INSULATION BARREL		PITCH "P"
		A	B	C	D	
ST741154(SS)	CHFUS 0.13~0.22 AVSS 0.22	2.0	(2.0)	-	-	9.5 Δ
ST741155(S)	AVSS(CAVS) 0.3~0.5	2.4	(2.3)	3.6	3.3	
ST741156(M)	AVSS(CAVS) 0.85~1.25	3.2	(2.9)	4.6	3.8	11.0
ST741157(L)	AVS(CAVS) 2.0, AESSXF 2.5	4.3	(4.1)	4.6	3.9	



SECTION C-C

NOTE

1. APPLICABLE WIRE : SEE TABLE
2. MUST BE FREE OF FLASH, SINK AND IMPERFECTION THAT AFFECT FUCTION
3. 6 HAZARDOUS SUBSTANCES IN PARTS (LEAD, MERCURY, CADMIUM, HEXAVALENT CHROMIUM, PBBs, PBDEs) SHALL NOT EXCEED THE MAXIMUM PERMISSIBLE CONCENTRATION PRESCRIBED UNDER EU ELV DIRECTIVE & RoHS REGULATION.



SECTION F-F (ST741154)

주 기

1. 적용 전선 : SEE TABLE
2. 기능상 유해한 흠, 변형 및 BURR 가 없을 것
3. 제품내 함유된 6대 유해물질 (납,수은,카드뮴,6가크롬, PBBs,PBDEs)은 EU ELV 지침 및 RoHS 법규에서 지정한 최대 허용 농도를 초과해서는 안된다.



ISSUE MARK

					MATERIAL	BRASS	KET KOREA ELECTRIC ENGINEERED TERMINAL CO., LTD.
					FINISH	PRE-TIN	
					WIRE RANGE	SEE TABLE	CLASS .090
					INSULATION		TYPE
Δ	PITCH 오기 수정	JYS		09.08.25	TOLERANCE EXCEPT AS NOTED	SEE TABLE	SCALE 5/1
LTR	REVISION RECORD	DR.	CHK.	APP.	DATE		PART NO. ST741154,1155,1156,1157
	DR. JYS '09.06.03		CHK. HSH '09.06.03				
	CHK.		APP. KKJ '09.06.03				PART NAME NEW 090 MALE TERMINAL

DIMENSIONS IN (MM)