

ST741373-3

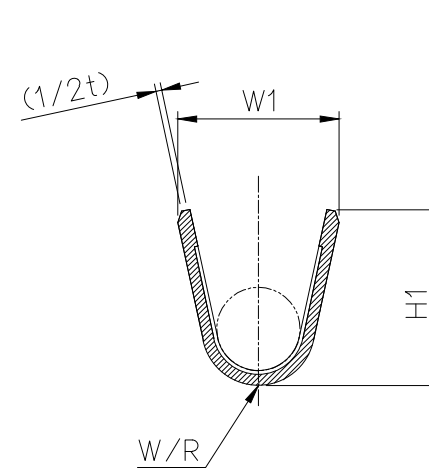
GENERAL TOLERANCE (TERMINAL)						USED ON
10 MAX	20 MAX	45 MAX	45 VR	ANGLE	ECCENT	
±0.2	±0.25	±0.3	±0.5	±30'	0.1	

주 기

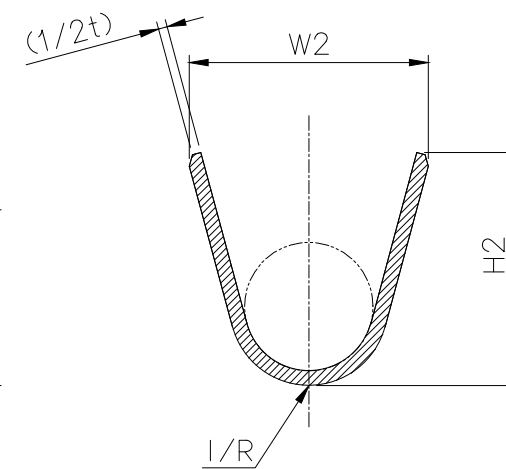
1. 지시없는 C,R=0.30으로 한다.
2. 기능상 유해한 흠,변형 및 BURR가 없을것.
3. 적용 상대 FEMALE TERMINAL : ST731279,731280,731281,731432
4. 제품내 함유된 6대 유해물질 (납, 수은, 카드뮴, 6가크롬, PBBs, PBDEs)은 EU ELV 지침 및 RoHS 법규에서 지정한 최대 허용 농도를 초과해서는 안된다.

NOTE

1. UNLESS OTHERWISE SPECIFIED ALL RADII TO BE 0.3 RADIUS.
2. MUST BE FREE OF FLASH, SINK AND IMPERFECTION THAT AFFECT FUNCTION.
3. APPLICABLE FEMALE TERMINAL : ST731279,731280,731281,731432
4. 6 HAZARDOUS SUBSTANCES IN PARTS (LEAD, MERCURY, CADMIUM, HEXAVALENT CHROMIUM, PBBs, PBDEs) SHALL NOT EXCEED THE MAXIMUM PERMISSIBLE CONCENTRATION PRESCRIBED UNDER EU ELV DIRECTIVE & RoHS REGULATION.



SECTION A-A



SECTION B-B

PART NO.	BARREL WIRE RANGE	WIRE BARREL			INSULATION BARREL		
		W1	H1	W/R	W2	H2	I/R
ST741285-3	AVSS 0.3 - 0.5	2.9	2.6	0.9	3.8	3.8	1.4
ST741286-3	AVSS 0.85 - 1.25	3.0	3.5	1.2	5.0	5.0	2.0
ST741287-3	AVSS 2.0, AVS 3.0	4.4	4.6	1.5	6.5	6.1	2.1
ST741373-3	FLR2X-B 4.0	5.0	5.0	1.8	6.7	(6.5)	2.1

DIMENSIONS IN MM

MATERIAL	BRASS		KOREA ELECTRIC TERMINAL CO., LTD.
FINISH	PRE-TIN		
WIRE RANGE	SEE TABLE	CLASS	280
INSULATION	SEE TABLE	TYPE	
LTR	REVISION RECORD	DR.	CHK.
DR.	LKM	2010.02.17	CHK.
CHK.	LEE, D.G	2010.02.17	APP. HEO, S.H
TOLERANCE EXCEPT AS NOTED	SEE TABLE	SCALE	3/1
PART NAME	280(110) MALE TERMINAL		

APPROVED

2016-03-10

KOREA ELECTRIC
TERMINAL CO., LTD.
Korea Electric Te
rminal Co., LTD.

ISSUE MARK