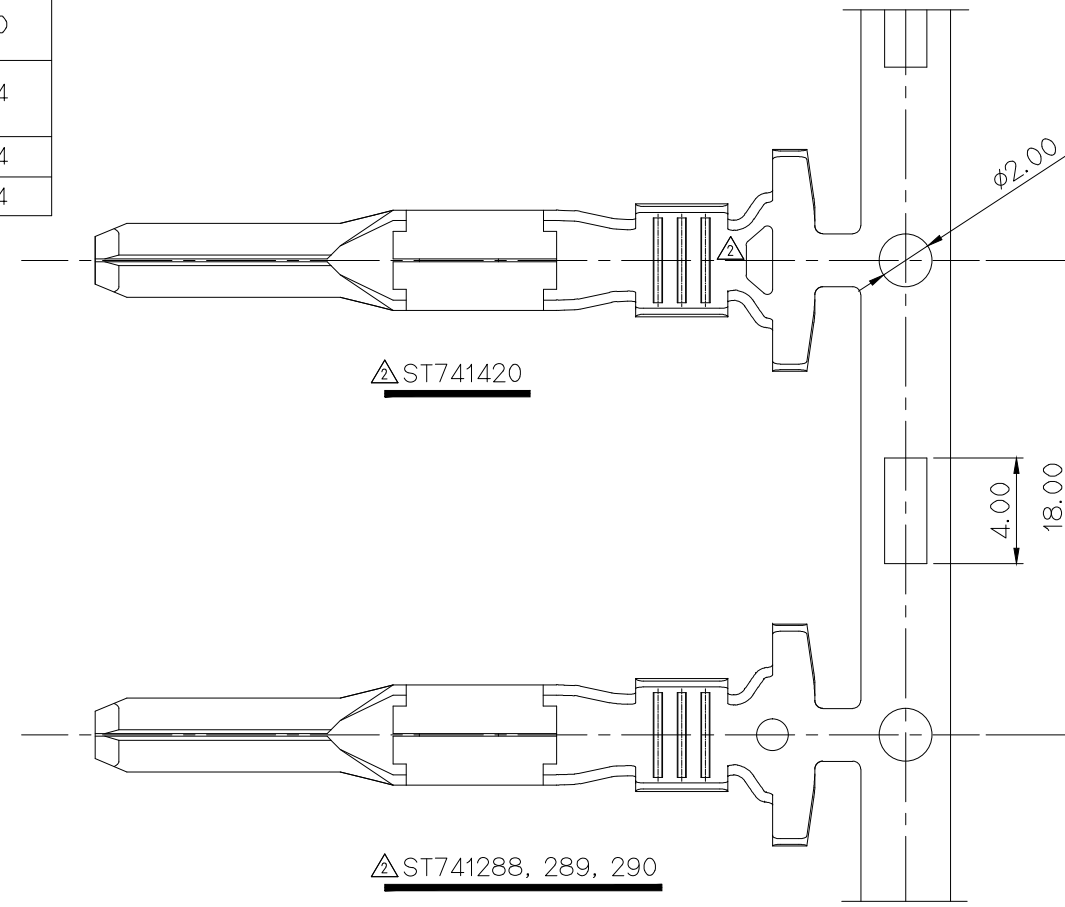
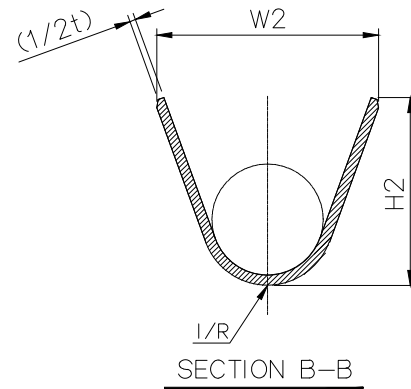
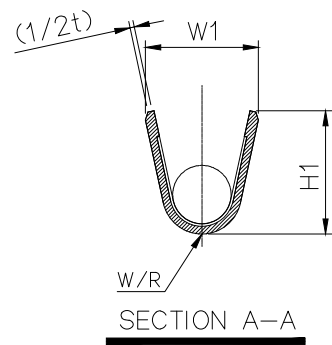


PART NO. SEE TABLE

CUSTOMER DRAWING

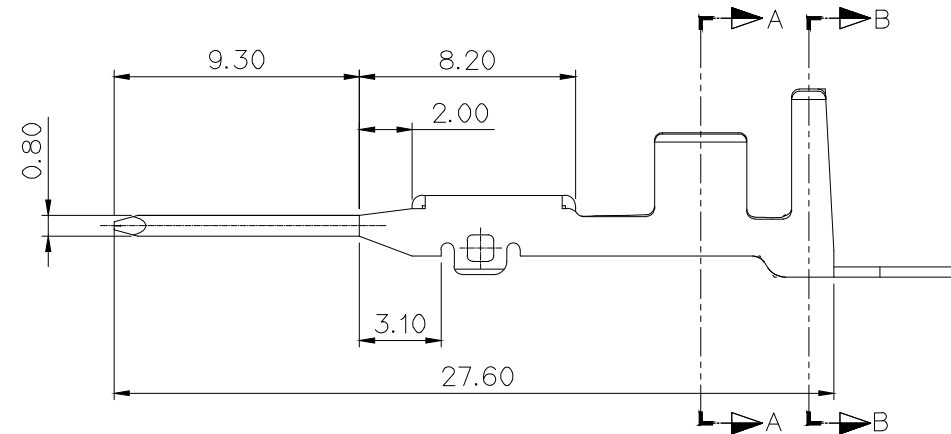
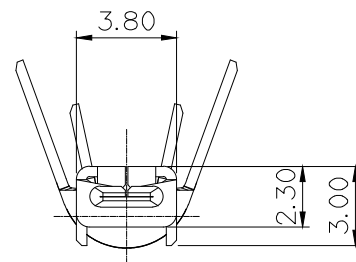
BARREL PART NO.	WIRE RANGE	WIRE BARREL			INSULATION BARREL			적용 WIRE SEAL
		W1	H1	W/R	W2	H2	I/R	
ST741288-3	△AESSXF 0.5	2.9	(2.6)	0.9	5.0	(5.6)	2.0	MG685197
	AEXF 0.3 - 0.5							MG680522
ST741289-3	△AESSXF 0.75	3.0	(3.5)	1.2	5.0	(5.6)	2.0	MG680470
	△AEXF 0.85							MG680564
	△AESSXF 1.25							
	△AEXF 1.25							
ST741290-3	△AESSXF 2.0	4.4	(4.6)	1.5	5.0	(5.6)	2.0	MG685484
	AEXF2.0, AVSSXF2.5, △AESSXF2.5							
△ST741420-3	AEXF 3.0	4.4	(4.6)	1.5	△6.76	△(7.13)	2.4	MG685574

GENERAL TOLERANCE (TERMINAL)					USED ON
10MAX	20MAX	45MAX	ANGLE	ECCENT	
±0.2	±0.25	±0.3	±30'	0.1	



주 기

1. 지시하지 않은 반경 R은 0.3로 한다
2. 지시하지 않은 모따기 C는 1/2t으로 한다.
3. 기능상 유해한 CRACK, BURR 등이 없을것.
4. 제품내 함유된 6대 유해물질 (납,수은,카드뮴,6가크롬, PBBs,PBDEs)은 EU ELV 지침 및 RoHS 법규에서 지정한 최대 허용 농도를 초과해서는 안된다.



NOTE

1. UNLESS OTHERWISE SPECIFIED ALL RADII TO BE 0.3 RADIUS.
2. UNLESS OTHERWISE SPECIFIED ALL CHAMFER TO BE 1/2t
3. MUST BE FREE OF CRACK AND BURR THAT AFFECT FUNCTION.
4. 6 HAZARDOUS SUBSTANCES IN PARTS (LEAD, MERCURY, CADMIUM, HEXAVALENT CHROMIUM, PBBs, PBDEs) SHOULD NOT EXCEED THE MAXIMUM PERMISSIBLE CONCENTRATION PRESCRIBED UNDER EU ELV DIRECTIVE & RoHS REGULATION.

APPROVED

2021-01-07

ISSUE KET KOREA ELECTRIC TERMINAL CO., LTD.

MATERIAL		C2600-H		KOREA ELECTRIC TERMINAL CO., LTD.	
FINISH		PRE-TIN		KOREA ELECTRIC TERMINAL CO., LTD.	
WIRE RANGE				CLASS 280	
INSULATION				TYPE	
LTR	REVISION RECORD	DR.	CHK.	APP.	DATE
DR.	KMH. 13.01.16	CHK.		APP.	HSH 13.01.16
TOLERANCE EXCEPT AS NOTED		SCALE		PART NO.	
SEE TABLE		4/1		ST741288, 289, 290, 420	
PART NAME		280(110) WP MALE TERMINAL			

DIMENSIONS IN MM