

SEE TABLE

PART NO.

CUSTOMER DRAWING

NO.	PART NO.	PART NAME.	WIRE RANGE	INSULATION RANGE	A	B	C	D	E	P	WIRE BARREL			INSULATION BARREL			FINISH	PACKING	
											WR	WH	WW	IR	IH	IW			
1	ST741369-3	N110 MALE TERMINAL(S)	CHFUS0.22, AESSXF0.22, AVSS0.3, AESSXF0.3, CIVUS0.35, FLYR-A0.35	1.0-1.9	28.75	5.2	3.5	2.5	24.2	14.0	0.60	1.90	1.90	0.90	2.50	2.50	<PRE-TIN> Ground Cu 0.05-0.15um. (Matted) Sn 0.8-1.8um	REEL PACKING (NORMAL)	
2	ST741409-3	N110 MALE TERMINAL(M)	FLALUY 0.75	1.3-1.5	28.75	5.5	4.0	3.0	24.2	14.0	0.92	2.70	2.50	1.22	3.90	3.70			
3	ST741368-3	N110 MALE TERMINAL(M)	AVSS0.5, FLYR-A0.5, AESSXF0.75, FLYR-A0.75, AVSS0.85, FLYR-A1.0, CIVUS 0.35+0.35, AVSSXF 1.0	1.4-2.3	28.75	5.5	4.0	3.0	24.2	14.0	0.92	2.70	2.50	1.22	3.90	3.70			
4	ST741419-3	N110 MALE TERMINAL(ML)	FLALUY 1.25	1.7-1.9	28.75	5.5	4.0	3.0	24.2	14.0	0.92	3.24	2.74	1.22	3.90	3.70			
5	ST741410-3	N110 MALE TERMINAL(L)	FLALUY 2.0	2.4-2.6	28.75	5.8	4.3	3.3	24.2	14.0	1.20	3.80	3.60	1.60	4.95	4.70			
6	ST741367-3	N110 MALE TERMINAL(L)	AVSS1.25, AESSXF1.25, FLYR-A1.5, AVSS2.0, AESSXF2.0, FLYR-A2.0, AESSXF2.5, FLYR-A2.5, AVSS0.85+0.85, AVSSXF 1.5	2.1-3.2	28.75	5.8	4.3	3.3	24.2	14.0	1.20	3.80	3.60	1.60	4.95	4.70			
7	ST741404-3	N110 MALE TERMINAL(XL)	AVS3.0, FLYR-B4.0	3.4-3.9	32.35	8.5	6.6	4.3	27.8	15.0	1.50	4.70	4.50	1.90	5.90	5.70			
8	ST741404-4	N110 MALE TERMINAL(XL)	FHLR2GCB2G 4.0, EVP-YJ 4.0	3.5-4.4	32.35	8.5	6.6	4.3	27.8	15.0	1.50	4.70	4.50	1.90	5.90	5.70			<Ag> Ground Ni 2.0-4.0um. (Matted) Ag 3.0-5.0um
9	ST741458-4	N110 MALE TERMINAL(XL)	FHLR2GCB2G 4.0, EVP-YJ 4.0	3.5-4.4	32.35	8.5	6.6	4.3	27.8	15.0	1.50	4.70	4.50	1.90	5.90	5.70			<Ag> Ground Ni 2.0-4.0um. (Matted) Ag 3.0-5.0um

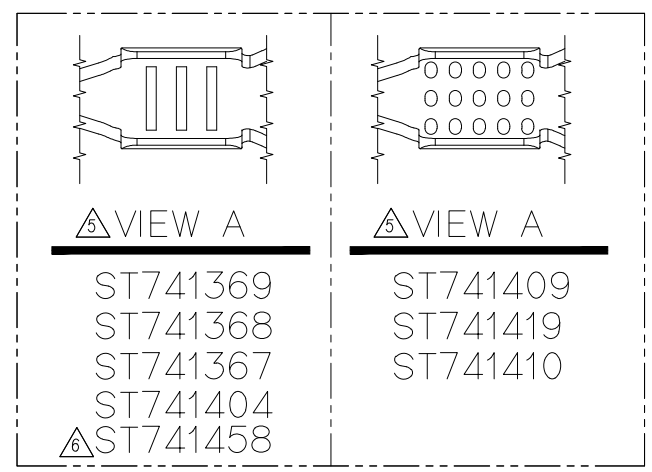
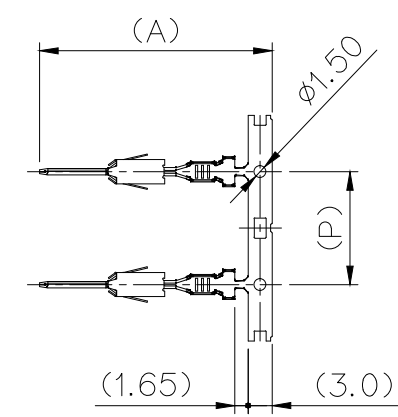
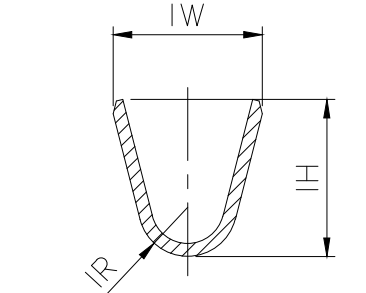
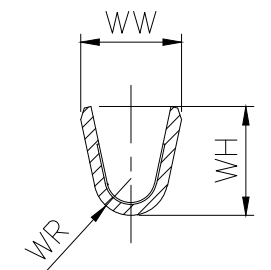
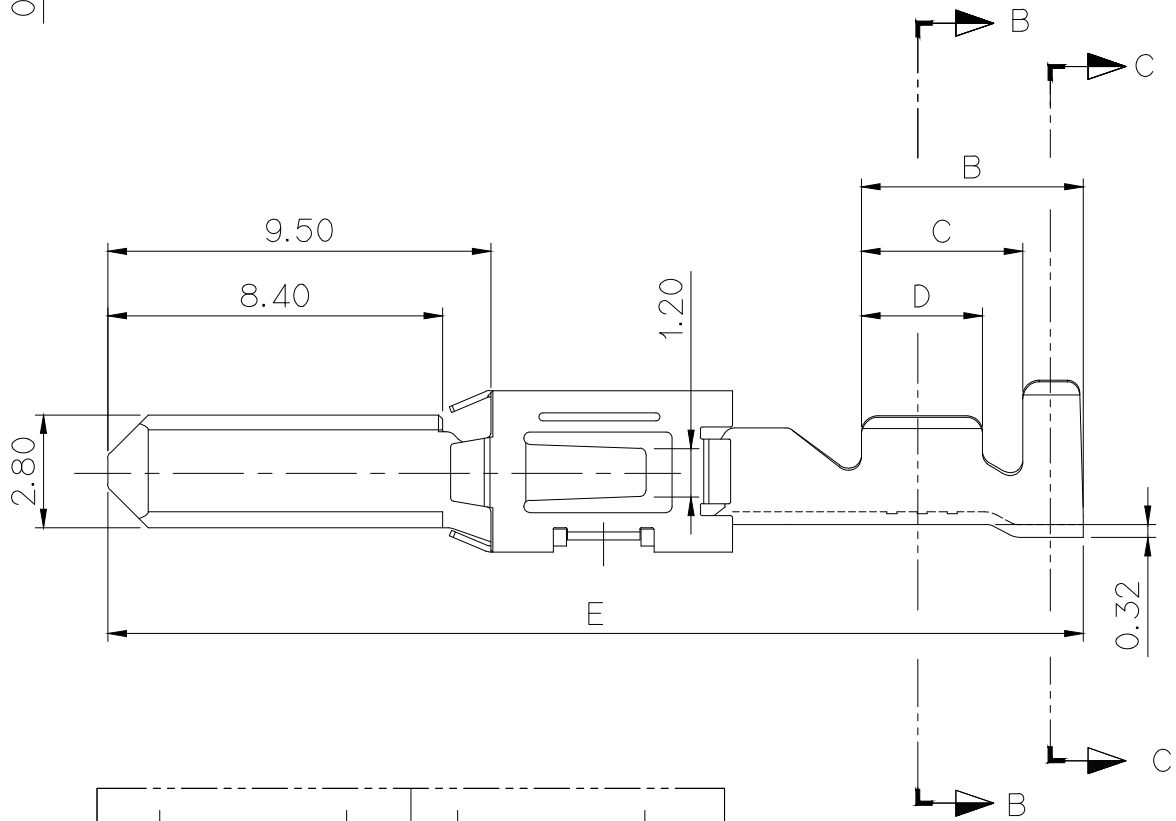
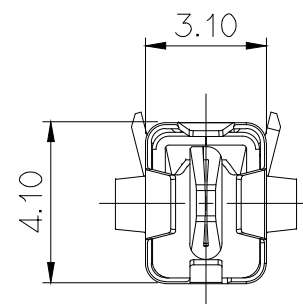
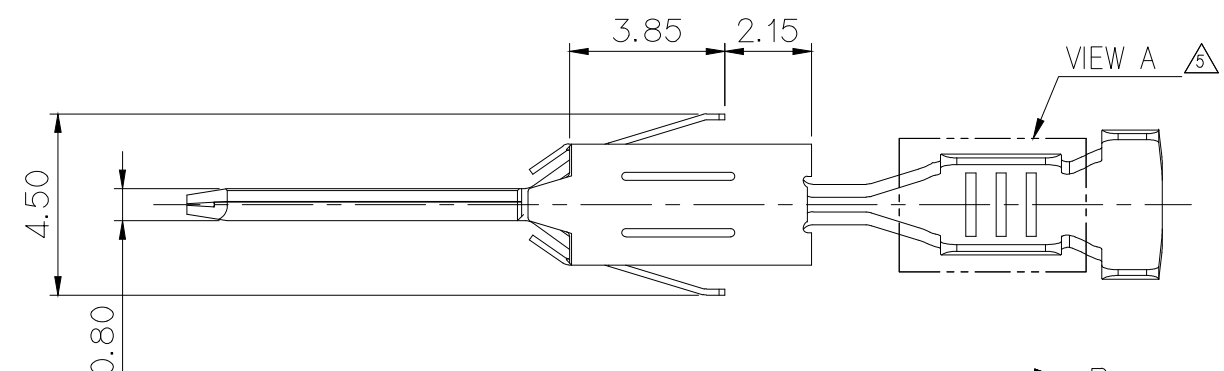
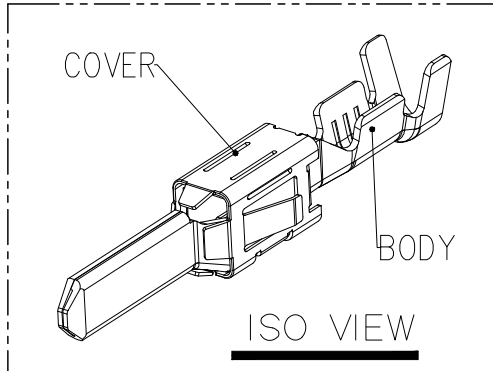
GENERAL TOLERANCE (TERMINAL)						USED ON
10 MAX	20 MAX	45 MAX	45 VR	ANGLE	ECCENT	SEE NOTE
±0.2	±0.25	±0.3	±0.5	±30'	0.1	

주 기

- 지시없는 R=0.10으로 한다.
- 기능상 유해한 변형 및 BURR가 없을 것.
- 적용 상대 FEMALE TERMINAL: ST731426-3(S), ST731425-3(M), ST731424-3(L), ST731482-3(M), ST731495-3(ML), ST731483-3(L), ST731423-3(XL), ST731423-4(XL), ST731469-4(XL)
- 제품내 함유된 6대 유해물질 (납, 수은, 카드뮴, 6가크롬, PBBs, PBDEs)은 EU ELV 지침 및 RoHS 법규에서 지정한 최대 허용 농도를 초과해서는 안된다.

NOTE

- UNLESS OTHERWISE SPECIFIED ALL RADII TO BE 0.10 RADIUS
- MUST BE FREE OF BURR AND TRANSFORM THAT AFFECT FUNCTION.
- APPLICABLE FEMALE TERMINAL: ST731426-3(S), ST731425-3(M), ST731424-3(L), ST731482-3(M), ST731495-3(ML), ST731483-3(L), ST731423-3(XL), ST731423-4(XL), ST731469-4(XL)
- 6 HAZARDOUS SUBSTANCES IN PARTS (LEAD, MERCURY, CADMIUM, HEXAVALENT CHROMIUM, PBBs, PBDEs) SHOULD NOT EXCEED THE MAXIMUM PERMISSIBLE CONCENTRATION PRESCRIBED UNDER EU ELV DIRECTIVE & RoHS REGULATION.



N110 MALE TML
(SCALE: 1/1)

APPROVED
2021-01-07
KOREA ELECTRIC
TERMINAL CO., LTD.
Korea Electric Terminal Co., LTD.

ISSUE MARK

6	ECO-2004-014 근거 도면 작성 은도금 사양 표상사항 변경에 따른 품번 이원화	HJE	CKY	20.04.06
5	ECO-1909-108 근거 도면 수정 알루미늄 세레이션 형상 CU도면 추가	JKH	CKY	19.11.27
4	ECO-1811-414 근거 도면 작성 (AVSSXF 1.0, 1.5 전선 사양 추가)	LJH	LSY	18.11.26
3	ECO-1806-369 근거 도면 작성 (CIVUS 0.35+0.35 전선 사양 추가)	LSY	SUK	18.06.26
2	ECO-1805-193 근거 도면 작성 알루미늄 사양 추가	HJE	SUK	18.05.30
1	ECO-1712-053 근거 도면 작성 XL 은도금사양 및 시전선전용 Modify 개발	HJE	CMS	17.12.05
0	RELEASE	HJE	LJE	17.03.27
LTR	REVISION RECORD	DR.	CHK.	APP.
DR.	HJE, 17.03.27	CHK.	CMS, 17.03.27	
CHK.		APP.	LJE, 17.03.27	

MATERIAL	Body: Copper Alloy Cover: STS	KET KOREA ELECTRIC ENGINEERED TERMINAL CO., LTD.
FINISH	Body: SEE TABLE Cover: NONE	
WIRE RANGE	SEE TABLE	CLASS 110(280)
INSULATION	SEE TABLE	TYPE 비방수
TOLERANCE EXCEPT AS NOTED	SEE TABLE	SCALE 5/1
PART NAME	N110 MALE TERMINAL	

DIMENSIONS IN MM