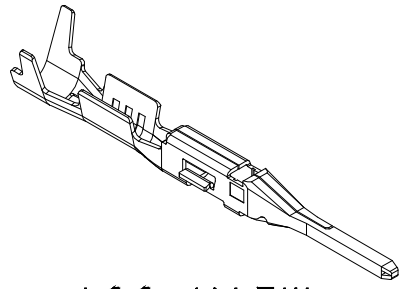


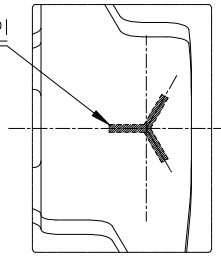
PART NO. Δ SEE TABLE

CUSTOMER DRAWING



ISO VIEW

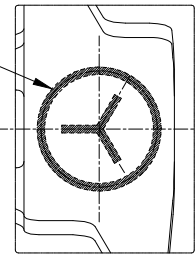
단자 배면 KET LOGO 각인



Δ DETAIL C

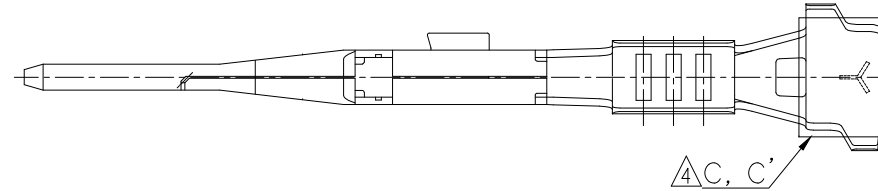
SCALE 10/1
(ST741379-3, ST741379-G,
ST741378-3, ST741378-G)

단자 배면 KET LOGO 각인

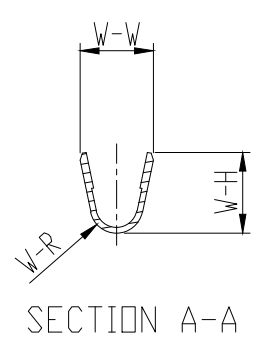
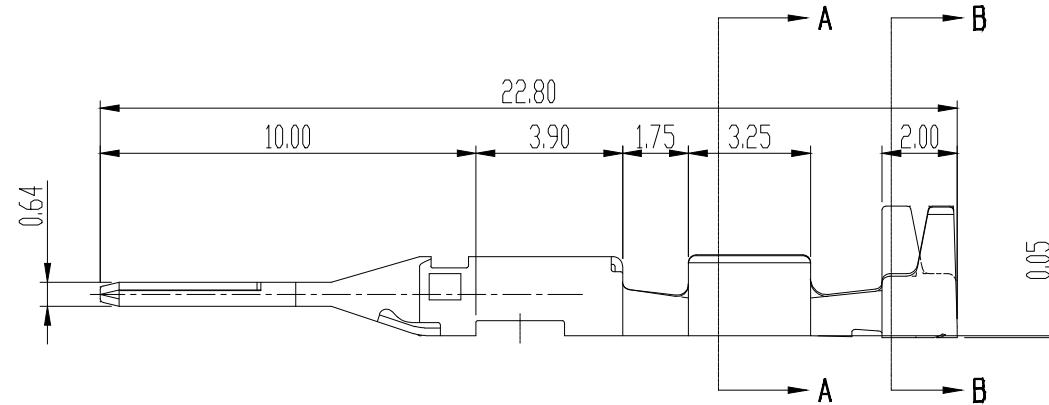
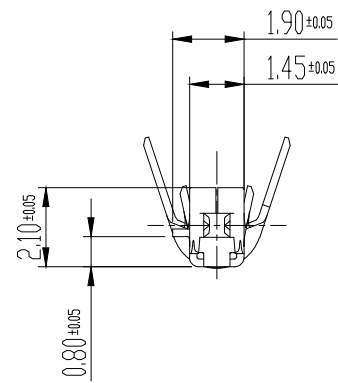


Δ DETAIL C'

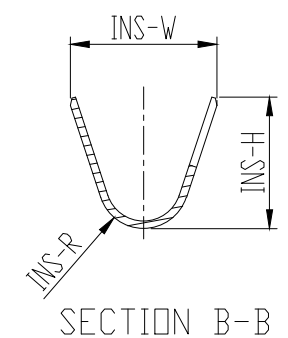
SCALE 10/1
(ST741379-7, ST741378-7)



Δ A-C, C'

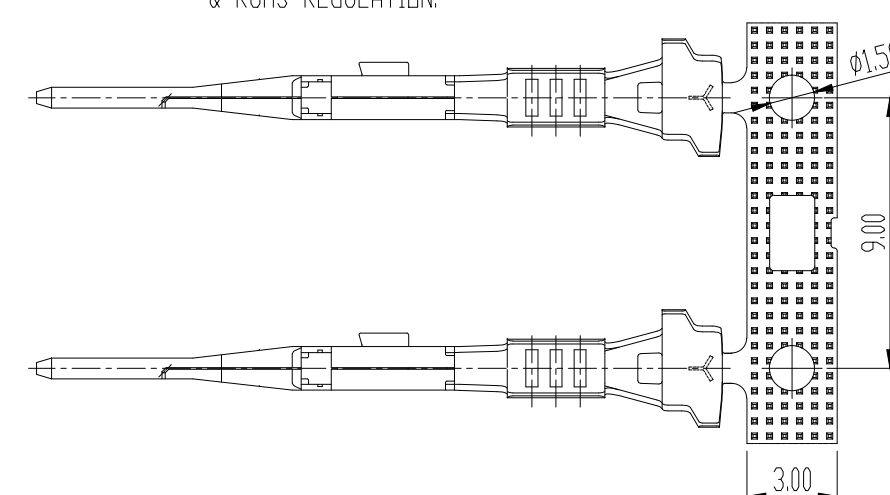


SECTION A-A



SECTION B-B

PART NO	처 리	도금
ST741379-3	Cu 하지도금 : 0.3 - 0.8 μ m	Pre-Tin
ST741378-3	광택 석도금	
Δ ST741379-7	Cu 하지도금 : 0.3 - 0.8 μ m	Pre-Tin LFP
Δ ST741378-7	저마찰 도금	
ST741379-G	Ni 하지도금 : Ni 1.0 - 2.0 μ m	Au
ST741378-G	Au 도금 : Min. 0.38 μ m	
ST741378-G	Sn 도금 : Min. 0.8 - 1.8 μ m	



C025 WP MALE TML
SCALE 4/1

GENERAL TOLERANCE (TERMINAL)					USED ON
10 MAX	20 MAX	45 MAX	ANGLE	ECCENT	
±0.2	±0.3	±0.55	±30'	0.1	

- 주기
- 지시없는 C, R= 0.30으로 한다.
 - 가능한 유해한 흠, 변형 및 BURR가 없을 것
 - 적용 WIRE SEAL : MG685516, MG685517, MG685534
 - 불소 함유 WIRE SEAL : MG685568, MG685567, MG685566
 - 적용 상대 FEMALE TERMINAL : ST731441-3, ST731442-3, Δ ST731441-G, ST731442-G, Δ ST731441-7, Δ ST731442-7
 - 제품내 함유된 6대 유해물질 (납, 수은, 카드뮴, 6가크롬, PBBs, PBDEs)은 EU ELV 지침 및 RoHS 법규에서 지정한 최대 허용 농도를 초과해서는 안된다.

- NOTES
- UNLESS OTHERWISE SPECIFIED ALL RADIUS TO BE 0.3 RADIUS AND CAMBER.
 - MUST BE FREE OF FLASH, SINK AND IMPERFECTION THAT AFFECT FUNCTION.
 - APPLICABLE WIRE SEAL : MG685516, MG685517, MG685534
 - FLUORO SILICONE WIER SEAL : MG685568, MG685567, MG685566
 - APPLICABLE FEMALE TERMINAL : ST731441-3, ST731442-3, Δ ST731441-G, ST731442-G, Δ ST731441-7, Δ ST731442-7
 - 6 HAZARDOUS SUBSTANCES IN PARTS (LEAD, MERCURY, CADMIUM, HEXAVALENT CHROMIUM, PBBs, PBDEs) SHALL NOT EXCEED THE MAXIMUM PERMISSIBLE CONCENTRATION PRESCRIBED UNDER EU ELV DIRECTIVE & RoHS REGULATION.

DIMENSIONS (IN MM)

NO	PART NO	PART NAME	W-R	W-W	W-H	INS-R	INS-W	INS-H	WIRE RANGE	WIRE SEAL	WIRE SEAL (FLUORO SILICONE)
1	ST741379-3/	C025 WP MALE TM'L(S)	0.60	1.50	1.50	1.20	3.90	3.50	AESSXF 0.22sq	MG685534	-
	Δ ST741379-G/										
	Δ ST741379-7										
2	ST741378-3/	C025 WP MALE TM'L(M)	0.70	1.95	2.15	1.20	3.90	3.50	Δ CIVUS 0.35sq	MG685534	-
	Δ ST741378-G/								AVSSXF/AESSXF 0.3	MG685516	Δ MG685568
	Δ ST741378-7								Δ CIVUS 0.5sq	MG685534	-
									AVSSXF/AESSXF 0.5sq	MG685517	Δ MG685567

LTR		REVISION RECORD		DR.	CHK.	APP.	DATE	TOLERANCE EXCEPT AS NOTED	SCALE	PART NO.	ISSUE MARK
		PSJ 17.03.07		DR.	CHK.	APP.	DATE	SEE TABLE	5/1	Δ SEE TABLE	 KOREA ELECTRIC TERMINAL CO., LTD.
		CHK. WSW 17.03.07		APP. K.H 17.03.07				SEE TABLE	5/1		
								PART_NAME	C025 WP MALE TERMINAL		

ISSUE MARK